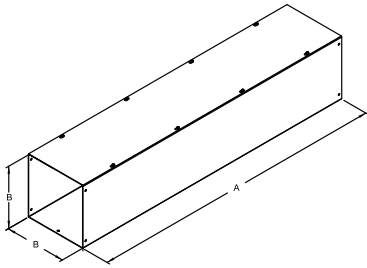


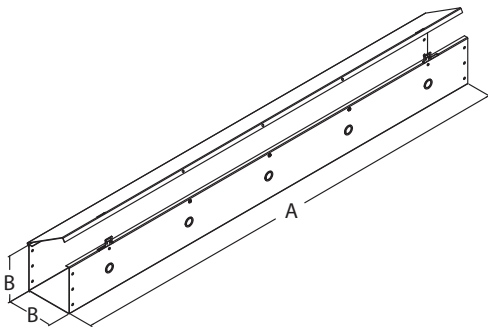
Lay In Wireway

NEMA 1



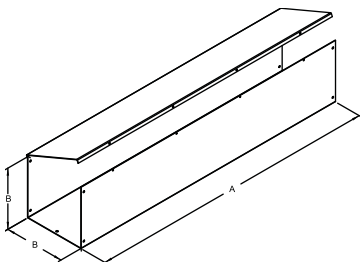
Straight Section - Screw Cover w/o Knockouts

A=12"	A=18"	A=24"	A=36"	A=48"	A=60"	A=72"	A=96"	A=120"	B
CWSC212NK	-	CWSC224NK	CWSC236NK	CWSC248NK	CWSC260NK	-	-	CWSC2120NK	2.50
CWSC412NK	CWSC418NK	CWSC424NK	CWSC436NK	CWSC448NK	CWSC460NK	CWSC472NK	-	CWSC4120NK	4.00
CWSC612NK	CWSC618NK	CWSC624NK	CWSC636NK	CWSC648NK	CWSC660NK	CWSC672NK	-	CWSC6120NK	6.00
CWSC812NK	CWSC818NK	CWSC824NK	CWSC836NK	CWSC848NK	CWSC860NK	CWSC872NK	-	CWSC8120NK	8.00
CWSC1012NK	-	CWSC1024NK	CWSC1036NK	CWSC1048NK	CWSC1060NK	CWSC1072NK	CWSC1096NK	CWSC10120NK	10.00
CWSC1212NK	-	CWSC1224NK	CWSC1236NK	CWSC1248NK	CWSC1260NK	CWSC1272NK	CWSC1296NK	CWSC12120NK	12.00



Straight Section - Hinge Cover with Knockouts

A=12"	A=24"	A=36"	A=48"	A=60"	A=72"	A=96"	A=120"	B
CWST212	CWST224	CWST236	CWST248	CWST260	CWST272	CWST296	CWST2120	2.5
CWST412	CWST424	CWST436	CWST448	CWST460	CWST472	CWST496	CWST4120	4
CWST612	CWST624	CWST636	CWST648	CWST660	CWST672	CWST696	CWST6120	6
CWST812	CWST824	CWST836	CWST848	CWST860	CWST872	CWST896	CWST8120	8



Straight Section - Hinge Cover w/o Knockouts

A=12"	A=18"	A=24"	A=36"	A=48"	A=60"	A=72"	A=96"	A=120"	B
-	CWST418NK	-	-	-	-	-	-	-	4.00
-	CWST618NK	-	-	-	-	-	-	-	6.00
-	CWST818NK	-	-	-	-	-	-	-	8.00
CWST1012NK	-	CWST1024NK	CWST1036NK	CWST1048NK	CWST1060NK	CWST1072NK	CWST1096NK	CWST10120NK	10.00
CWST1212NK	-	CWST1224NK	CWST1236NK	CWST1248NK	CWST1260NK	CWST1272NK	CWST1296NK	CWST12120NK	12.00

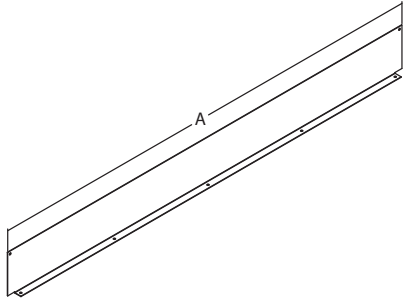
Technical references and CAD downloads available at www.hammondmfg.com

All dimensions in inches unless specified otherwise

Quality Products. Service Excellence.

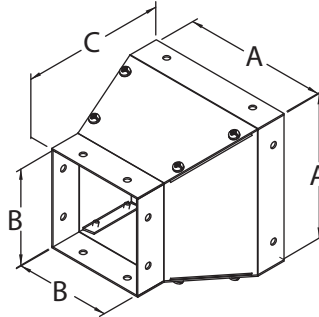
Lay In Wireway

NEMA 1



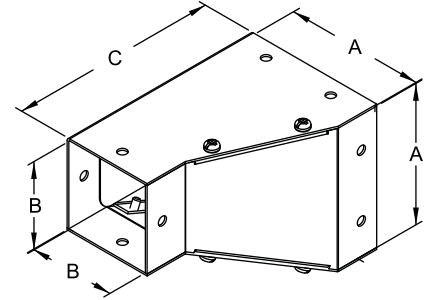
Straight Section Barrier

Part No.	A	B
CWBA260	58.88	2.5
CWBA460	58.88	4
CWBA660	58.88	6
CWBA860	58.88	8



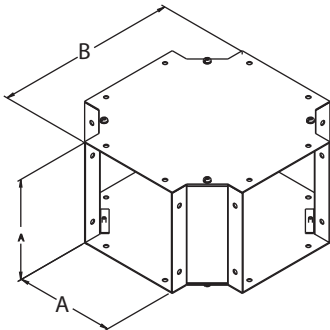
Reducer

Part No.	Size	A	B	C
CWRD42	4x4 to 2.5x2.5	4	2.5	6
CWRD64	6x6 to 4x4	6	4	6
CWRD86	8x8 to 6x6	8	6	6
CWRD108	10x10 to 8x8	10	8	6
CWRD128	12x12 to 8x8	12	8	6
CWRD1210	12x12 to 10x10	10	10	6



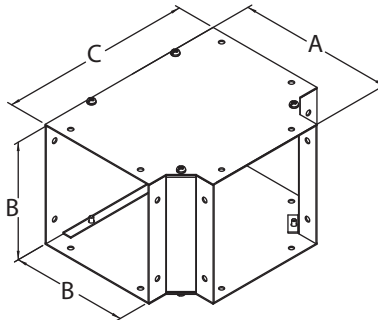
Corner Reducer

Part No.	Size	A	B	C
CWCRD42	4x4 to 2.5x2.5	4	2.5	6
CWCRD64	6x6 to 4x4	6	4	6
CWCRD86	8x8 to 6x6	8	6	6



Cross Fitting

Part No.	A	B
CWCF2	2.5	7.5
CWCF4	4	9
CWCF6	6	11
CWCF8	8	13
CWCF10	10	15
CWCF12	12	17



Tee Fitting

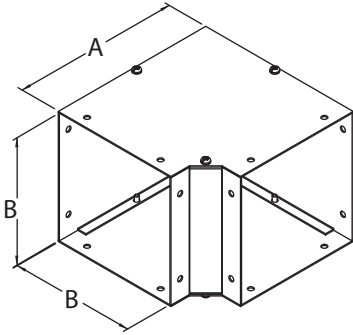
Part No.	A	B	C
CWTF2	4.5	2.5	6.386
CWTF4	6	4	7.886
CWTF6	8	6	9.886
CWTF8	10	8	11.856
CWTF10	12	10	13.856
CWTF12	14	12	15.856

Wireway & Trough

Lay-In Wireway

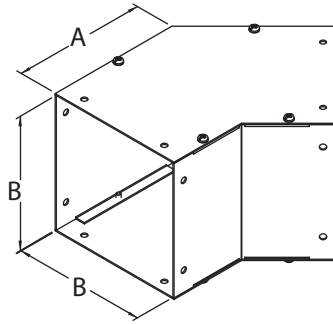
Lay In Wireway

NEMA 1

Wireway & Trough


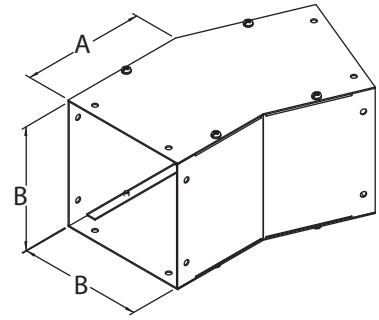
Elbow 90°

Part No.	A	B
CWEL290	4.5	2.5
CWEL490	6	4
CWEL690	8	6
CWEL890	10	8
CWEL1045	10	10
CWEL1245	12	12



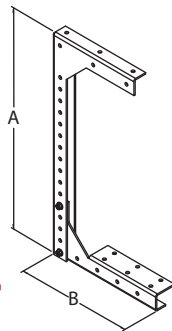
Elbow 45°

Part No.	A	B
CWEL245	2.5	2.5
CWEL445	4	4
CWEL645	6	6
CWEL845	8	8
CWEL1090	12	10
CWEL1290	14	12



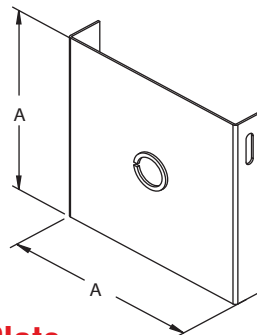
Elbow 22.5°

Part No.	A	B
CWEL222	2.5	2.5
CWEL422	4	4
CWEL622	6	6
CWEL822	8	8

Lay-In Wireway


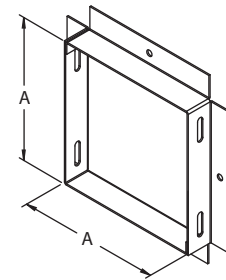
Bracket Hanger Ceiling Type

Part No.	A (max.)	B
CWHD2	12	6.625
CWHD4	15	8.125
CWHD6	19	10.125
CWHD8	23	12.125
CWHD10	27	14.125
CWHD12	31	16.125



Closing Plate

Part No.	A	Knockout
CWCP2	2.4	1.75
CWCP4	3.9	1.75
CWCP6	5.9	1.75
CWCP8	7.9	1.75
CWCP10	9.9	1.75
CWCP12	11.9	1.75

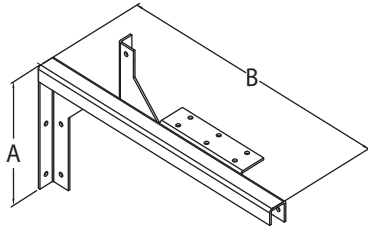


Adapter (Box Connector)

Part No.	A
CWAD2	2.4
CWAD4	3.9
CWAD6	5.9
CWAD8	7.9
CWAD10	9.9
CWAD12	11.9

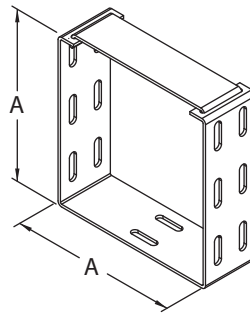
Lay In Wireway

NEMA 1



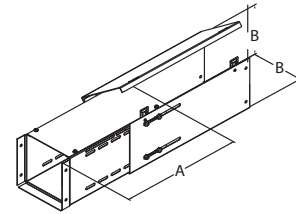
Bracket Hanger Wall Type

Part No.	A	B
CWHW2	4.625	12
CWHW4	6.125	15
CWHW6	8.125	19
CWHW8	10.125	23
CWHW10	12.125	27
CWHW12	14.125	36



Joiner

Part No.	A	Part No.	A
CWJO2	2.5	CWJO8	8.0
CWJO4	4.0	CWJO10	10
CWJO6	6.0	CWJO12	12



Telescope Fitting

Part No.	A	B
CWTL2	14	2.5
CWTL4	14	4
CWTL6	14	6
CWTL8	14	8
CWTL10	14	10
CWTL12	14	12

Wireway & Trough

Lay-In Wireway