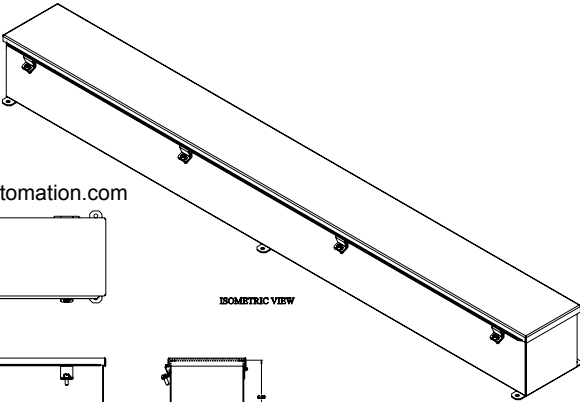
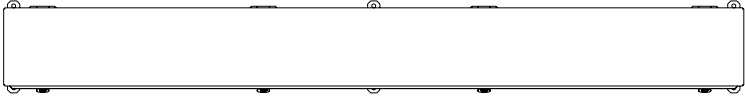
 **PART No. 1486D60**  
Data subject to change without notice  
Isometric drawing Not to Scale

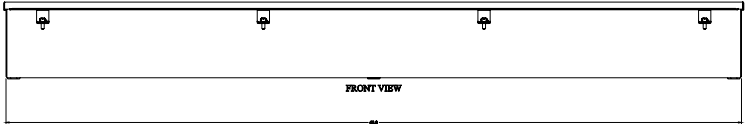
Gross Automation (877) 268-3700 · [www.hammondenclosuresales.com](http://www.hammondenclosuresales.com) · [sales@grossautomation.com](mailto:sales@grossautomation.com)



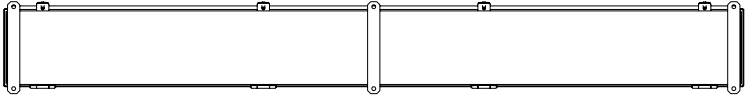
ISOMETRIC VIEW



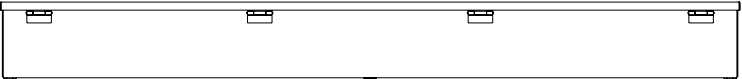
TOP VIEW



FRONT VIEW



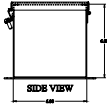
BOTTOM VIEW



BACK VIEW



SIDE VIEW



SIDE VIEW