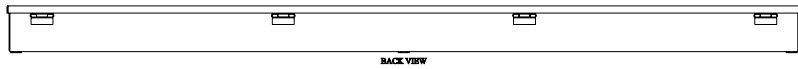
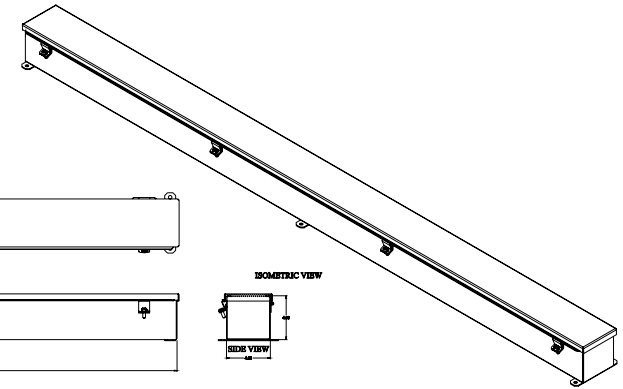


Gross Automation (877) 268-3700 · www.hammondenclosuresales.com · sales@grossautomation.com



PART No. 1486C72

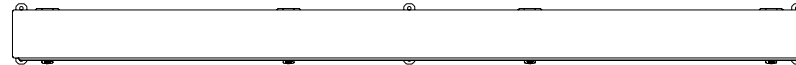
Data subject to change without notice
Isometric drawing Not to Scale



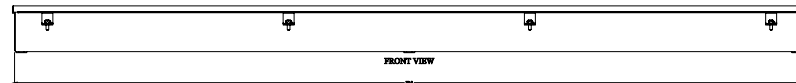
BACK VIEW



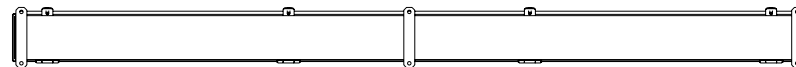
SIDE VIEW



TOP VIEW



FRONT VIEW



BOTTOM VIEW



ISOMETRIC VIEW

SIDE VIEW