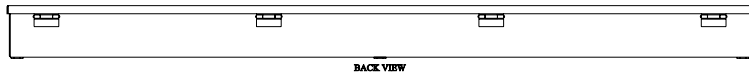


Gross Automation (877) 268-3700 · www.hammondenclosuresales.com · sales@grossautomation.com



**PART No. 1486C60**

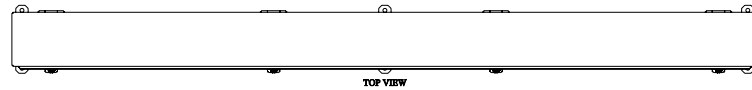
Data subject to change without notice  
Isometric drawing Not to Scale



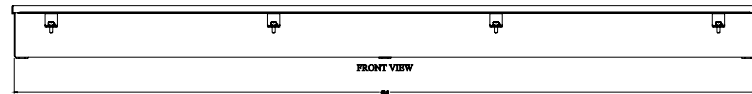
BACK VIEW



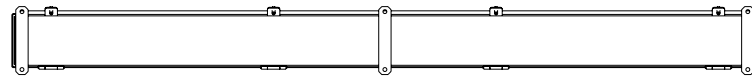
SIDE VIEW



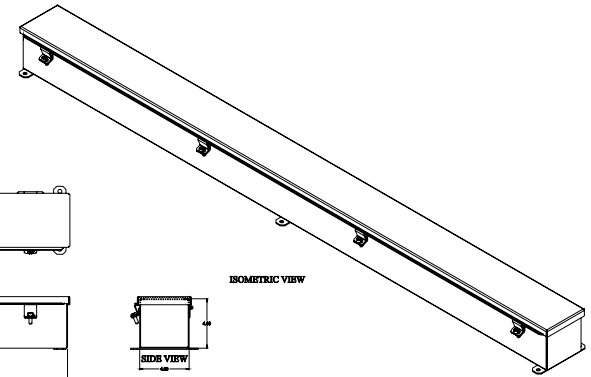
TOP VIEW



FRONT VIEW



BOTTOM VIEW



ISOMETRIC VIEW



SIDE VIEW