

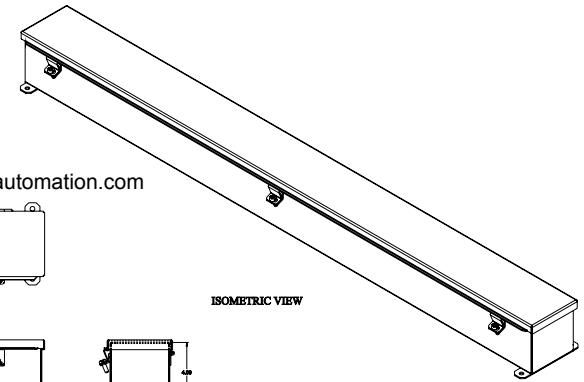


PART No. 1486C48

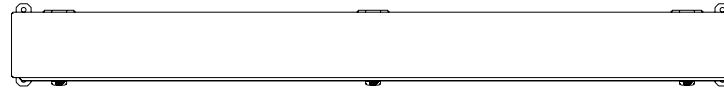
Data subject to change without notice

Isometric drawing Not to Scale

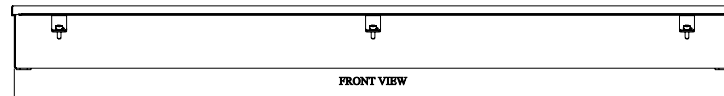
Gross Automation (877) 268-3700 · www.hammondenclosuresales.com · sales@grossautomation.com



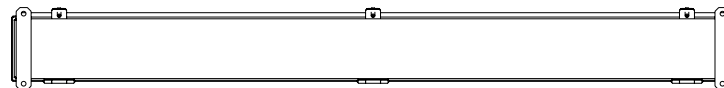
ISOMETRIC VIEW



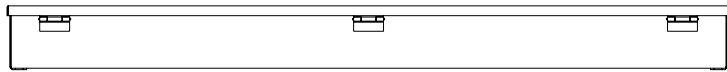
TOP VIEW



FRONT VIEW



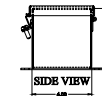
BOTTOM VIEW



BACK VIEW



SIDE VIEW



SIDE VIEW