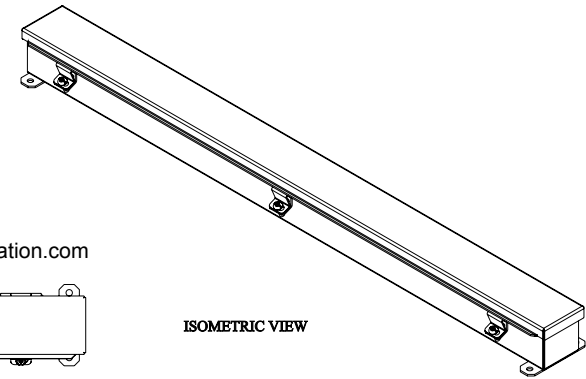


PART No. 1486B36

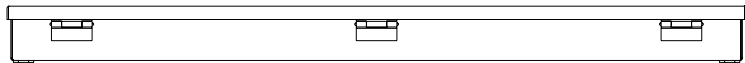
Data subject to change without notice

Isometric drawing Not to Scale

Gross Automation (877) 268-3700 · www.hammondenclosuresales.com · sales@grossautomation.com



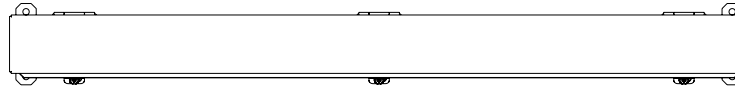
ISOMETRIC VIEW



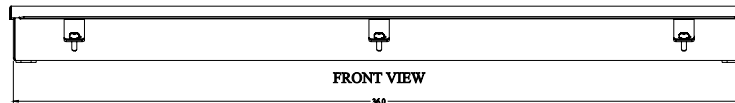
BACK VIEW



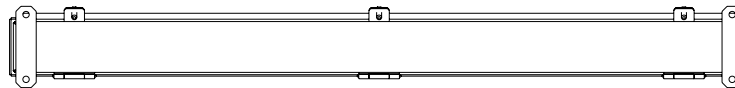
SIDE VIEW



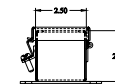
TOP VIEW



FRONT VIEW



BOTTOM VIEW



SIDE VIEW