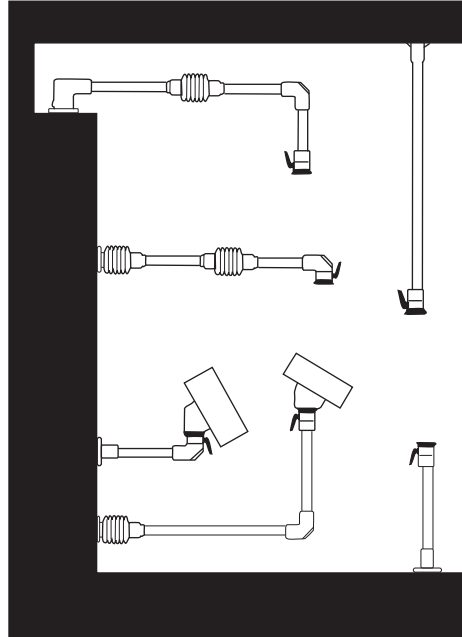
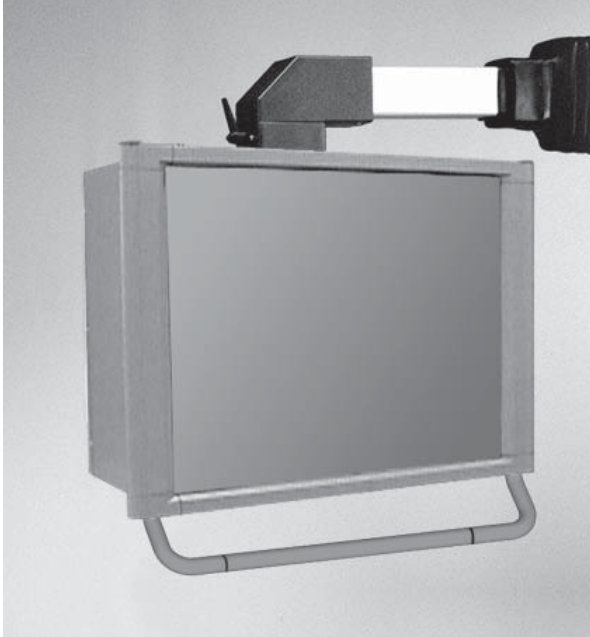


## Suspension Systems - NEMA 12, 13

Heavy Duty 50 mm or 80 mm

Operator Interface Enclosure



### Application

- Command 50mm and 80mm enclosure suspension systems are designed for medium and heavy loads.
- The strength of square tube and cast fittings provide a highly flexible, robust system.

### Standards

- **Complies with**
  - IEC 60529, IP 54

### Construction

- Enclosure coupling and elbow coupling fittings are die-cast from G Al Si 12 aluminum.
- All other fittings are die-cast 4G-s.g. iron.
- Suspension tubing is steel.

### Finish

- Fittings are finished in RAL 7040 window gray powder coating.
- Suspension tubing is RAL 7035 light gray powder coating.

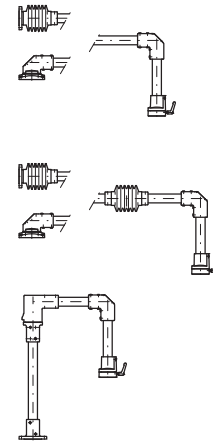
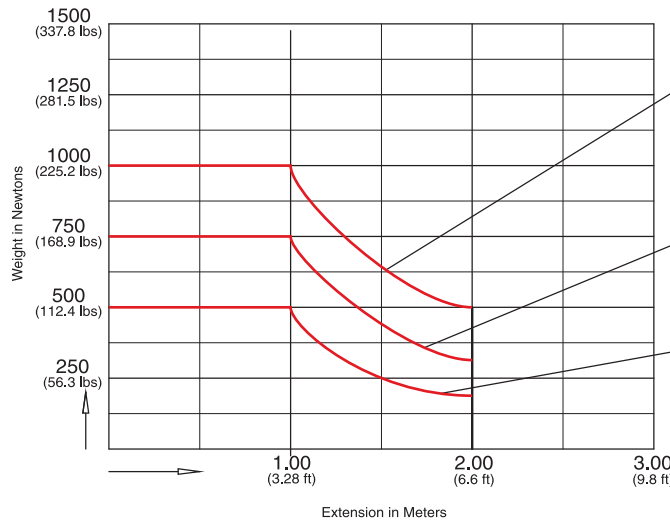
Suspension System

# Suspension Systems - NEMA 12, 13

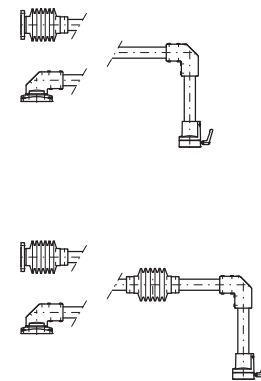
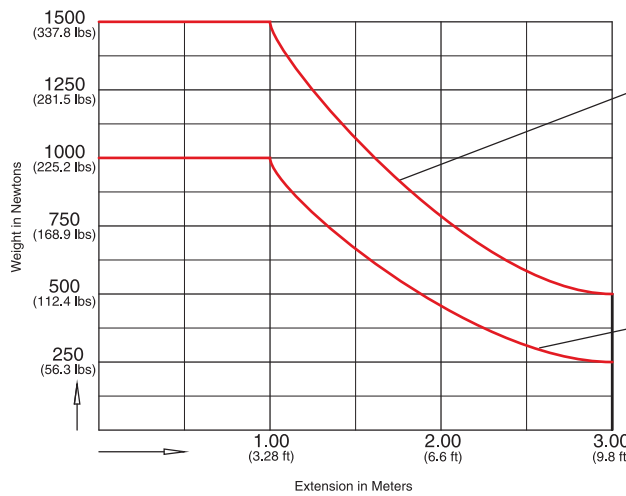
Heavy Duty 50 mm or 80 mm

Operator Interface Enclosure

## Load Capacity for 50mm



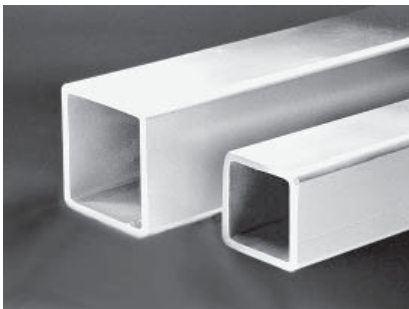
## Load Capacity for 80mm



### Measurement Conversions

**1 kg = 9.81 N**      **1 lb = 4.44 N**  
 e.g. 500 Newtons = 51 kg = 112.4 lbs  
 300 Newtons = 30.6 kg = 67.4 lbs  
 100 Newtons = 10.2 kg = 22.5 lbs  
**1 foot = 0.305 m**

Suspension System



## Suspension Tube

| Part No.      | Outside mm | Inside mm | Tolerance | Length |      | Ship Wt. lbs |
|---------------|------------|-----------|-----------|--------|------|--------------|
|               |            |           |           | Metres | Feet |              |
| R144-021-000R | 50         | 40        | ±0.5      | 1      | 3.28 | 17           |
| R144-022-000R | Square     |           |           | 2      | 6.56 | 26           |
| R144-041-000R | 80         | 70        | ±0.6      | 1      | 3.28 | 21           |
| R144-042-000R | Square     |           |           | 2      | 6.56 | 33           |

Technical references and CAD downloads available at [www.hammondmfg.com](http://www.hammondmfg.com)

All dimensions in inches unless specified otherwise

**Quality Products. Service Excellence.**

## Suspension Systems - NEMA 12, 13

Heavy Duty 50 mm or 80 mm Components

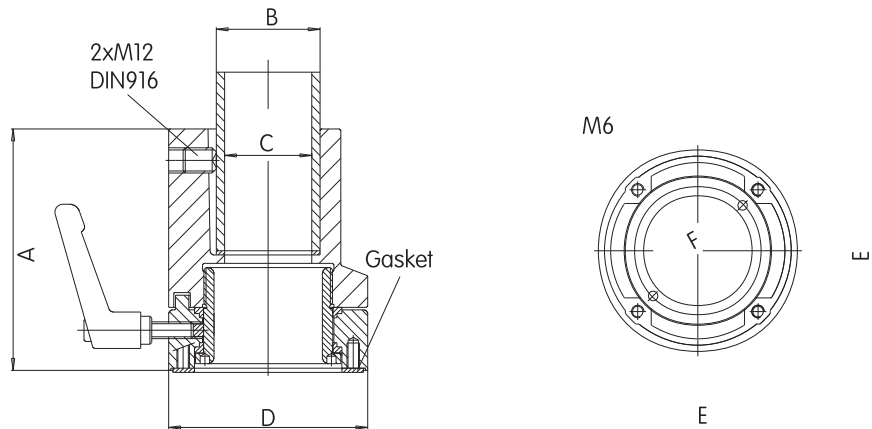
Operator Interface Enclosure



### Enclosure Coupling

- Cast aluminum.
- Large thrust flange.
- Fastens with 4 hex socket screws.
- Adjustable torque resistance.
- Features a rotation range of 300°.

| Part No.      | System | A    | B    | C    | D    | E    | F    | Ship Wt. lbs. |
|---------------|--------|------|------|------|------|------|------|---------------|
| R147-025-000R | in 50  | 4.53 | 1.97 | 1.65 | 3.78 | 2.28 | 2.06 | 3             |
|               | mm     | 115  | 50   | 42   | 96   | 58   | 52.3 |               |
| R147-025-200R | in 80  | 5.71 | 3.15 | 2.83 | 5.47 | 3.42 | 3.35 | 7             |
|               | mm     | 145  | 80   | 72   | 139  | 87   | 85   |               |



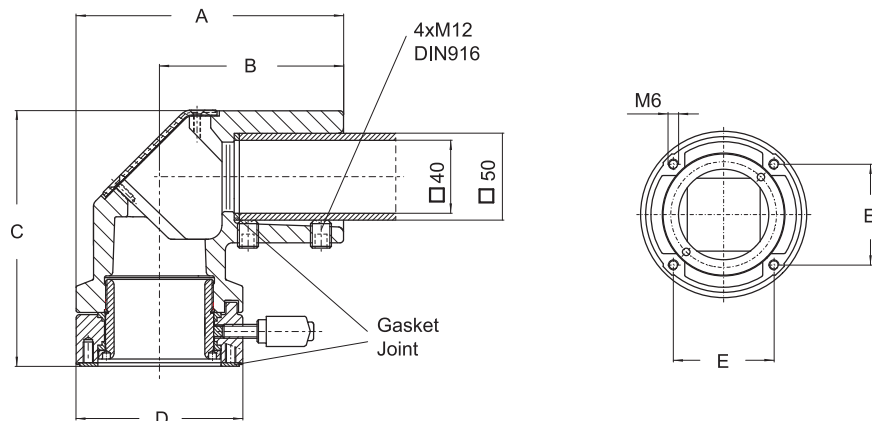
Suspension System



### Elbow Coupling

- Cast Aluminum
- Large thrust flange.
- Fastens with 4 hex socket screws.
- Adjustable torque resistance.
- Features a rotation range of 300°.

| Part No.      | System | A     | B    | C    | D    | E    | Ship Wt. lbs. |
|---------------|--------|-------|------|------|------|------|---------------|
| R147-035-000R | in 50  | 6.06  | 4.17 | 5.79 | 3.78 | 2.28 | 5             |
|               | mm     | 154   | 106  | 147  | 96   | 58   |               |
| R147-035-200R | in 80  | 8.21  | 5.47 | 7.48 | 5.47 | 3.43 | 15            |
|               | mm     | 208.5 | 139  | 190  | 139  | 87   |               |



## Suspension Systems - NEMA 12, 13

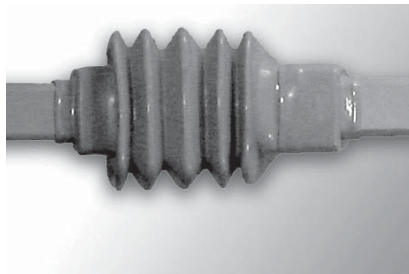
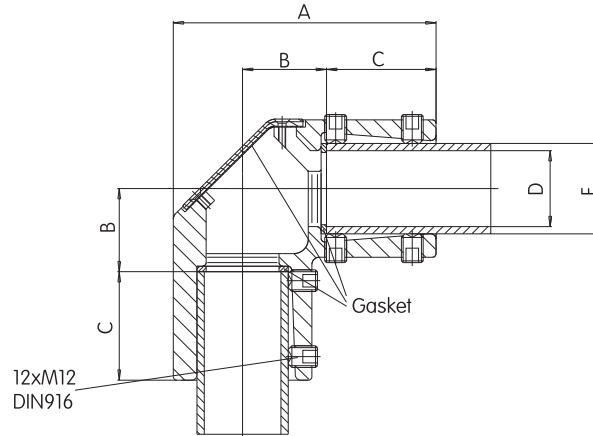
### Heavy Duty 50 mm or 80 mm Components

**Operator Interface Enclosure**


### Elbow

- Cast Aluminum
- Large cover opening for easier cable pull through.

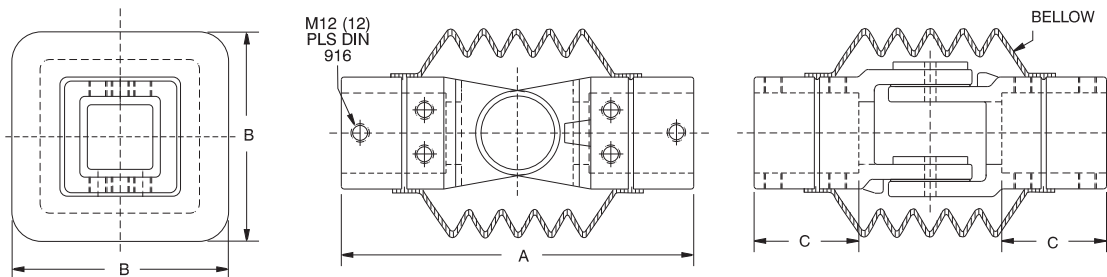
| Part No.             | System | A  | B    | C    | D    | E    | Ship Wt. lbs. |   |
|----------------------|--------|----|------|------|------|------|---------------|---|
| <b>R147-020-000R</b> | in     | 50 | 5.67 | 1.81 | 2.36 | 1.57 | 1.97          | 3 |
|                      | mm     |    | 144  | 46   | 60   | 40   | 50            |   |
| <b>R147-020-200R</b> | in     | 80 | 7.60 | 2.20 | 3.27 | 2.76 | 3.15          | 6 |
|                      | mm     |    | 193  | 56   | 83   | 70   | 80            |   |



### Intermediate Joint

- 4G-s.g. cast iron.
- Integrated movement stop.
- One piece bellow.
- Two sleeves.
- Features a rotation range of 170°.

| Part No.             | System | A  | B     | C    | Ship Wt. lbs. |    |
|----------------------|--------|----|-------|------|---------------|----|
| <b>R147-015-000R</b> | in     | 50 | 9.29  | 5.83 | 2.76          | 9  |
|                      | mm     |    | 236   | 148  | 70            |    |
| <b>R147-015-200R</b> | in     | 80 | 12.60 | 7.48 | 3.70          | 24 |
|                      | mm     |    | 320   | 190  | 94            |    |


**Suspension System**

 Technical references and CAD downloads available at [www.hammondmfg.com](http://www.hammondmfg.com)

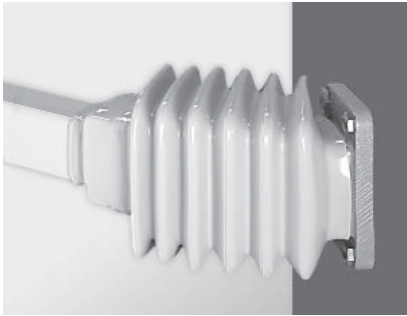
All dimensions in inches unless specified otherwise

**Quality Products. Service Excellence.**

# Suspension Systems - NEMA 12, 13

## Heavy Duty 50 mm or 80 mm Components

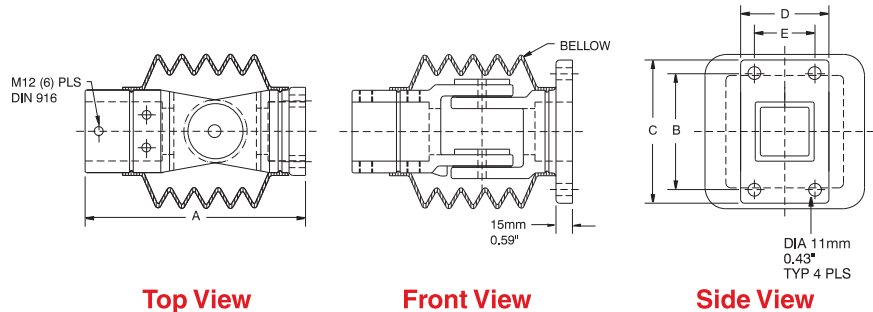
Operator Interface Enclosure



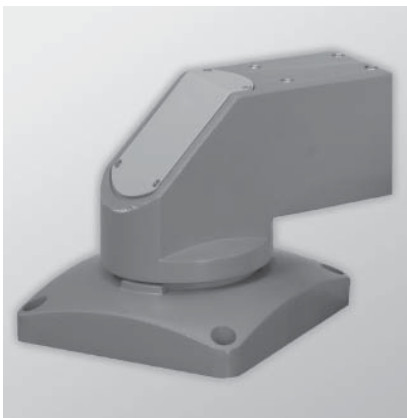
### Wall Joint

- 4G-s.g. cast iron.
- Integrated movement stop.
- One piece bellow.
- Two sleeves.
- Features a rotation range of 170°.

| Part No.      | System | A  | B     | C    | D    | E    | Ship Wt. lbs. |
|---------------|--------|----|-------|------|------|------|---------------|
| R147-010-000R | in     | 50 | 8.27  | 4.13 | 5.12 | 3.15 | 2.17          |
|               | mm     |    | 210   | 105  | 130  | 80   | 55            |
| R147-010-200R | in     | 80 | 10.83 | 5.91 | 6.89 | 4.53 | 3.54          |
|               | mm     |    | 275   | 150  | 175  | 115  | 90            |



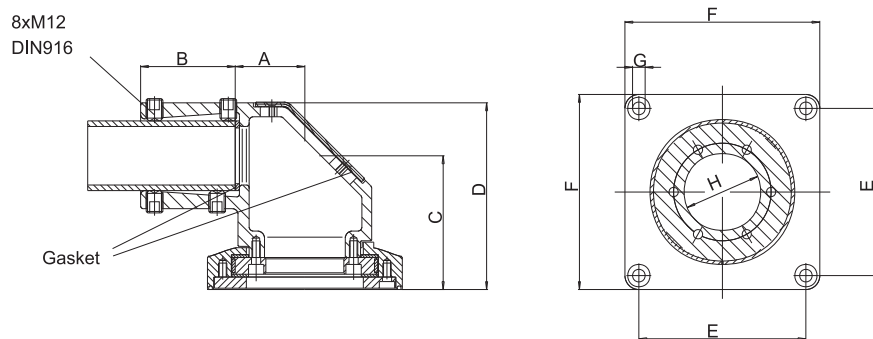
Suspension System



### Socket Joint

- Cast Aluminum.
- Integrated movement stop.
- Service free bearings.
- Features a rotation range of 300°.
- Can mount on top of machine or inverted.

| Part No.      | System | A  | B    | C    | D     | E     | F    | G    | H   | Ship Wt. lbs. |
|---------------|--------|----|------|------|-------|-------|------|------|-----|---------------|
| R147-005-000R | in     | 50 | 1.97 | 2.68 | 3.78  | 5.28  | 4.72 | 5.51 | .35 | 2.17          |
|               | mm     |    | 50   | 68   | 96    | 134   | 120  | 140  | 9   | 55            |
| R147-005-200R | in     | 80 | 2.91 | 3.86 | 5.57  | 7.70  | 7.09 | 8.27 | .51 | 3.30          |
|               | mm     |    | 74   | 98   | 141.5 | 195.5 | 180  | 210  | 13  | 84            |



# Suspension Systems - NEMA 12, 13

## Heavy Duty 50 mm or 80 mm Components

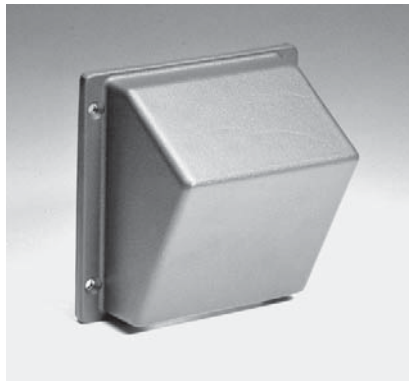
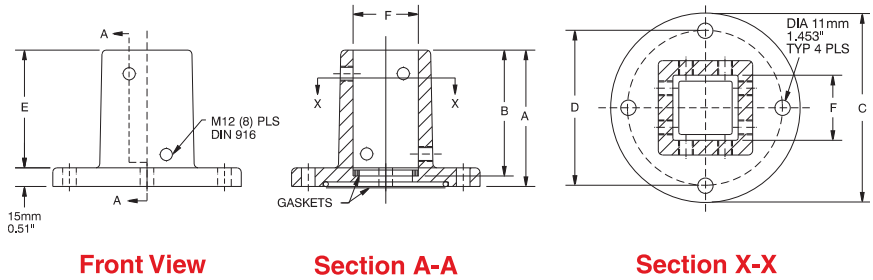
Operator Interface Enclosure



### Cast Iron Base

- 4G-s.g. cast iron.
- Gasket included.
- Does not rotate.

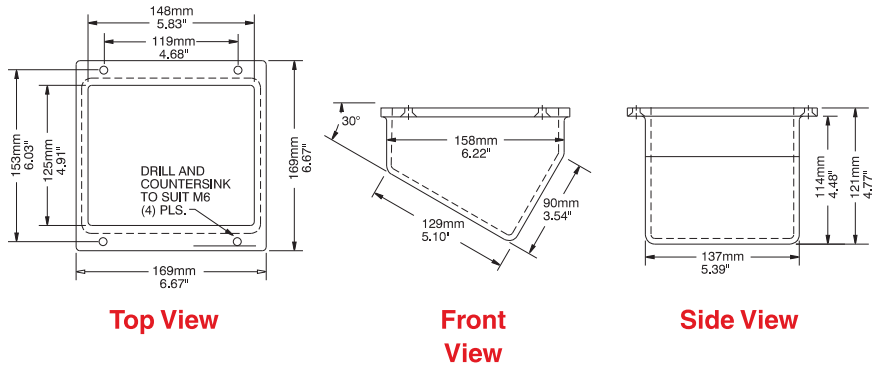
| Part No.      | System | A  | B    | C    | D    | E    | F    | Ship Wt. lbs. |
|---------------|--------|----|------|------|------|------|------|---------------|
| R147-030-000R | in     | 50 | 4.33 | 3.94 | 5.98 | 4.92 | 3.74 | 1.97          |
|               | mm     |    | 110  | 100  | 152  | 125  | 95   | 50            |
| R147-030-200R | in     | 80 | 5.51 | 5.12 | 7.87 | 6.81 | 4.92 | 3.15          |
|               | mm     |    | 140  | 130  | 200  | 173  | 125  | 80            |



### Slope Adaptor

- Provides 30° or 60° incline by mounting to rear of enclosure.
- Cast aluminum.

| Part No.      | Ship Wt. lbs. |
|---------------|---------------|
| R140-045-000R | 8             |



Suspension System

Technical references and CAD downloads available at [www.hammondmfg.com](http://www.hammondmfg.com) All dimensions in inches unless specified otherwise