

# Series 2000 Modular Console System - NEMA 12, 4, 4X

## External Components

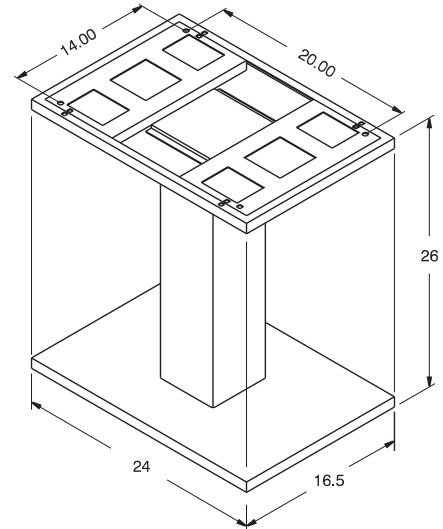
Operator Interface Enclosure



### Pedestal

- Maintains NEMA rating of system.
- Formed 14 gauge steel.
- Also offered with formed 14 gauge stainless steel.
- Stiffeners added for solid stability.
- Open top and bottom provides an unobstructed wireway for pull through cabling.
- Can be mounted directly on floor or on a plinth.
- Available in light gray and natural stainless steel.

Part No.	Finish
2CLS	RAL 7035 Light Gray
2CSS	Stainless Steel

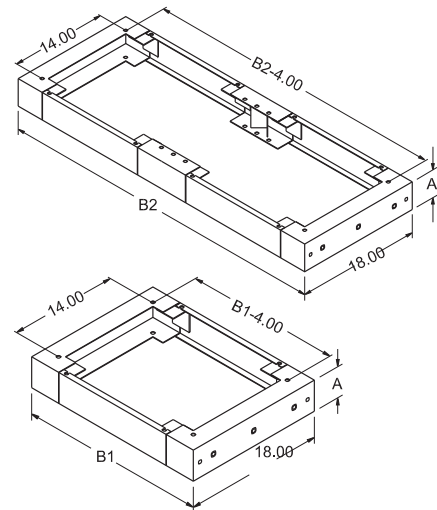


Modular Console System



### Modular Plinth

- Features removable front and rear panels for easy access to bottom for cabling or transport by forklift.
- For cable access, features 3 double knockouts on each end. (**NOTE:** not on stainless steel version)
- Available in 4" and 8" heights.
- Available in 24", 36", 48" and 60" widths.
- Maintains NEMA rating of system.
- Formed 14 gauge steel.
- Also offered with formed 14 gauge stainless steel.
- Available in light gray and natural stainless steel.

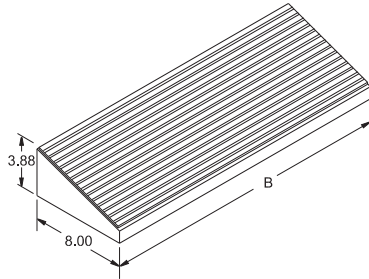


RAL 7035 Light Gray Part No.	Stainless Steel Part No.	A	B1	B2
2CLP42418	2CSP42418	4	24	—
2CLP43618	2CSP43618	4	36	—
2CLP44818	2CSP44818	4	—	48
2CLP46018	2CSP46018	4	—	60
2CLP82418	2CSP82418	8	24	—
2CLP83618	2CSP83618	8	36	—
2CLP84818	2CSP84818	8	—	48
2CLP86018	2CSP86018	8	—	60

## Series 2000 Modular Console System - NEMA 12, 4, 4X

### External Components

Operator Interface Enclosure



### Footrest

- Generally used in combination with plinth.
- Provides a raised foot support to relieve back stress.
- Gives the installation a "finished" appearance.
- Available in 24", 36", 48" and 60" widths.
- Maintains NEMA rating of system.
- Formed 14 gauge steel.
- Also offered with formed 14 gauge stainless steel.
- Rubber tread for added traction on footrest surface.
- Available in light gray and natural stainless steel.

RAL 7035 Light Gray Part No.	Stainless Steel Part No.	B
<b>2CLF24</b>	<b>2CSF24</b>	24
<b>2CLF36</b>	<b>2CSF36</b>	36
<b>2CLF48</b>	<b>2CSF48</b>	48
<b>2CLF60</b>	<b>2CSF60</b>	60

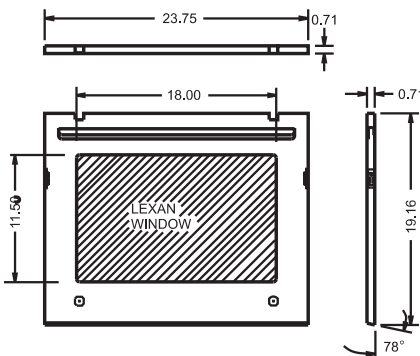


### Data Terminal Extension Ring

- Formed 14 gauge steel.
- Adds 6" to Data Terminal Depth.
- Maintains NEMA rating.
- Utilizes door from Data Terminal.
- Fastens flush to back of Data Terminal.
- Available in light gray and natural stainless steel.

Part No.	Finish
<b>2CLD24X</b>	RAL 7035 Light Gray
<b>2CSD24X</b>	Stainless Steel

Modular Console System



### Turret/Terminal Window Door

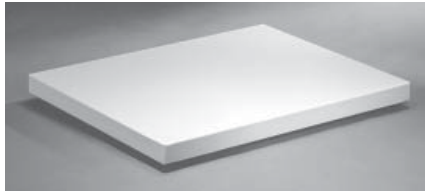
- Maintains the NEMA rating of the enclosure.
- Constructed of 14 gauge steel and lexan window.
- Easy field installation.
- Fits Standard Turret, Deep Turret, and Data Terminal.
- Offered in 24" width only.
- Available in light gray and natural stainless steel.

Part No.	Finish
<b>2CLTW24</b>	RAL 7035 Light Gray
<b>2CSTW24</b>	Stainless Steel

# Series 2000 Modular Console System - NEMA 12, 4, 4X

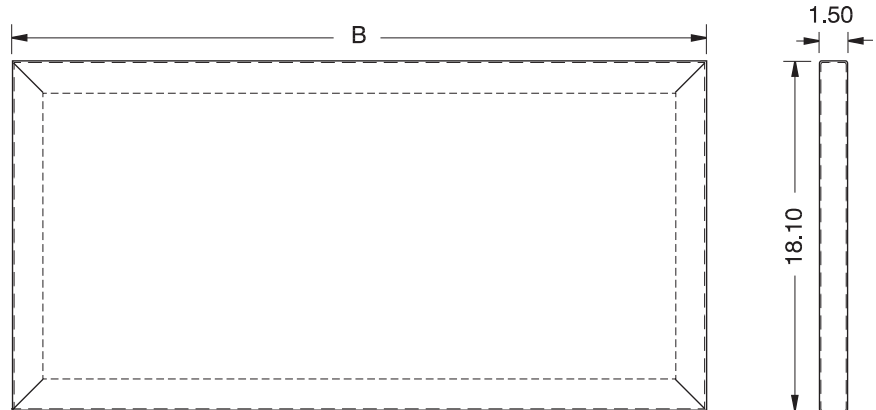
## External Components/Internal Accessories

Operator Interface Enclosure



### Base Cover

- Should be used to close top opening (of either single or dual access) base when no other components are mounted on the base's top.
- Constructed of 14 gauge steel.
- Available light gray and natural stainless steel.
- Can also be used on the underside of a Standard Desk Unit, Standard Turret and Data Terminal.

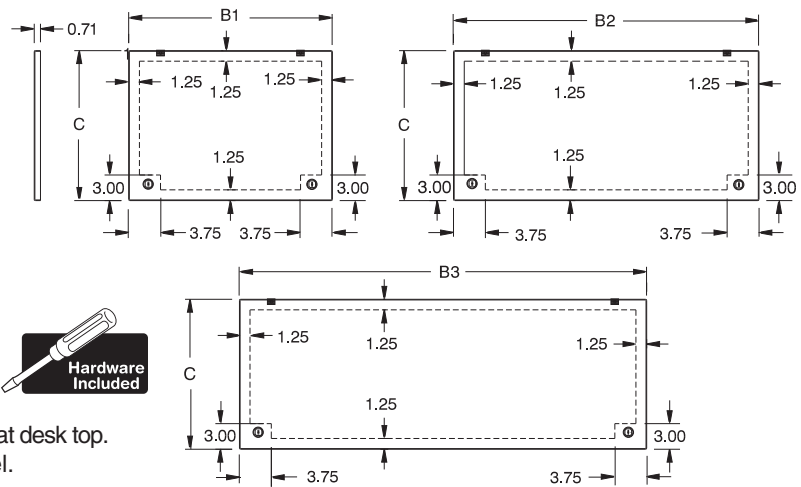


RAL 7035 Light Gray Part No.	Stainless Steel Part No.	B
2CLBC2436	2CSBC2436	24
2CLBC3636	2CSBC3636	36
2CLBC4836	2CSBC4836	48
2CLBC6036	2CSBC6036	60



### Desk Cover

- For use when no turret is used on top of desk.
- Provides a hinged, flat, sturdy desk surface.
- Available for either Standard or Deep desks.
- Constructed of 14 gauge steel.
- Features quarter turn latches for easy access into flat desk top.
- Available in light gray and natural stainless steel.



RAL 7035 Light Gray Part No.	Stainless Steel Part No.	B1	B2	B3	C
<b>Standard Depth Desk Cover</b>					
2CLDC2436	2CSDC2436	23.75	—	—	16.38
2CLDC3636	2CSDC3636	—	35.75	—	16.38
2CLDC4836	2CSDC4836	—	—	47.75	16.38
2CLDC6036	2CSDC6036	—	—	59.75	16.38
<b>Deep Depth Desk Cover</b>					
2CLDC2443	2CSDC2443	23.75	—	—	24.03
2CLDC3643	2CSDC3643	—	35.75	—	24.03
2CLDC4843	2CSDC4843	—	—	47.75	24.03
2CLDC6043	2CSDC6043	—	—	59.75	24.03

Technical references and CAD downloads available at [www.hammondmfg.com](http://www.hammondmfg.com)

All dimensions in inches unless specified otherwise

Modular Console System

## Series 2000 Modular Console System - NEMA 12, 4, 4X

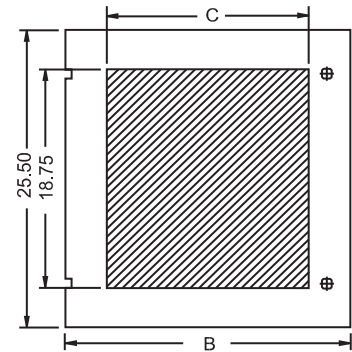
### External Components/Internal Accessories

Operator Interface Enclosure



#### Base Window Door

- Maintains the NEMA rating of the enclosure.
- Constructed of 14 gauge steel and lexan window.
- Easy field installation.
- Available for the 4 base widths.
- On 2 door units, a window can be installed on one side only.
- Available in light gray and natural stainless steel.



RAL 7035 Light Gray Part No.	Stainless Steel Part No.	Fits Base Width	B	C
2CLBW24	2CSBW24	24	23.75	16.75
2CLBW36	2CSBW36	36	35.75	28.75
2CLBW48	2CSBW48	48	23.75	16.75
2CLBW60	2CSBW60	60	29.75	22.75



#### Base Panel

- 14 gauge steel panels are finished in white.
- Used in both single access and dual access bases.
- Available in 4 widths.
- Mounts into "C" Channel Mounting Kit (not included.)
- Hardware required for mounting into "C" channels is included.

Part No.	Fits Base			
	Width	Height	Width	Depth
2CWBP24	24	22.5	20	0.75
2CWBP36	36	22.5	32	0.75
2CWBP48	48	22.5	44	0.75
2CWBP60	60	22.5	56	0.75



#### Console Panel

- 12 gauge steel panels.
- Available in 4 widths.
- Mounts onto panel mounting studs in consolet.
- Finished in white.



Part No.	Fits Consolet Width	Height	Width	Depth
2CWCP24	24	30.5	20.5	0.75
2CWCP36	36	30.5	32.5	0.75
2CWCP48	48	30.5	44.5	0.75
2CWCP60	60	30.5	56.5	0.75

Modular Console System

# Series 2000 Modular Console System - NEMA 12, 4, 4X

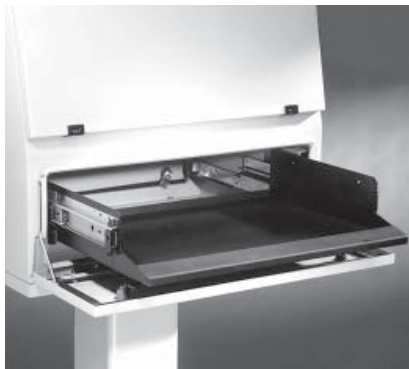
## Internal Accessories

**Operator Interface Enclosure**

### Desk Inner Panel

- 12 gauge steel panels.
- Used in both Standard and Deep desks.
- Available in 4 widths.
- Mounts horizontally onto panel mounting channels in bottom of desk.
- Finished in white.

Part No.	Fits Console Width	Height	Width	Depth
2CWDP24	24	0.5	22	16
2CWDP36	36	0.5	34	16
2CWDP48	48	0.5	46	16
2CWDP60	60	0.5	58	16



### Terminal Keyboard Shelf

- Designed specifically for use in Data Terminal.
- Sloped wrist rest provides comfort for operator.
- Locks in place when extended.
- 20" width accommodates standard width keyboards.
- Finished in textured black.
- Slides included.

Part No.	Height	Width	Depth
2CWDSR	3.88	20	15.63

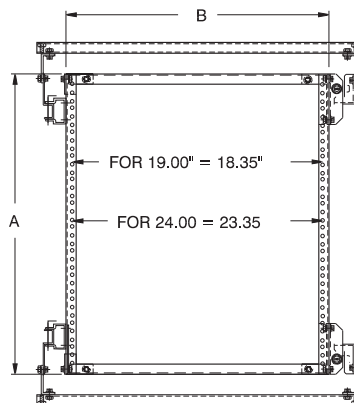


### Swing Frame

- Available in 19" and 24" widths.
- Variable depth feature allows front to rear adjustment.
- Installs with either left or right hinging.
- Mounts onto Rail Support Kits (not included)...*see next page.*
- Clip nuts required for mounting to punched rails...*see page 433*
- Finished in textured black.



Part No.	Fits Console Unit	Fits Console Size	Panel Width	Panel Height	A	B
2CSFT19	Turrets/Terminal	24,36,48,60	19"	8U	15.75	19.28
2CSFT24	Turrets/Terminal	36,48,60	24"	8U	15.75	24.28
2CSFB19	Bases	24,36,48,60	19"	12U	22.09	19.28
2CSFB24	Bases	36,48,60	24"	12U	22.09	24.28


 Technical references and CAD downloads available at [www.hammondmfg.com](http://www.hammondmfg.com)

All dimensions in inches unless specified otherwise

## Series 2000 Modular Console System - NEMA 12, 4, 4X

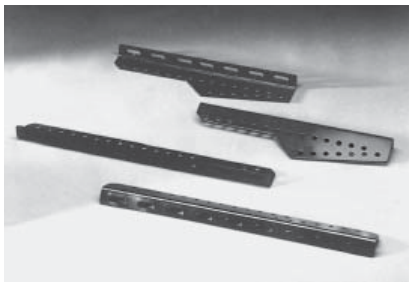
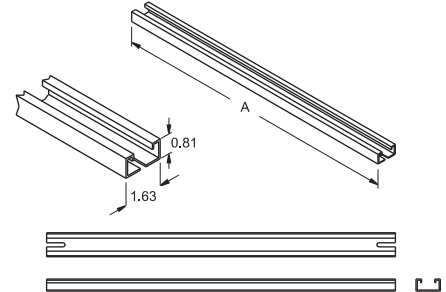
### Internal Accessories

**Operator Interface Enclosure**


### “C” Channel Mounting Kit

- For use in Turrets, Data Terminals and Bases.
- Provide adjustable (side to side) mounting support for Base Panels and all Rail Support Kits.
- Available in 4 widths.
- Finished in textured black.

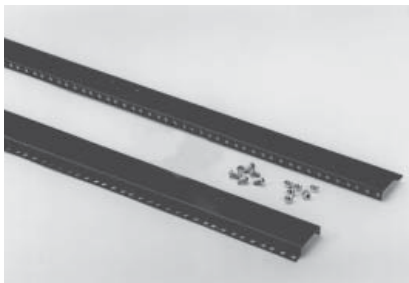
Part No.	Fits Console Width	A
<b>2CMC24</b>	24	23.5
<b>2CMC36</b>	36	33.5
<b>2CMC48</b>	48	47.5
<b>2CMC60</b>	60	59.5



### Rail Support Kit

- Separate kits for Standard Turret/Data Terminal, Deep Turret and Bases.
- For use with Swing Frame, CRT Mounting Kit and Combination Rails.
- Mount into "C" channels (not included - see above).
- Finished in textured black.

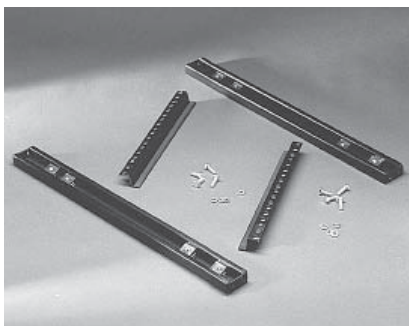
Part No.	Fits Console Unit
<b>2CTRSK36</b>	Turret/Terminal
<b>2CTRSK43</b>	Deep Turret
<b>2CBRSK</b>	Base



### Combination Rails

- Provide standard 19"/24" mounting for electronic equipment or other console accessories.
- Features punched universal EIA spacing.
- Mounts onto Rail Support Kits (not included - see above).
- Clip nuts required for mounting to punched rails...see page 433
- Finished in black.

Part No.	Units	Fits Console Unit
<b>2CTRK</b>	9	Turrets/Terminal
<b>2CBRK</b>	13	Base


**Modular Console System**


### CRT Mounting Kit

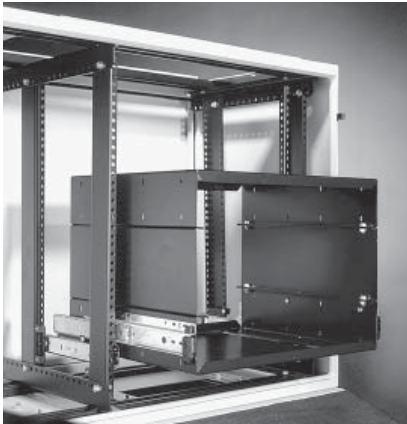
- Adjustable width allows for mounting of most CRT models.
- For use in Turrets or Data Terminal.
- Mounts onto Rail Support Kits (not included - see above).
- Finished in textured black.

Part No.	<b>2CRTK</b>
----------	--------------

# Series 2000 Modular Console System - NEMA 12, 4, 4X

## Internal Accessories

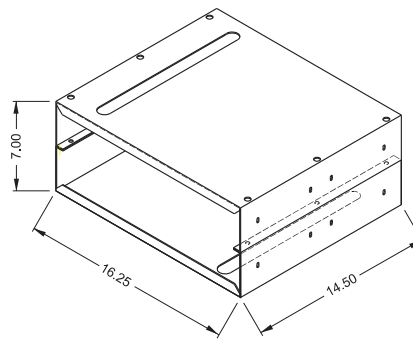
Operator Interface Enclosure



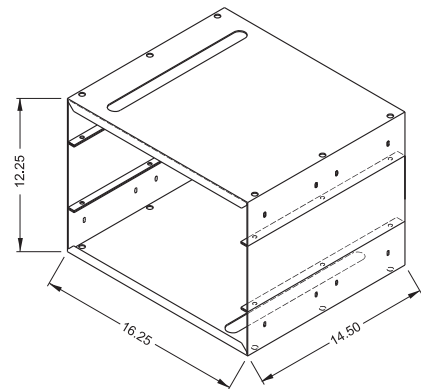
### Printer and Paper Stand

- Provides convenient pullout access and support for printers in bases.
- Two versions available for high or low applications.
- Mounts onto Combination Rails (not included)...see page 226.
- Finished in textured black.
- Slides included.

Part No.	Description	Height
<b>2CLPS</b>	Low Printer Stand	7.00
<b>2CHPS</b>	High Printer Stand	12.25



Low Printer Stand



High Printer Stand

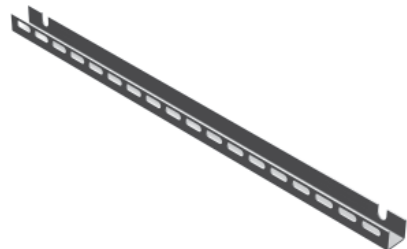
Modular Console System



### Gas Filled Door Support

- Provide "lift assist" and door support for rear Turret/Data Terminal doors and Desk lids.
- Replace standard manual door supports.
- Finished in black.
- Sold individually.
- Recommend 1 for 24"/36" and 2 for 48"/60".

Part No.	<b>2CDSTP</b>
----------	---------------



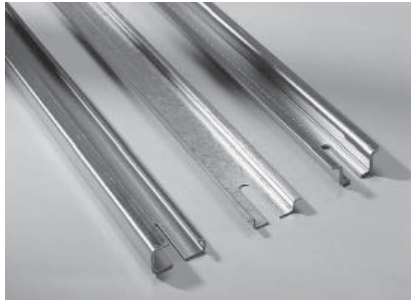
### DIN Rail Support Kit

- Provide adjustable mounting support for DIN rails (sold separately.)
- For use in Bases only.
- Mount into "C" channels (not included)



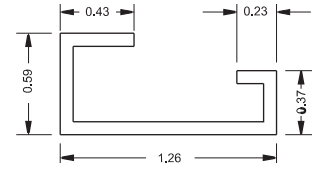
Part No.	<b>2CDMK</b>
----------	--------------

## Series 2000 Modular Console System - NEMA 12, 4, 4X Internal Accessories

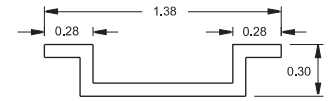
**Operator Interface Enclosure**


### DIN Rails

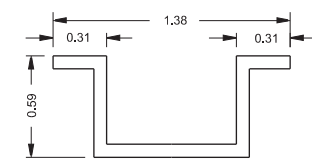
- Field installable.
- Includes a set of 3 plated rails.
- Available in 3 industry standard profiles - DIN 1, DIN 3, and CENELEC.
- DIN Rail Support Kit required...see page 227.
- Rails have a 0.28 x 1.25 oblong slot on each end.



### Asymmetric DIN 1 Pro



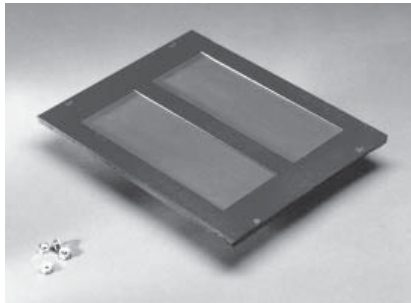
### Symmetric DIN 3 Pro



### CENELEC Pro

Asymmetric DIN1 Profile Part No.	Symmetric DIN 3 Profile Part No.	Cenelec Profile Part No.	Length
2D1K12	2D2K12	2DCK12	9.25
2D1K16	2D2K16	2DCK16	13.25
2D1K20	2D2K20	2DCK20	17.25
2D1K24	2D2K24	2DCK24	21.25
2D1K30	2D2K30	2DCK30	27.25

For sizing, refer to master selection table...see page 256.



### Micro Cell Cable Entry Kit

- For use in Single or Dual Access Bases.
- Constructed of 14 gauge steel.
- Features 2 cutouts for cable access.
- Underside of cutouts covered with black foam rubber, which when punctured for cable access, still maintains a virtually sealed bottom.
- Finished in textured black.

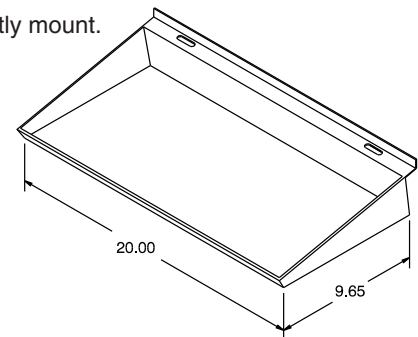
Part No. **2CMBPK**



### Mobile Keyboard Support

- Installs easily at any location along front of Desks or Consolet.
- Provides auxiliary or temporary keyboard support.
- 20" width accommodates standard width keyboards.
- Finished in textured black.
- Requires two drilled holes to permanently mount.

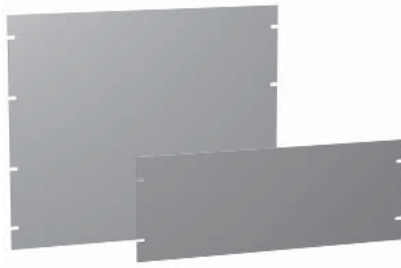
Part No. **2CMKS24**


**Modular Console System**



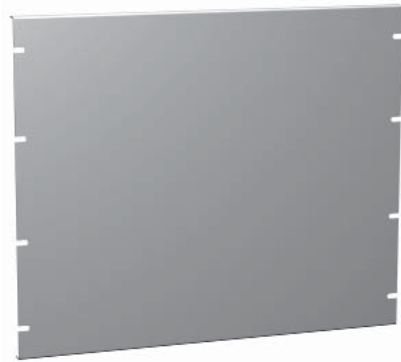
# Series 2000 Modular Console System - NEMA 12, 4, 4X

## Rack Mount Accessories

**Operator Interface Enclosure**


### Flat Steel or Aluminum Panels

- Economical panels are made from high quality steel or aluminum.
- Mounting hardware not included, please order separately.
- Available in light gray (LG2), black (BK2) or gray (GY2).
- Aluminum panels are also available unfinished (UNF).



### Formed Steel Panel

- A 0.50" fold top and bottom adds strength without increasing the panel thickness.
- Mounting hardware not included, please order separately.
- Available in light gray (LG2), black (BK2) or gray (GY2).


**Modular Console System**

No. of Slots	Panel Height Inches	Units	Flat 14 Gauge Steel (0.075")	Flat 0.125" Aluminum	Formed 16 Gauge Steel (0.060")
4	1.75	1	PBPS19001... <sup>1</sup>	PBPA19001... <sup>2</sup>	PBFS19001... <sup>1</sup>
	3.50	2	PBPS19003...	PBPA19003...	PBFS19003...
	5.25	3	PBPS19005...	PBPA19005...	PBFS19005...
	7.00	4	PBPS19007...	PBPA19007...	PBFS19007...
	8.75	5	PBPS19008...	PBPA19008...	PBFS19008...
8	10.50	6	PBPS19010...	PBPA19010...	PBFS19010...
	12.25	7	PBPS19012...	PBPA19012...	PBFS19012...
	14.00	8	PBPS19014...	PBPA19014...	PBFS19014...
	15.75	9	PBPS19015...	PBPA19015...	PBFS19015...
	17.50	10	PBPS19017...	PBPA19017...	PBFS19017...
	19.25	11	PBPS19019...	PBPA19019...	PBFS19019...
	21.00	12	PBPS19021...	PBPA19021...	PBFS19021...
	22.75	13	PBPS19022...	PBPA19022...	PBFS19022...
10	24.50	14	PBPS19024...	PBPA19024...	PBFS19024...
	26.25	15	PBPS19026...	PBPA19026...	PBFS19026...
12	28.00	16	PBPS19028...	PBPA19028...	PBFS19028...
	29.75	17	PBPS19029...	PBPA19029...	PBFS19029...
	31.50	18	PBPS19031...	PBPA19031...	PBFS19031...

<sup>1</sup> Specify color code. Light Gray (LG2), Black (BK2) or Gray (GY2).

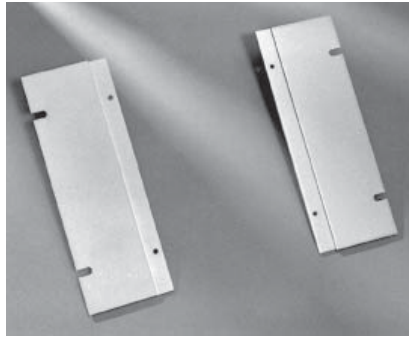
1 unit = 1.75"

<sup>2</sup> Specify color code. Light Gray (LG2), Black (BK2) Gray (GY2) or Unfinished (UNF). When unfinished, panels are paper covered on one side.

# Series 2000 Modular Console System - NEMA 12, 4, 4X

## Rack Mount Accessories

Operator Interface Enclosure



### Panel Width Adaptors

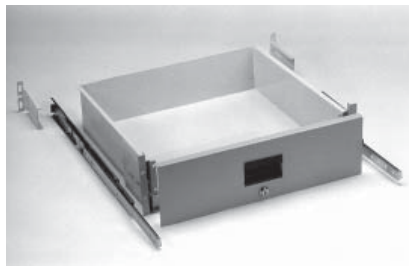
- Used for adapting flat 19" or 23" panels for 24" rack mounting.
- Mounting hardware not included, please order separately.
- 19" sold in pairs, 23" sold individually (only 1 required).
- Available in light gray or black.

Panel Height		For 14 Ga. Steel (0.075")
Inches	Units	19" Widths
1.75	1 <sup>2</sup>	PBAS19001... <sup>1</sup>
3.50	2 <sup>2</sup>	PBAS19003...
5.25	3 <sup>2</sup>	PBAS19005...
7.00	4 <sup>2</sup>	PBAS19007...
8.75	5 <sup>2</sup>	PBAS19008...
10.50	6	PBAS19010...
12.25	7	PBAS19012...
14.00	8	PBAS19014...



<sup>1</sup>Specify color code. Light Gray (LG2) or Black (BK2).

<sup>2</sup> 23" to 24" adaptors are available in these heights only; substitute "23" for "19" in the part no.



### Storage Drawer Kit

- Complete drawer kit with slides and lock.
- Available in 3 depths.
- Rear support brackets included for all depths.
- Available in light Gray or black.

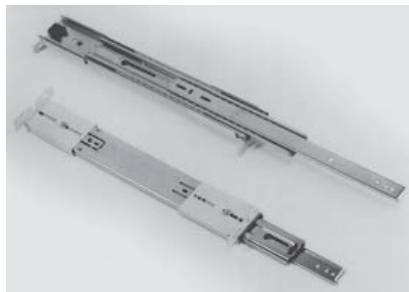


19" Drawer Kit Part Numbers			Panel Height	Units
12" Deep Drawer	16" Deep Drawer	22" Deep Drawer	Inches	
RDRW1900312... <sup>1</sup>	RDRW1900316... <sup>1</sup>	RDRW1900322... <sup>1</sup>	3.50	2
RDRW1900512...	RDRW1900516...	RDRW1900522...	5.25	3
RDRW1900712...	RDRW1900716...	RDRW1900722...	7.00	4
RDRW1900812...	RDRW1900816...	RDRW1900822...	8.75	5

<sup>1</sup> Specify 3 digit color code. Light Gray (LG1) or Black (BK1).

1 unit = 1.75"

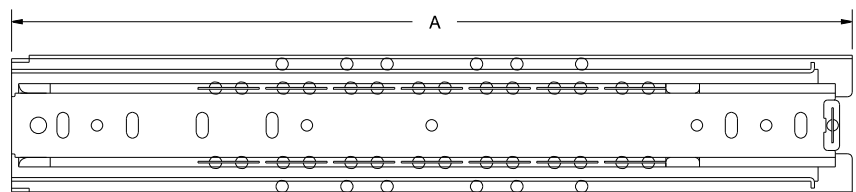
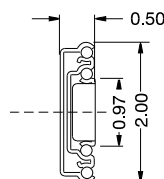
For 24" panel width versions, substitute "19" with "24" in the part number.



### Equipment Slides

- Sold in **pairs**.
- Mounts on combination rail front flange (not included).

Part No.	(A) Length	Weight
		Capacity (Pair)
RSLIDE12	12	120 lb
RSLIDE16	16	130 lb
RSLIDE22	22	120 lb



Modular Console System

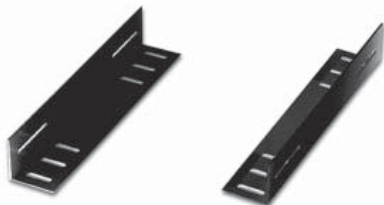
Technical references and CAD downloads available at [www.hammondmfg.com](http://www.hammondmfg.com)

All dimensions in inches unless specified otherwise

**Quality Products. Service Excellence.**

# Series 2000 Modular Console System - NEMA 12, 4, 4X

## Rack Mount Accessories

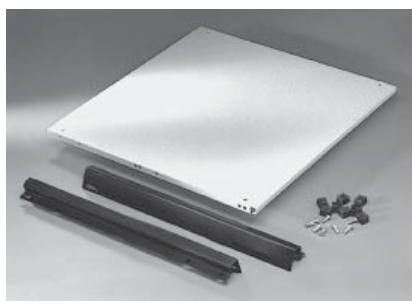
**Operator Interface Enclosure**


### Adjustable Support Angles

- Angles mount on accessory rails with either leg used as support depending on requirements.
- Slots allow up/down or front/back adjustments.
- Made of 14 gauge steel, with dimensions of 1.75" x 1.75".
- Finished in black (BK3).
- Mounting hardware not included, please order separately.



Part No. (Pair)	Length (Inches)
<b>RASA12BK3</b>	9.98
<b>RASA16BK3</b>	14.95
<b>RASA22BK3</b>	20.95



### Fixed Chassis/Shelf

- Can be used as a permanently mounted support shelf between accessory rails or as a pull-out chassis.
- Accepts optional slides for pull-out application.
- Material is 18 gauge (shelf) and 14 gauge (brackets).
- Shelf is 16.8" wide x 0.5" high.
- Refer to table at right for depth.
- Finished in white.



Part No.	Panel Width	Shelf Depth (In.)	Bracket Depth (In.)
<b>RASC1912WH2</b>	19	11.9	13.2
<b>RASC1916WH2</b>	19	15.9	14.9
<b>RASC1922WH2</b>	19	21.9	20.9
<b>RASC2412WH2</b>	24	11.9	13.2
<b>RASC2416WH2</b>	24	15.9	14.9
<b>RASC2422WH2</b>	24	21.9	20.9

**Modular Console System**


### Equipment Shelf

- This closed utility shelf has 1.5 diameter cord access holes in each bottom corner. Fabricated from 18 gauge steel on top, bottom and sides.
- Inside dimensions are: 17.2" (wide) x 15.0" (deep).
- Height is 1" less than panel space.
- Finished in white.
- Mounting hardware not included, please order separately.



Part No.	Panel Height	
	Inches	Units
<b>RASE1900815WH2</b>	8.75	5
<b>RASE1901015WH2</b>	10.50	6
<b>RASE1901215WH2</b>	12.25	7

1 unit = 1.75"



### Adjustable Support Bar

- This 16 gauge steel support fastens between accessory rails for support across rear of equipment.
- Minor modification required for use with tapped rails.
- Finished in black.



Part No.	Length (Inches)
<b>RASB19BK1</b>	19
<b>RASB24BK1</b>	24

Technical references and CAD downloads available at [www.hammondmfg.com](http://www.hammondmfg.com)

All dimensions in inches unless specified otherwise

## Series 2000 Modular Console System - NEMA 12, 4, 4X Rack Mount Accessories

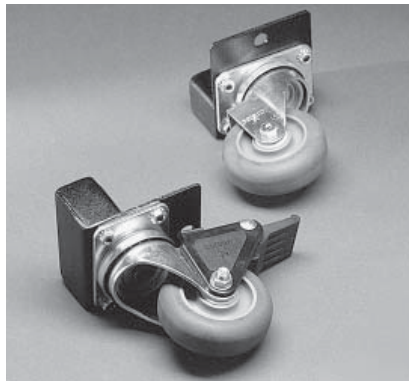
Operator Interface Enclosure



### Optional Locks & Latches

- Field installable.
- Interchangeable with standard latches.
- Maintains NEMA Type 4, 4X, 12, 13 rating.

Part No.	Description
<b>2WKL</b>	Wing knob lock, zinc die/black
<b>2SQI7</b>	7mm square insert, black
<b>2SQK7</b>	7mm square key, fits 2SQI7
<b>2TRI7</b>	7mm triangle insert, black
<b>2TRK7</b>	7mm triangle key, fits 2TRI7
<b>2SLI</b>	Slotted insert, black
<b>2QPL</b>	Padlockable quarter turn latch, black



### Series 2000 Console Casters

- Locking and non-locking versions.
- Mount directly to plinths.
- Sold in pairs to provide ability to mix locking and non-locking.
- Recommend 4 casters for 24"/36" and 6 casters for 48"/60".
- Weight capacity of 500 lbs. per pair.

Part No.	Type	No. of Casters
<b>2CCSTL</b>	Locking	2
<b>2CCSTN</b>	Non-Locking	2

Modular Console System