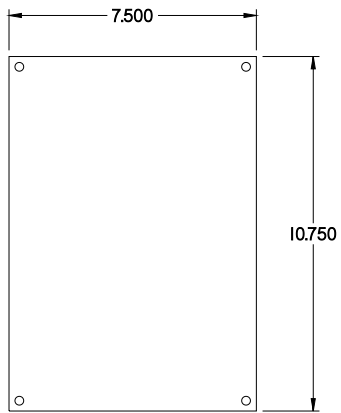


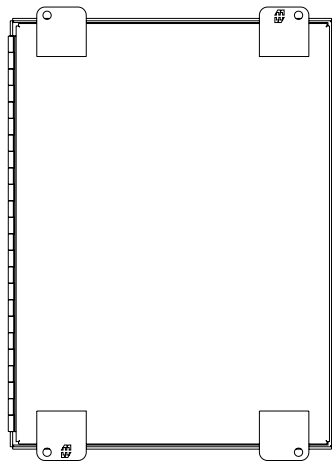
PART No. 1489P12

Data subject to change without notice
Isometric drawing Not to Scale

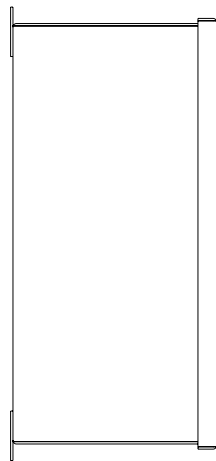
Gross Automation (877) 268-3700 · www.hammondenclosuresales.com · sales@grossautomation.com



INNER PANEL



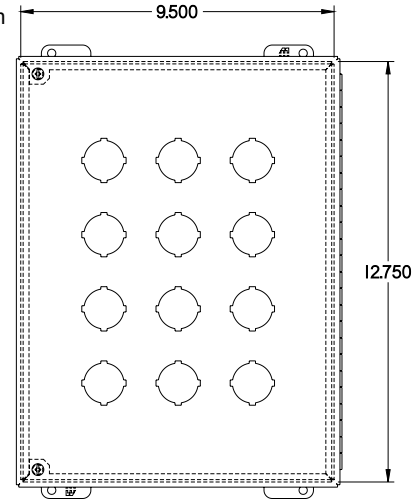
BACK VIEW



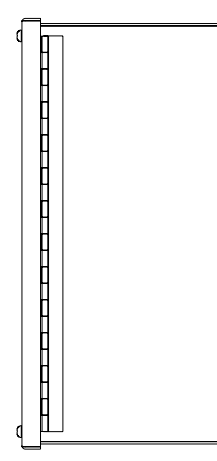
LEFT SIDE VIEW



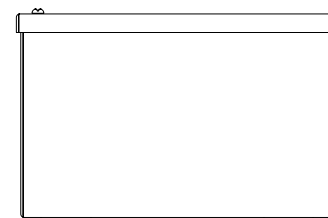
TOP VIEW



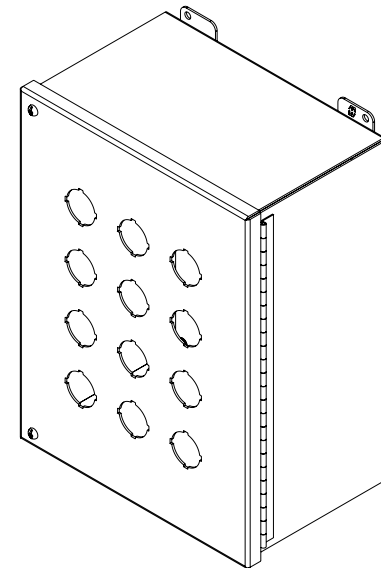
FRONT VIEW



RIGHT SIDE VIEW



BOTTOM VIEW



ISOMETRIC VIEW