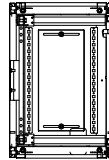
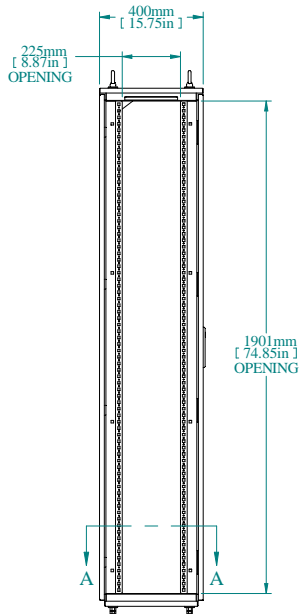


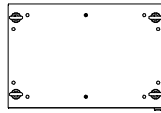
REAR VIEW



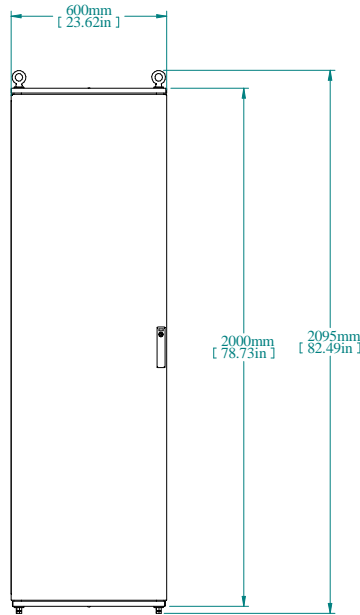
SECTION A-A



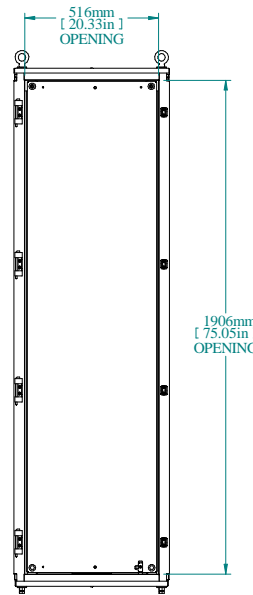
L.S. VIEW



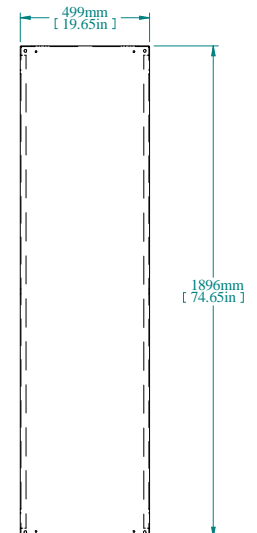
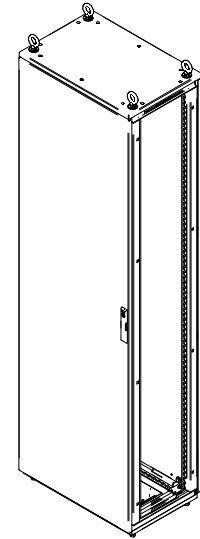
TOP VIEW



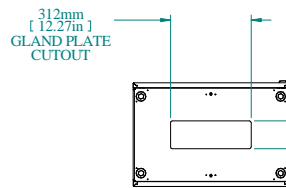
FRONT VIEW



FRONT VIEW DOOR REMOVED



INNER PANEL



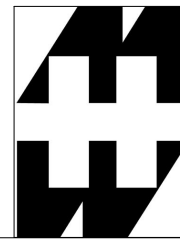
BOTTOM VIEW

106mm [4.19in]
GLAND PLATE
CUTOUT

PART NUMBERS	
HME2064	PAINTED TEXTURED GRAY RAL 7035

NOTES
Welded Assembly See Hammond Website for Additional Accessories

Data subject to change without notice. Isometric drawing not to scale.



**HAMMOND
MANUFACTURING™**

www.hammondmfg.com

PART NO. HME2064