

1418 Series Freestanding Enclosures - NEMA 4, 12

Accessories

Industrial Enclosures

Freestanding Enclosures

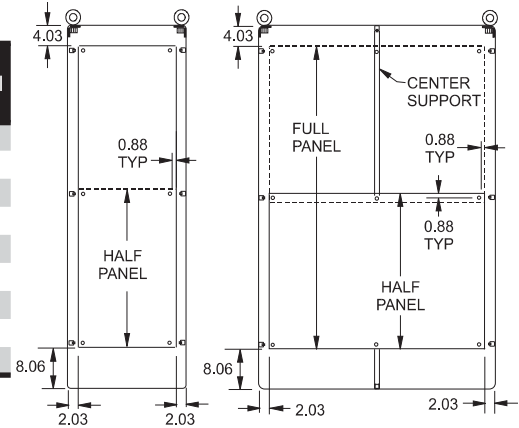
Inner Panels

- Formed from 10 gauge or 12 gauge steel.
- All double door width panels are 10 gauge steel.
- Width panels are available in full or half height.
- Depth panels are available in full height only.
- Depth and width panels are provided with all mounting hardware and center support where required.
- Half panel can be mounted in the top or bottom half of the enclosure.
- Finished in white.

Depth Panels

Part No.	Encl. Height	Encl.		
		Min Depth	Panel W	Panel H
60FD14	60	18	14	48
72FD9	72	18	9	60
72FD14	72	18	14	60
72FD20	72	24	20	60
72FD26	72	36	26	60
90FD9	90	18	9	78
90FD14	90	18	14	78
90FD20	90	24	20	78
90FD26	90	36	26	78

Side Mounted Panels for Single and Double Door Enclosures



Front View Single Door

Front View Double Door



Single Door Width Panels

Steel Part No.	Galv. Steel Part No.	Description	Enclosure	Panel Size
60TFFW	60TFFWG	Full Panel	60 x 24	48.00 x 20
60TFFH	60TFFHG	Half Panel		24.87 x 20
72TFFW	72TFFWG	Full Panel	72 x 24	60.00 x 20
72TFFH	72TFFHG	Half Panel		30.87 x 20
90TFFW	90TFFWG	Full Panel	90 x 24	78.00 x 20
90TFFH	90TFFHG	Half Panel		39.87 x 20
72XFHW	72XFHWG	Full Panel	72 x 30	60.00 x 26
72XFHW	72XFHWG	Half Panel		30.87 x 26
60TYFW	60TYFWG	Full Panel	60 x 36	48.00 x 32
60TYFH	60TYFHWG	Half Panel		24.87 x 32
72YFW	72YFWG	Full Panel	72 x 36	60.00 x 32
72YFH	72YFHWG	Half Panel		30.87 x 32
90YFW	90YFWG	Full Panel	90 x 36	78.00 x 32
90YFH	90YFHWG	Half Panel		39.87 x 32

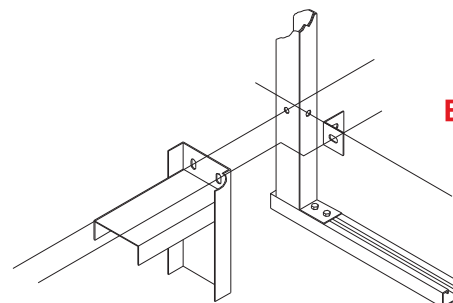
Double Door Width Panels

Steel Part No.	Galv. Steel Part No.	Description	Enclosure	Panel Size
60AFFF	60AFFWG	Full Panel	60 x 48	48.00 x 44
60AFFF	60AFFFHG	Half Panel		24.88 x 44
72ZFFW	72ZFFWG	Full Panel	72 x 48	60.00 x 44
72ZFFH	72ZFFHWG	Half Panel		30.88 x 44
72ZXFH	72ZXFHWG	Full Panel	72 x 60	60.00 x 56
72ZXFH	72ZXFHWG	Half Panel		30.88 x 56
72ZYFW	72ZYFWG	Full Panel	72 x 72	60.00 x 68
72ZYFH	72ZYFHWG	Half Panel		30.88 x 68
90BFFF	90BFFWG	Full Panel	90 x 48	78.00 x 44
90BFFF	90BFFFHG	Half Panel		39.88 x 44
90BYFW	90BYFWG	Full Panel	90 x 72	78.00 x 68
90BYFH	90BYFHWG	Half Panel		39.88 x 68

1418 CS Series Center Panel Supports

- Adapts panels, swing frames, and panel rails from single door enclosures so they can be used on double door enclosures.
- Suitable for single or dual access double door enclosures.
- Center panel support mounts into front to back mounting channels (top and bottom) found in two door enclosures.
- Allows a combination of two 20" panels in a 48" wide enclosure, two 26" panels in a 60" wide enclosure, or two 32" panels in a 72" wide enclosure.
- Width is adjustable from 1.91" to 2.34".
- Support may be positioned at any depth within the enclosure.
- Finished in white.

Part No.	Enclosure Ht.
1418ACS	60
1418ZCS	72
1418BCS	90



Bottom View

Technical references and CAD downloads available at www.hammondmfg.com

All dimensions in inches unless specified otherwise

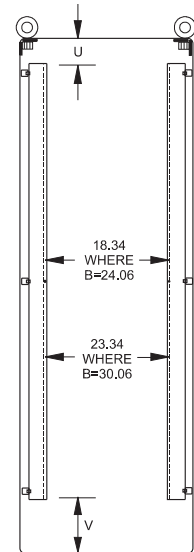
1418 Series Freestanding Enclosures - NEMA 4, 12

Accessories

Panel Rails

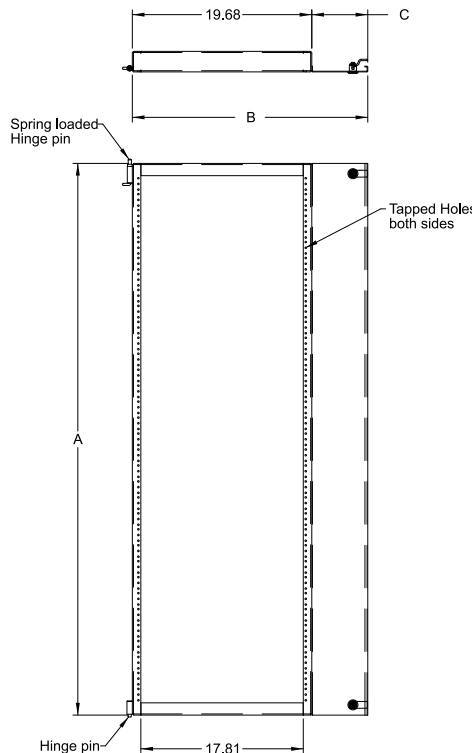
- Provides 19" or 24" mounting capability.
- Sold in **pairs**.
- Formed from 10 gauge steel.
- Drilled and tapped 10-32 to EIA spacing of 0.5" - 0.63" - 0.63" - 0.5".
- Finished in white.

Part No.	Panel Description	Enclosure Width	Panel Height	U	V
1418TFHP	Full Height	60 x 24	19	49.00	3.78 7.78
1418THHP	Half Height			26.25	3.59 7.59
1418WFHP	Full Height	72 x 24	19	61.25	3.66 7.66
1418WHHP	Half Height			31.50	3.97 7.67
1418XFHP	Full Height	72 x 30	24	61.25	3.66 7.66
1418XHHP	Half Height			31.50	3.97 7.67
1418YYFHP	Full Height	90 x 24	19	78.75	3.91 7.91
1418YYHHP	Half Height			40.25	4.09 8.09



Swing Out Frames For 19" Rack Mounting

- Formed from 10 gauge steel, frames are drilled and tapped to EIA requirements for mounting standard 19" rack accessories.
- Designed for installation in 72" and 90" high enclosures. The swing frame pivots on 0.5" pins within the enclosure for easy access to the rear of rack mounted equipment.
- The frame positions at any depth within the enclosure and is fastened in the closed position with quarter turn fasteners.
- Swing frames may be mounted in 30" and 36" wide enclosures, or in 60" and 72" wide enclosures with an optional center panel support...see page 57.
- One or two frames may be mounted in 30" and 36" wide enclosures with dual access, and 1,2,3 or 4 frames may be mounted in 60" and 72" wide dual access enclosures.
- Finished in black.



Part No.	A	B	C	D	E	Enclosure Height	Width Single Door	Width Double Door	Center Support
1418SFYY	87.86	33.72	4.28	78.5	75.31	90	36	72	1418 BCS
1418SFY	69.86	33.72	4.28	60.5	57.81	72	36	72	1418 ZCS
1418SFX	69.86	27.72	4.28	60.5	57.81	72	30	60	1418 ZCS

Note: When using a swing out frame on a double door enclosure, a Center Panel Support must also be used and ordered separately...see previous page.