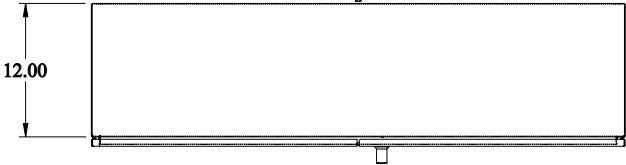
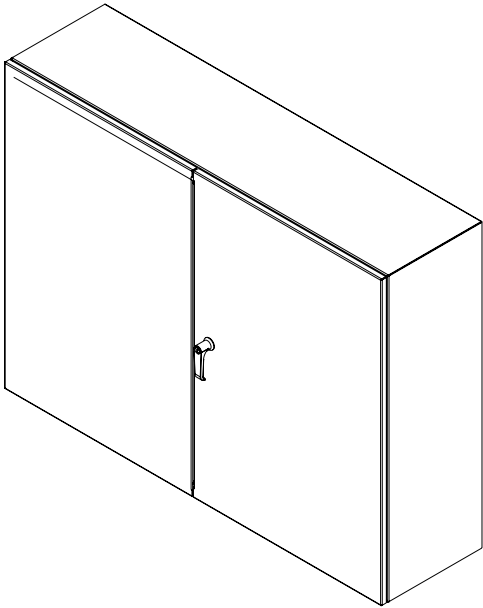


**PART No. EN4TD364812LG**  
 Data subject to change without notice  
 Isometric drawing Not to Scale

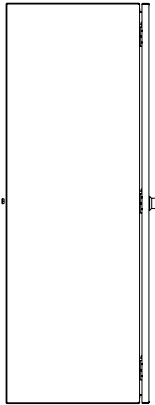
Gross Automation (877) 268-3700 · www.hammondenclosuresales.com · sales@grossautomation.com



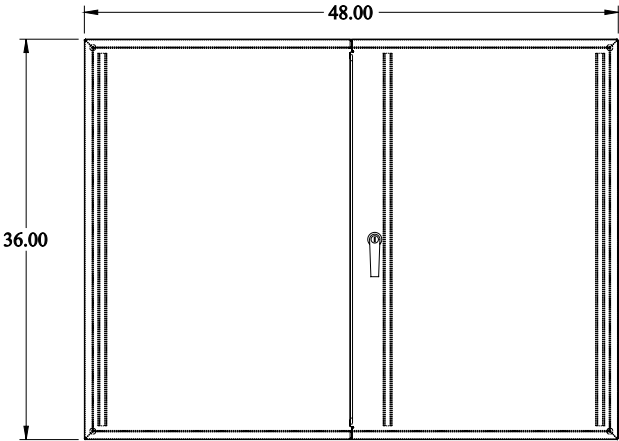
**TOP VIEW**



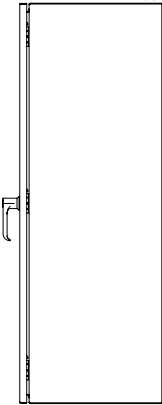
**BACK VIEW**



**LEFT SIDE VIEW**

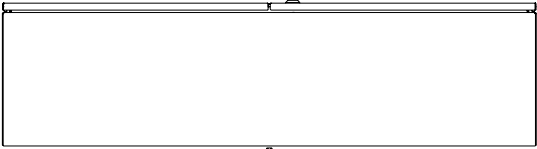


**FRONT VIEW**



**RIGHT SIDE VIEW**

**ISOMETRIC VIEW**



**BOTTOM VIEW**