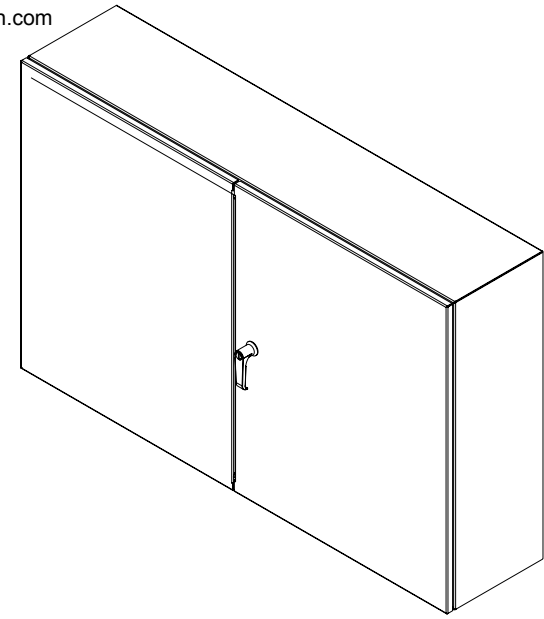
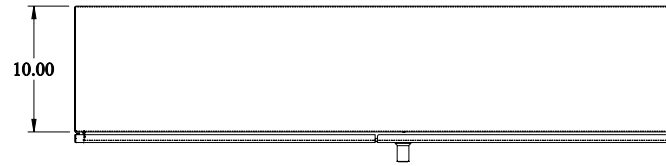


**PART No. EN4TD304810LG**  
Data subject to change without notice  
Isometric drawing Not to Scale



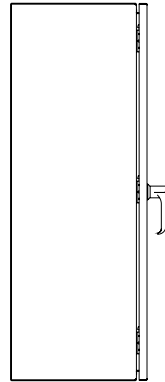
**ISOMETRIC VIEW**



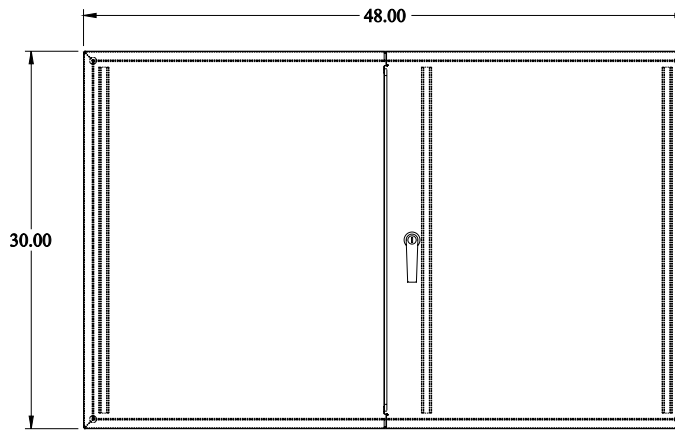
**TOP VIEW**



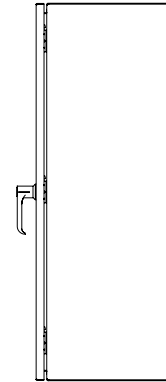
**BACK VIEW**



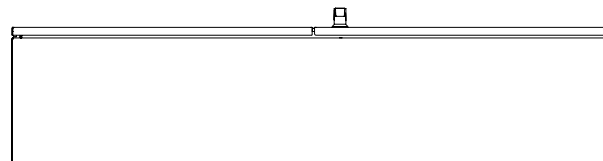
**LEFT SIDE VIEW**



**FRONT VIEW**



**RIGHT SIDE VIEW**



**BOTTOM VIEW**