

# General Accessories

## General Accessories

### Floor Stand Kit

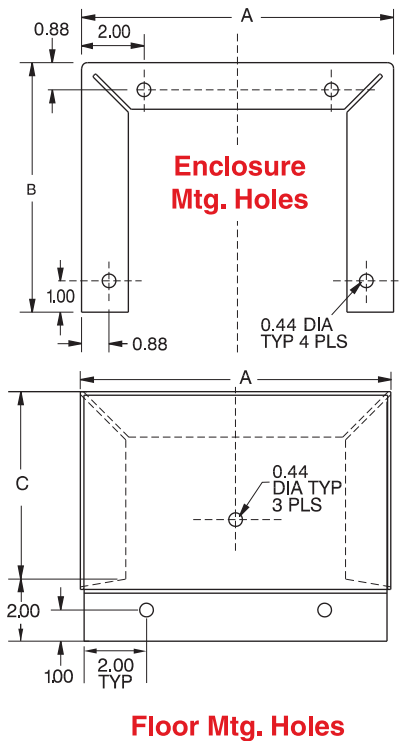


- Kit includes two mounting feet and hardware kit.
- Pre-punched mounting feet may be used as a template to drill holes on bottom of enclosure.
- Finished in gray or natural brushed stainless steel.



Steel Part No.	Stainless Steel Part No.	Foot Height	Enclosure Depth	Dimensions		
				A	B	C
1481FA8K		6	8	8	6	4
1481FA10K		6	10	10	8	6
1481FA12K		6	12	12	8	6
1481FA16K		6	16	16	10	8
1481FA18K		6	18	18	8	6
1481FA20K		6	20	20	10	8
1481FC6K		12	6	6	5	4
1481FC8K	1481FC8KSS	12	8	8	6	4
1481FC10K	1481FC10KSS	12	10	10	8	6
1481FC12K	1481FC12KSS	12	12	12	8	6
1481FC16K	1481FC16KSS	12	16	16	10	8
1481FC18K		12	18	18	8	6
1481FC20K		12	20	20	10	8
1481FC24K		12	24	24	10	8
1481FE6K		15	6	6	5	4
1481FE8K		15	8	8	6	4
1481FE10K		15	10	10	8	6
1481FE12K		15	12	12	8	6
1481FE16K		15	16	16	10	8
1481FE18K		15	18	18	10	8
1481FE24K		15	24	24	10	8
1481FG6K		18	6	6	5	4
1481FG8K		18	8	8	8	6
1481FG10K		18	10	10	8	6
1481FG12K		18	12	12	8	6
1481FG16K		18	16	16	10	8
1481FK6K		24	6	6	5	4
1481FK8K		24	8	8	8	4
1481FK10K	1481FK10KSS	24	10	10	8	4
1481FK12K	1481FK12KSS	24	12	12	10	6
1481FK16K		24	16	16	12	8

General Accessories



### Door Stop Kit

- Provides for door opening in fixed position as required.
- Prevents door swing that can occur in field maintenance situations.
- This door stop kit maintains NEMA 4x, 4, 3R and 12 ratings when installed correctly using the hardware and directions provided.

Part No. **DSTOPK**

## General Accessories

### General Accessories



Pedestal Column



Pedestal Base

### Pedestal

- Used for floor mounting for many types of enclosures, consolets or pushbutton boxes
- Provides wiring feature through the column.
- Meets NEMA Type 12 and 13 requirements.
- Finished in gray.

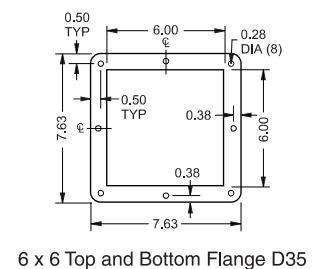
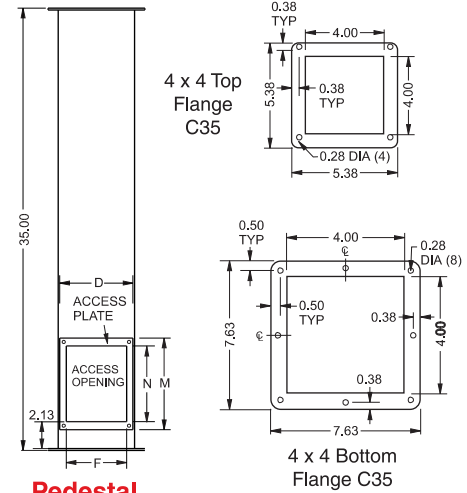
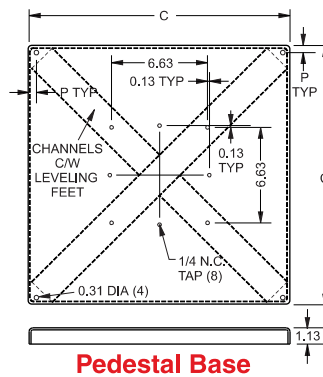
### Pedestal Column

- Columns are formed from 14 gauge steel with 10 gauge flanges.
- Column access opening with gasketed cover.
- Columns include flange gaskets and a box connector.

### Pedestal Base

- Bases are formed from 10 gauge steel with additional reinforcing.
- Bases include levelling screws.

Part No.	Description	C	D	F	M	N	P
1495C35	Straight Column	—	3.75	2.75	7.25	6	—
1495D35	Straight Column	—	5.75	4.75	7.25	6	—
1495XK	Pedestal Base	18	—	—	—	—	0.5
1495XN	Pedestal Base	24	—	—	—	—	0.5



# General Accessories

## General Accessories

General Accessories



### Touch-Up Spray Paint

- For use in matching standard Hammond colors.
- Provided in 12 oz. spray cans.

### Touch Up - Spray Can

Part No.	Color
1413BKLGS	Black - Low Gloss
1413BKS	Black
1413CGRALS	Beige RAL 7032
1413LRS	ANSI 61 Gray
1413NS	White
1413LGS	Light Gray RAL 7035
1413WH9003	White RAL 9003



### Casters

- Packaged in sets of four.
- 800 lb. load capacity per set.
- 4" swivel casters with brakes.
- Features zinc plated ball bearing pivot, composite wheels.

Part No. **1425D**



### 1425 Series Casters

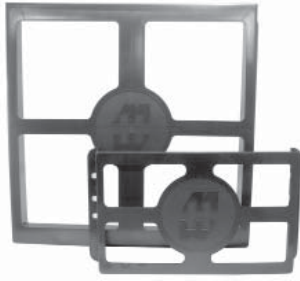
- Packaged in sets of four.
- Feature ball bearing, swivel and hard composition wheels.
- Available for 3 weight capacities.

Part No.	Mfg. Specified Capacity (Set of 4)	Wheel Diameter (inches)
1425B	360	3.0
1425BM	700	3.0
1425BH	1050	3.0



## General Accessories

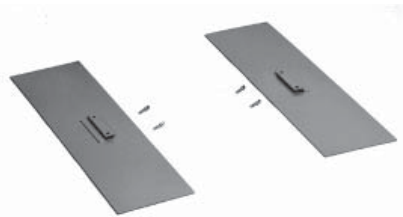
### General Accessories



#### Literature Pocket Kit

- For use as additional or replacement literature pockets.
- Kit includes pocket, high strength two-sided adhesive tape and surface preparation swab.
- Plastic pocket is black.
- Packaged individually.

Part No.	Height	Width	Depth
<b>PKT66</b>	6	6	0.75
<b>PKT99</b>	6	9	0.75
<b>PKT1212</b>	12	12	2.50



#### Enclosure Stabilizers

- Prevents floor mounted enclosures from falling over while being worked on before they are bolted to the floor.
- Install by slipping under enclosure mounting foot and tightening two thumb screws.
- Finished in gray.

Part No.	Overall Dimensions
<b>1481ES (1 pair)</b>	8 x 30



#### Panel Lifting Handles

- Used for lifting, transporting and installing panel assemblies in enclosures that are positioned horizontally.

Part No.	1481H



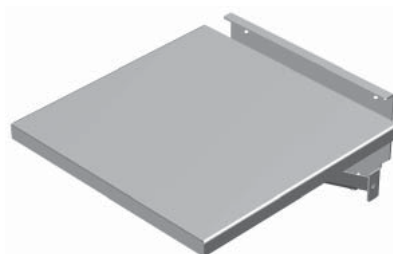
#### Neoprene Gasket Kit - NEMA 12 Enclosures

- Self-adhesive cellular neoprene gasket for NEMA 12 enclosures.
- Supplied in 10 foot rolls, 0.19" x 0.75".

#### Urethane Gasket Kit - NEMA 4, 4X Enclosures

- Self adhesive microcell urethane gasket for NEMA 4, 4X enclosures.
- Supplied in 10 foot rolls, 0.25" x 0.75".

Part No.	Material	For NEMA Type
<b>1481DJ10</b>	Neoprene	12
<b>1481DJN410</b>	Urethane	4, 4X



#### Fold Down Shelf

- Supports various equipment used temporarily to service/program switchgear inside enclosures.
- Mounts with bolts through doors or sides.
- Weight capacity 100 lbs.
- Finished in ANSI 61 Gray.

Part No	Work Surface (In.)	
	W	D
<b>FDS1212GY</b>	12	12
<b>FDS1818GY</b>	18	18

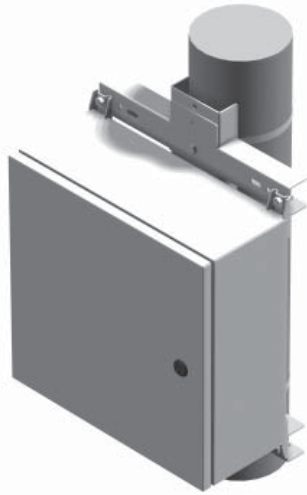


# General Accessories

## General Accessories

### Pole Mounting Kit

- Designed to mount outdoor rated enclosures - Hammond 1414N4, Eclipse, Eclipse Junior and 1418N4 Series
- Individual components allows user to choose mounting configuration and/or components to purchase
- Vertical channel can be lagged directly to pole or attached using optional stainless steel straps
- Vertical channel prevents enclosure from twisting
- Can be used on pole diameters from 4" and up
- Horizontal rails sold in pairs and comes with all hardware needed to secure the enclosure to the rails
- Stainless straps sold in quantities of 4
- PMSTRAP40 straps are rated for 450 lbs each and can be used for pole diameters up to 10"
- PMSTRAP55 straps are rated for 250 lbs each and can be used for pole diameters up to 15"



General Accessories



Vertical Steel Channel



Horizontal Steel Channel



Straps

Part No.	Description	Use with Hammond Series			
		1414N4	Eclipse Junior (EJ)	1418N4	Eclipse (EN4SD)
<b>PMV1216GY</b>	Vertical Steel Channel - Qty 1	12"-16" encl height	12"-16" encl height	12"-16" encl height	12"-16" encl height
<b>PMV2024GY</b>	Vertical Steel Channel - Qty 1	N/A	N/A	20"-24" encl height	20"-24" encl height
<b>PMV3036GY</b>	Vertical Steel Channel - Qty 1	N/A	N/A	30"-36" encl height	30"-36" encl height
<b>PMV4248GY</b>	Vertical Steel Channel - Qty 1	N/A	N/A	42"-48" encl height	42"-48" encl height
<b>PMH15GY</b>	Horizontal Steel Channel - Qty 2	12"-16" encl width	12"-16" encl width	12"-20" encl width	12"-20" encl width
<b>PMH25GY</b>	Horizontal Steel Channel - Qty 2	N/A	N/A	24"-30" encl width	24" encl width
<b>PMH35GY</b>	Horizontal Steel Channel - Qty 2	N/A	N/A	36" encl width	30"-36" encl width
<b>PMSTRAP40</b>	0.50" x 39" length 316 stainless strap - Qty 4				
<b>PMSTRAP55</b>	0.31" x 55" length 316 stainless strap - Qty 4				

## General Accessories

### General Accessories



### PJ Pole Mounting Kit

- Eight sizes cover PJU & PJ up to 30x24
- Adjustable steel band allows mounting on pole diameters up to 15"
- Adaptable pole mounting on round, square and rectangular shapes
- Minimal assembly with fewer parts for installation
- Corrosion protection for long outdoor life

Pole Mount Kit Part No.	Use with PJ Series (including all variations)	Use with PJU Series (including all variations)
<b>PJPOLEMNT8</b>	PJ864,PJ1084,PJ1086	PJU1084
<b>PJPOLEMNT10</b>	PJ1084,PJ1086, PJ12106	PJU12106
<b>PJPOLEMNT12</b>	PJ12106, PJ14126	PJ14126
<b>PJPOLEMNT14</b>	PJ14126, PJ16148	PJU16148
<b>PJPOLEMNT16</b>	PJ16148, PJ18168, PJ20168	PJU181610, PJU201610
<b>PJPOLEMNT20</b>	PJ242010	Not available
<b>PJPOLEMNT24</b>	PJ241010, PJ242410, PJ302410	Not available