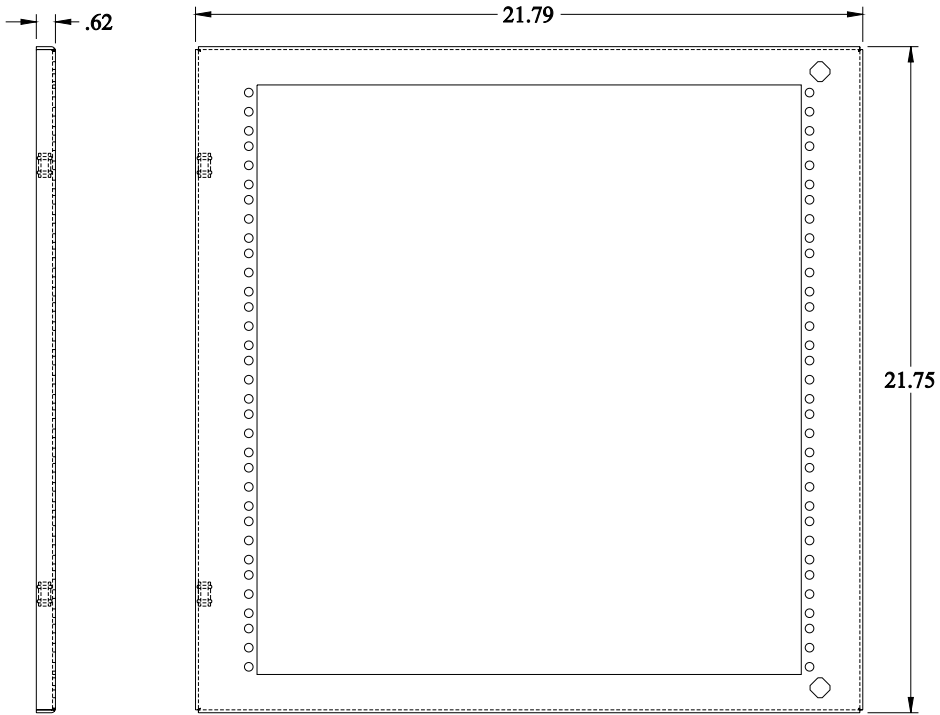


PART No. ESF2424

for more information visit
www.hammfg.com

Data subject to change without notice

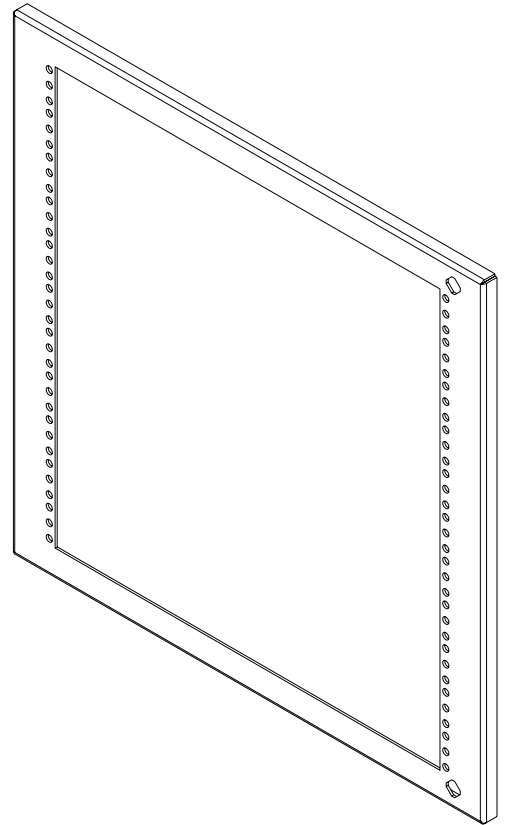
Isometric drawing Not to Scale



SIDE VIEW

FRONT VIEW

BOTTOM VIEW



ISOMETRIC VIEW