

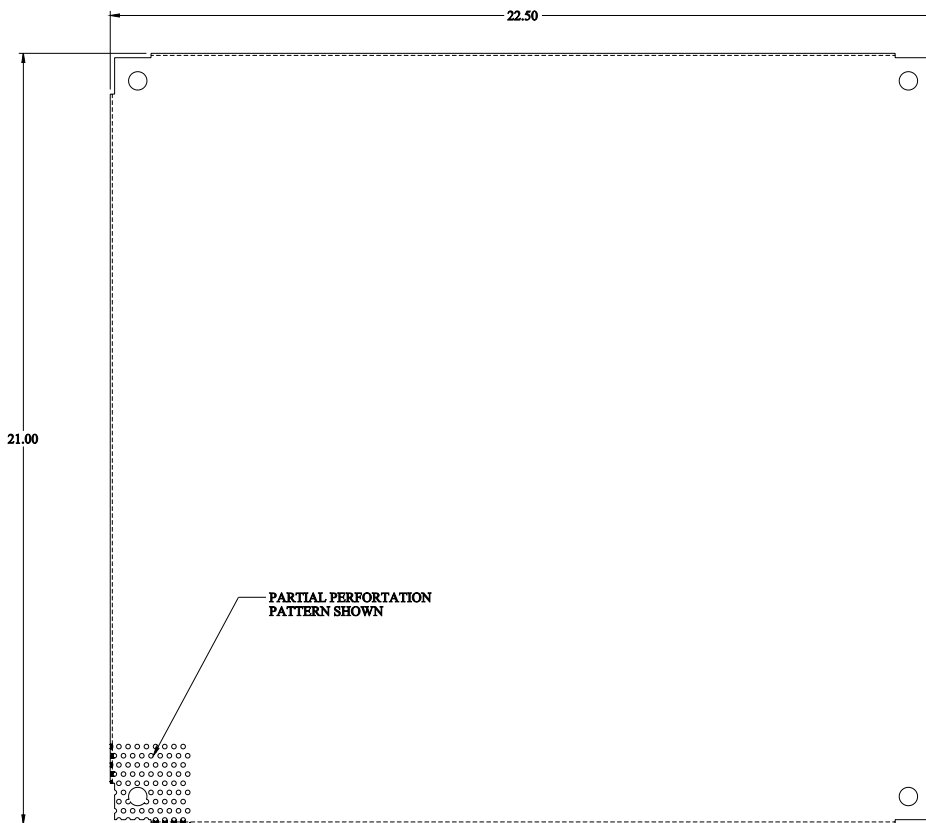
PART No. AP2424PP

for more information visit
www.hammfg.com

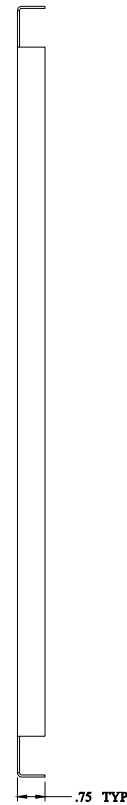
Data subject to change without notice

Isometric drawing Not to Scale

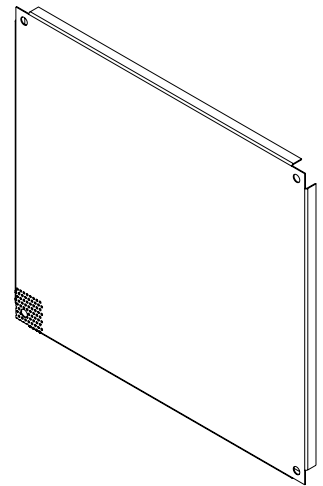
TOP VIEW



FRONT VIEW



SIDE VIEW



ISOMETRIC VIEW