

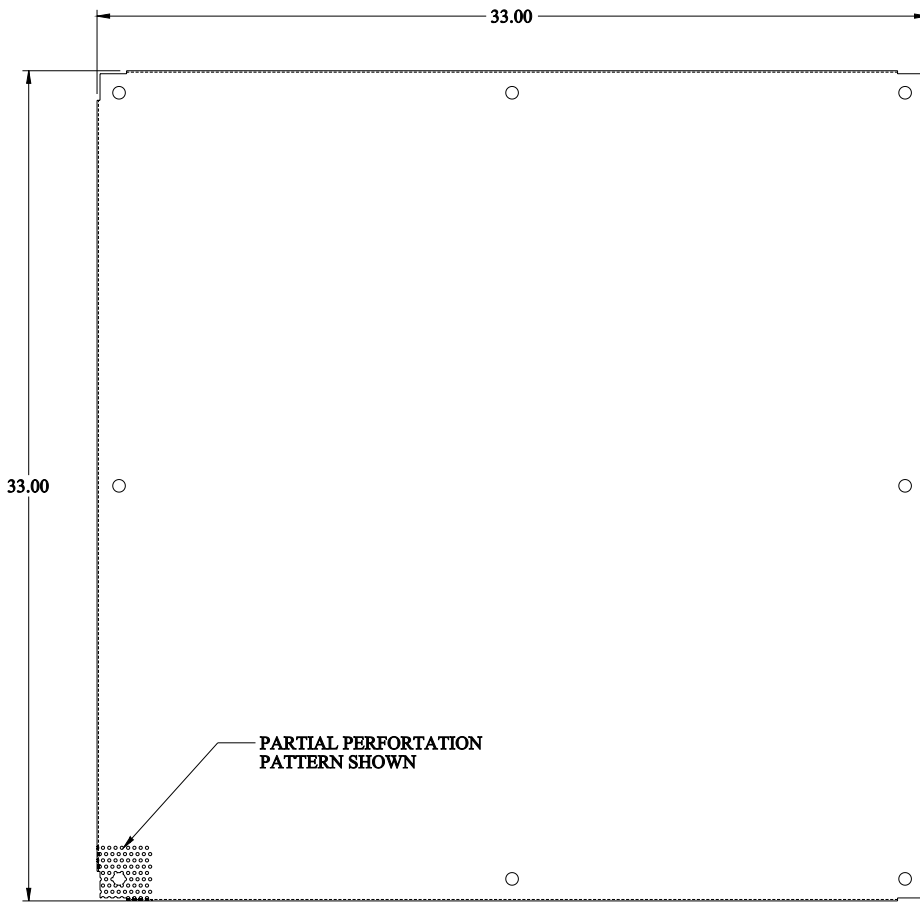
PART No. 18P3327PP

for more information visit
www.hammfg.com

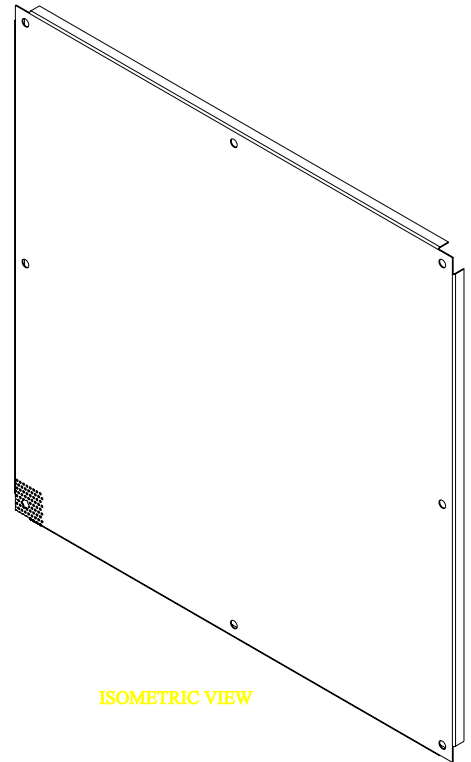
Data subject to change without notice

Isometric drawing Not to Scale

TOP VIEW



FRONT VIEW



ISOMETRIC VIEW