

# PART No. 18P2121PP

for more information visit

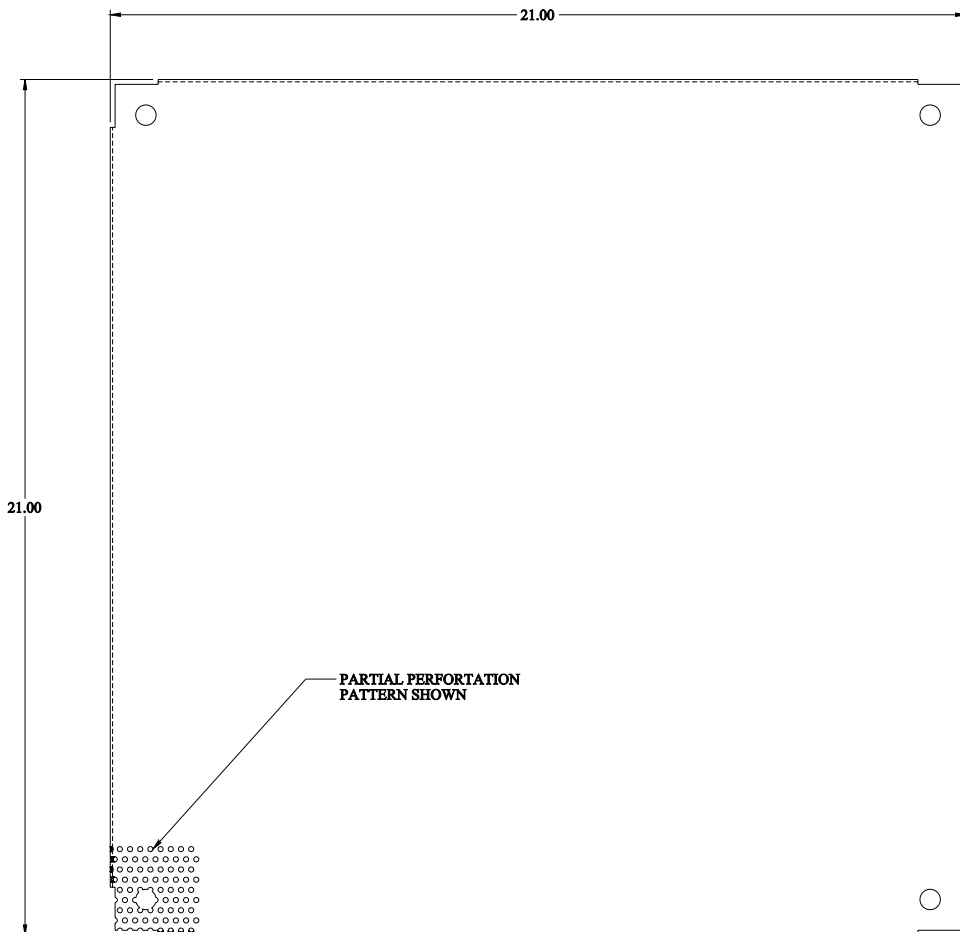
[www.hammfg.com](http://www.hammfg.com)

Data subject to change without notice

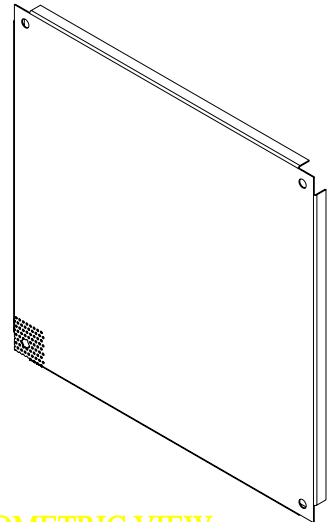
Isometric drawing Not to Scale



TOP VIEW



FRONT VIEW



ISOMETRIC VIEW