

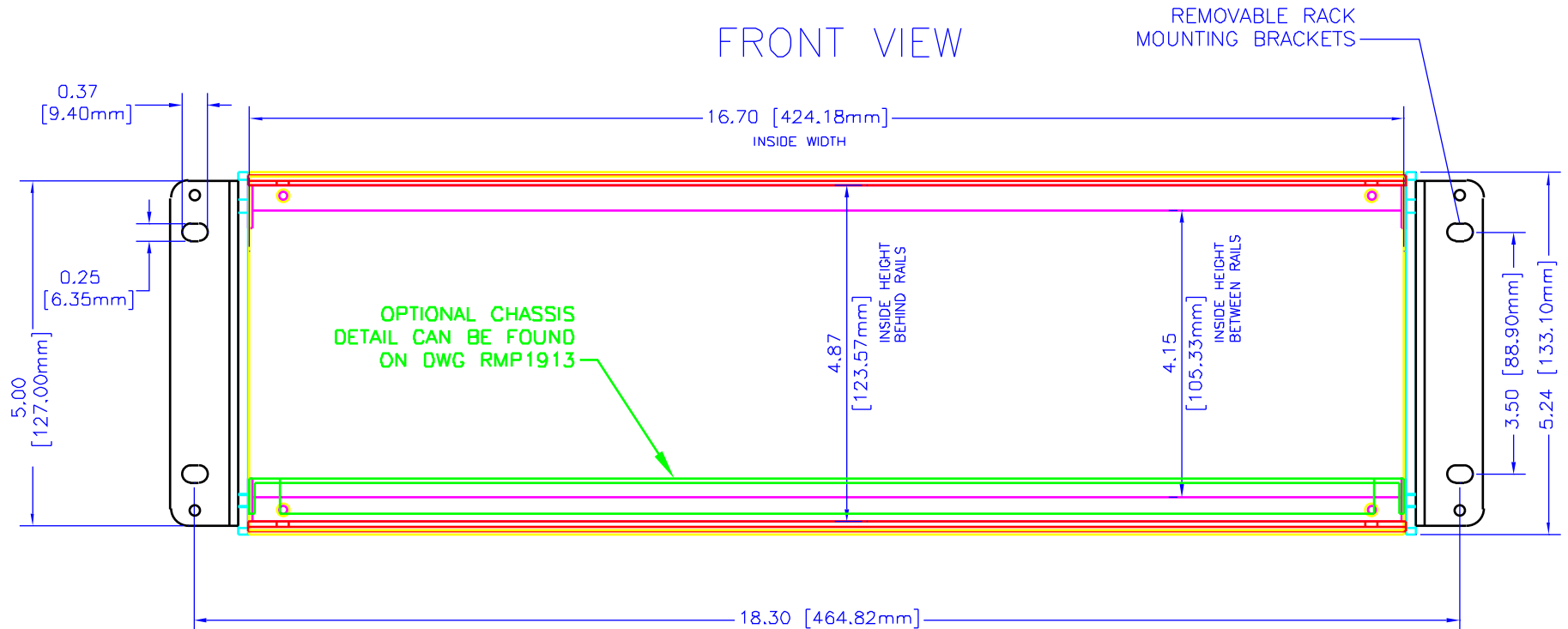
REV	DESCRIPTION	DATE
A	CORRECTED RACK MOUNT BRACKET DETAIL	06/17/01

NOTES

MATERIAL TOP & BOTTOM 0.062" STEEL, SIDES, FRONT, REAR & HORIZONTAL SUPPORTS 0.125" ALUMINUM, DIMENSIONS ARE TAKEN WITH THE PAINTED SURFACE

FINISH TOP, BOTTOM & SIDE PANELS, TEXTURED BLACK, FRONT/REAR PANELS ON SMOOTH BLACK, ONE CONTEMPRA GRAY (RAL 7032), ALL POWDER PAINT,

FRONT VIEW



UNLESS OTHERWISE SPECIFIED
DIMENSIONS ARE IN INCHES

X +/- .1
XX +/- .02
XXX +/- .015
CUTS +/- .000
ANGLES +/- 5 DEC.



**HAMMOND
MANUFACTURING**

TITLE HAMMOND RMCV SERIES
RACK ENCLOSURE

DRAWN BY MJM DATE 09/9/01
SCALE PAGE 1 OF 3

PART NUMBER
RMCV190513

HAMMOND CLAIMS PROPRIETARY RIGHTS TO THE MATERIAL ON THE DRAWING. IT IS INTENDED TO BE USED AS A REFERENCE FOR ENGINEERING INFORMATION ONLY. THIS INFORMATION MAY NOT BE USED TO MANUFACTURE PRODUCT WITHOUT WRITTEN PERMISSION FROM HAMMOND MANUFACTURING.

SIDE VIEW



UNLESS OTHERWISE SPECIFIED
DIMENSIONS ARE IN INCHES

X	+/- .1
XX	+/- .02
XXX	+/- .015
CUTS	+/- .005
ANGLES	+/- 5 DEC

NOTICE
HAMILTON CLARK PROPRIETARY RIGHTS TO
THE MATERIAL ON THIS DRAWING IS
INTENDED TO BE USED AS A REFERENCE FOR
DISCREPANCY INFORMATION ONLY. THIS
INFORMATION MAY NOT BE USED TO
REPRODUCE, REPLICATE, WITHOUT WRITTEN
PERMISSION FROM HAMILTON MANUFACTURING.

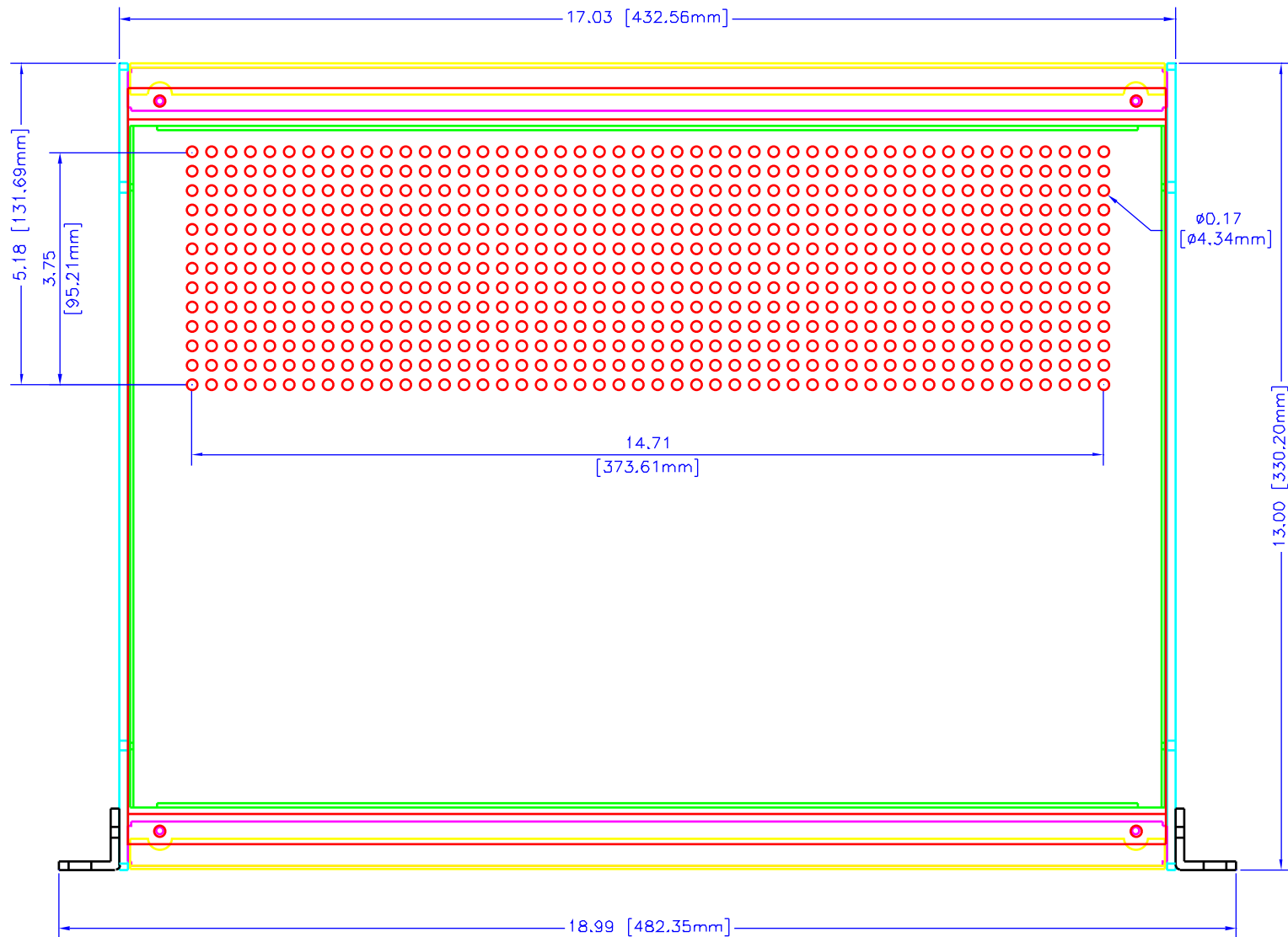


**HAMMOND
MANUFACTURING**

WEB: WWW.HAMMONDMFG.COM

TITLE	
HAMMOND RMCV SERIES RACK ENCLOSURE	
DRAWN BY	DATE
MJM	09/9/01
SCALE	PAGE
	2 OF 3
PART NUMBER	
RMCV190513	

TOP VIEW



UNLESS OTHERWISE SPECIFIED
DIMENSIONS ARE IN INCHES

X	+/- .1
XX	+/- .02
XXX	+/- .015
CUTS	+/- .003
ANGLES	+/- .5 DEG

NOTES:
HAMMOND CLAIMS PROPRIETARY RIGHTS TO THE MATERIAL ON THIS DRAWING. IT IS INTENDED TO BE USED AS A REFERENCE FOR ENGINEERING INFORMATION ONLY. THIS INFORMATION MAY NOT BE USED TO MANUFACTURE PRODUCT WITHOUT WRITTEN PERMISSION FROM HAMMOND MANUFACTURING.



**HAMMOND
MANUFACTURING**

WEB: WWW.HAMMONDMFG.COM

TITLE		HAMMOND RMCV SERIES RACK ENCLOSURE	
DRAWN BY	MJM	DATE	09/9/01
SCALE		PAGE	3 OF 3
PART NUMBER		RMCV190513	