

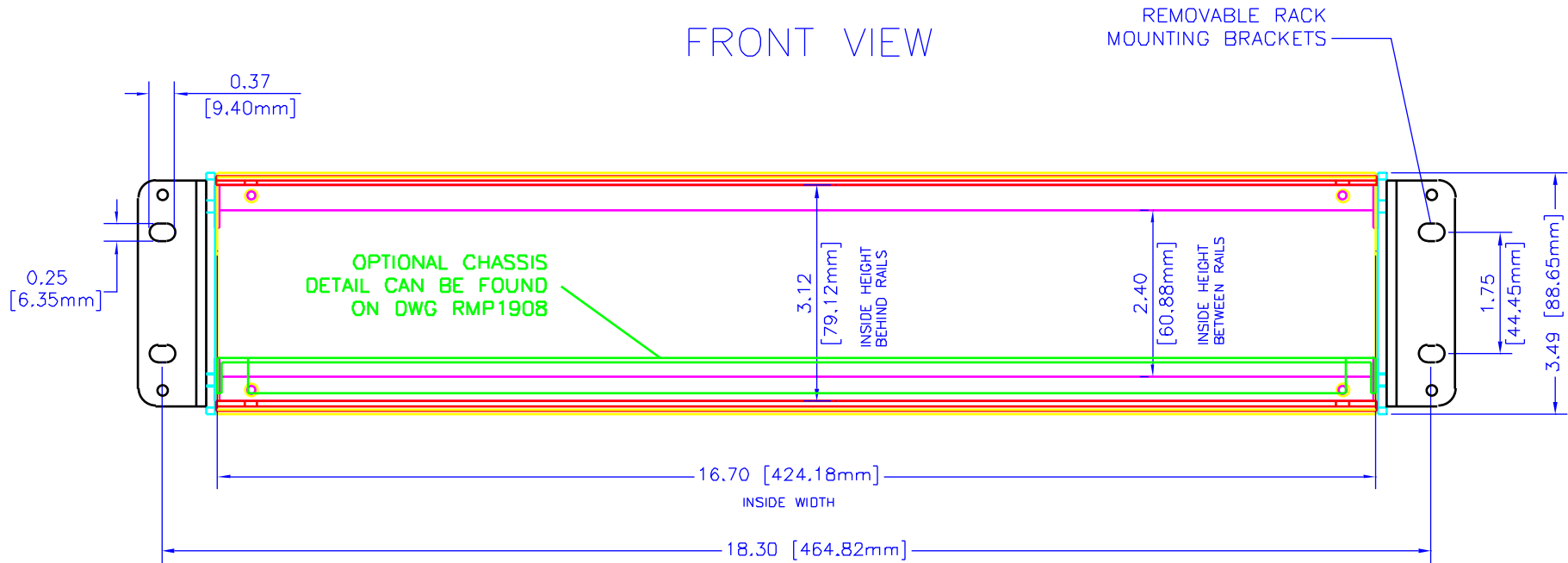
REV	DESCRIPTION	DATE
A	CORRECTED RACK MOUNT BRACKET DETAIL	10/11/01

## NOTES

**MATERIAL** TOP & BOTTOM 0.062" STEEL, SIDES, FRONT, REAR & HORIZONTAL SUPPORTS 0.125" ALUMINUM, DIMENSIONS ARE TAKEN WITH THE PAINTED SURFACE

**FINISH** TOP, BOTTOM & SIDE PANELS, TEXTURED BLACK, FRONT/REAR PANELS ON SMOOTH BLACK, ONE CONTEMPRA GRAY (RAL 7032), ALL POWDER PAINT,

## FRONT VIEW



UNLESS OTHERWISE SPECIFIED  
DIMENSIONS ARE IN INCHES

X +/- .1  
XX +/- .02  
XXX +/- .015  
CUTS +/- .005  
ANGLES +/- 5 DEC.

NOTES:  
HAMMOND CANNOT ASSUME RESPONSIBILITY FOR THE MATERIAL OR THE DRAWING. IT IS INTENDED TO BE USED AS A REFERENCE FOR ENGINEERING INFORMATION ONLY. THIS INFORMATION MAY NOT BE USED TO MANUFACTURE PRODUCT WITHOUT WRITTEN PERMISSION FROM HAMMOND MANUFACTURING.



**HAMMOND  
MANUFACTURING**

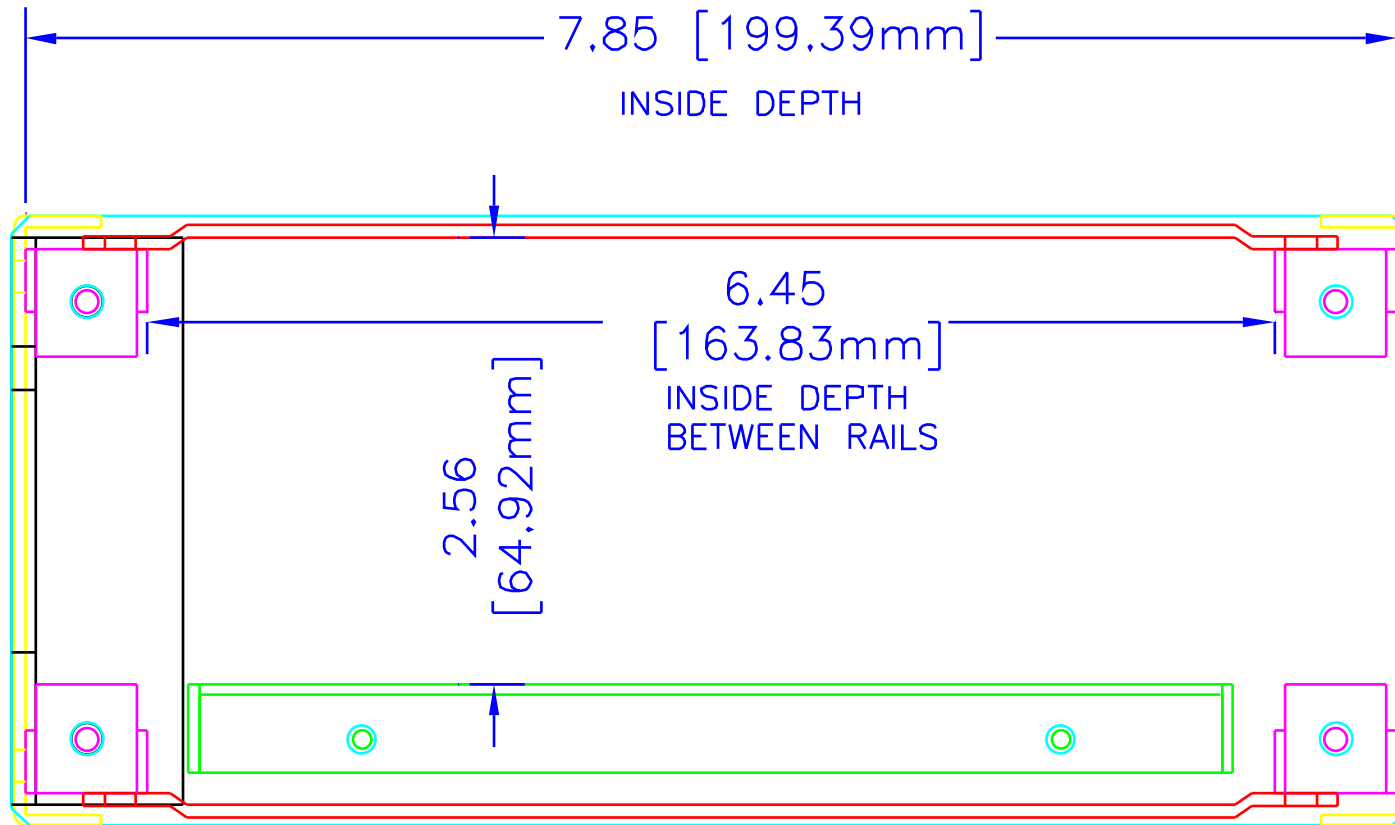
TITLE HAMMOND RMCV SERIES  
RACK ENCLOSURE

DRAWN BY MJM DATE 09/17/01

SCALE PAGE 1 OF 3

PART NUMBER  
RMCV19038

# SIDE VIEW



UNLESS OTHERWISE SPECIFIED  
DIMENSIONS ARE IN INCHES

FIN	+/- .1
DR	+/- .02
CAST	+/- .015
FORG	+/- .010
MACH	+/- .005

STRAIGHTENED DIMENSIONS SHALL BE  
AS SHOWN ON THE DRAWING. ALL  
DIMENSIONS ARE TO CENTER UNLESS  
OTHERWISE SPECIFIED. DIMENSIONS  
SHOWN ON THIS DRAWING ARE  
FOR INFORMATION ONLY. DIMENSIONS  
SHOWN ON THIS DRAWING ARE  
FOR INFORMATION ONLY. DIMENSIONS  
SHOWN ON THIS DRAWING ARE  
FOR INFORMATION ONLY.

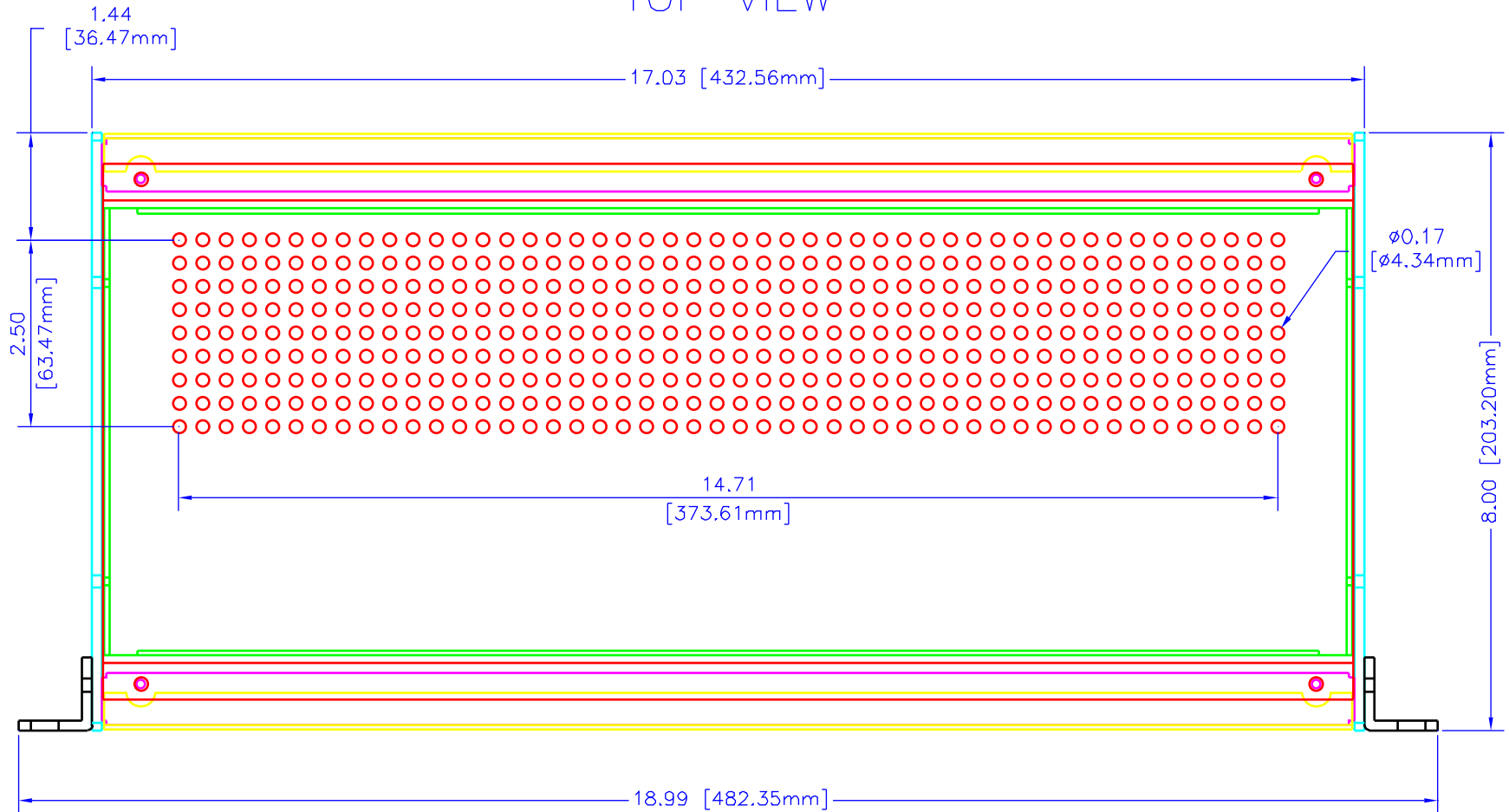


**HAMMOND  
MANUFACTURING**

WEB: [WWW.HAMMONDMFG.COM](http://WWW.HAMMONDMFG.COM)

TITLE		HAMMOND RMCV SERIES RACK ENCLOSURE	
DRAWN BY	MJM	DATE	09/17/01
SCALE		PAGE	2 OF 3
PART NUMBER		RMCV19038	

# TOP VIEW



UNLESS OTHERWISE SPECIFIED  
DIMENSIONS ARE IN INCHES

X	+/- .1
XX	+/- .02
XXX	+/- .015
CUTS	+/- .005
ANGLES	+/- 5 DEG.

NOTE:  
HAMMOND MANUFACTURING RESERVES THE RIGHT TO  
CHANGE THE DESIGN OF THIS DRAWING WITHOUT NOTICE.  
THIS INFORMATION IS FOR REFERENCE ONLY.  
NO INFORMATION MAY BE USED TO  
REPRODUCE OR MANUFACTURE A PRODUCT WITHOUT WRITTEN  
PERMISSION FROM HAMMOND MANUFACTURING



**HAMMOND  
MANUFACTURING**

WEB: [WWW.HAMMONDMFG.COM](http://WWW.HAMMONDMFG.COM)

TITLE  
**HAMMOND RMCV SERIES  
RACK ENCLOSURE**

DRAWN BY MJM DATE 09/17/01

SCALE PAGE 3 OF 3

PART NUMBER

**RMCV19038**