

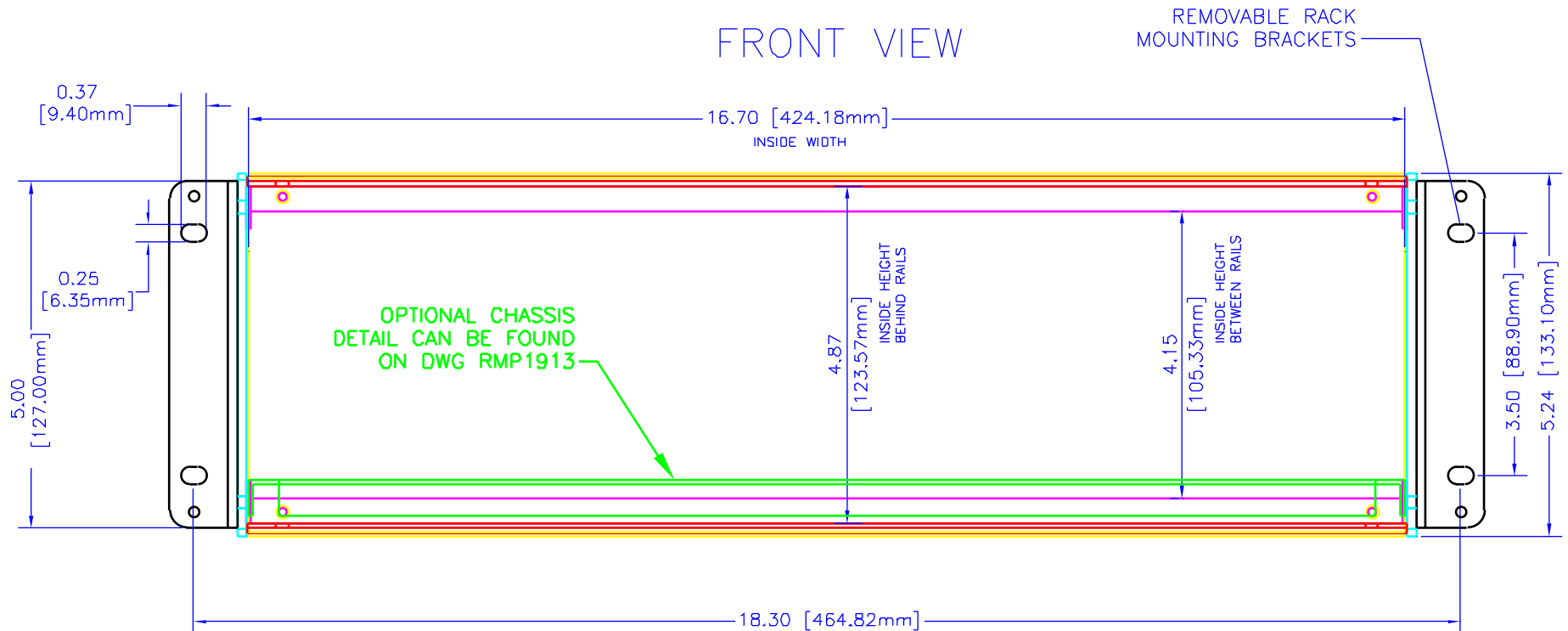
REV	DESCRIPTION	DATE
A	CORRECTED RACK MOUNT BRACKET DETAIL	10/17/01

## NOTES

**MATERIAL** TOP & BOTTOM 0.062" STEEL, SIDES, FRONT, REAR & HORIZONTAL SUPPORTS 0.125" ALUMINUM, DIMENSIONS ARE TAKEN WITH THE PAINTED SURFACE

**FINISH** TOP, BOTTOM & SIDE PANELS, TEXTURED BLACK, FRONT/REAR PANELS ON SMOOTH BLACK, ONE CONTEMPRA GRAY (RAL 7032), ALL POWDER PAINT,

## FRONT VIEW



UNLESS OTHERWISE SPECIFIED  
DIMENSIONS ARE IN INCHES

F +/- .1  
XX +/- .02  
XXX +/- .015  
DATE +/- .005  
ANGLES +/- 5 DEG.

NOTICE  
DRAWING CONTAINS PROPRIETARY RIGHTS TO THE MATERIAL OR THIS DRAWING, IT IS INTENDED TO BE USED AS A REFERENCE FOR ENGINEERING INFORMATION ONLY. THIS INFORMATION MAY NOT BE USED TO MANUFACTURE PRODUCT WITHOUT WRITTEN PERMISSION FROM HAMMOND MANUFACTURING.



**HAMMOND  
MANUFACTURING**

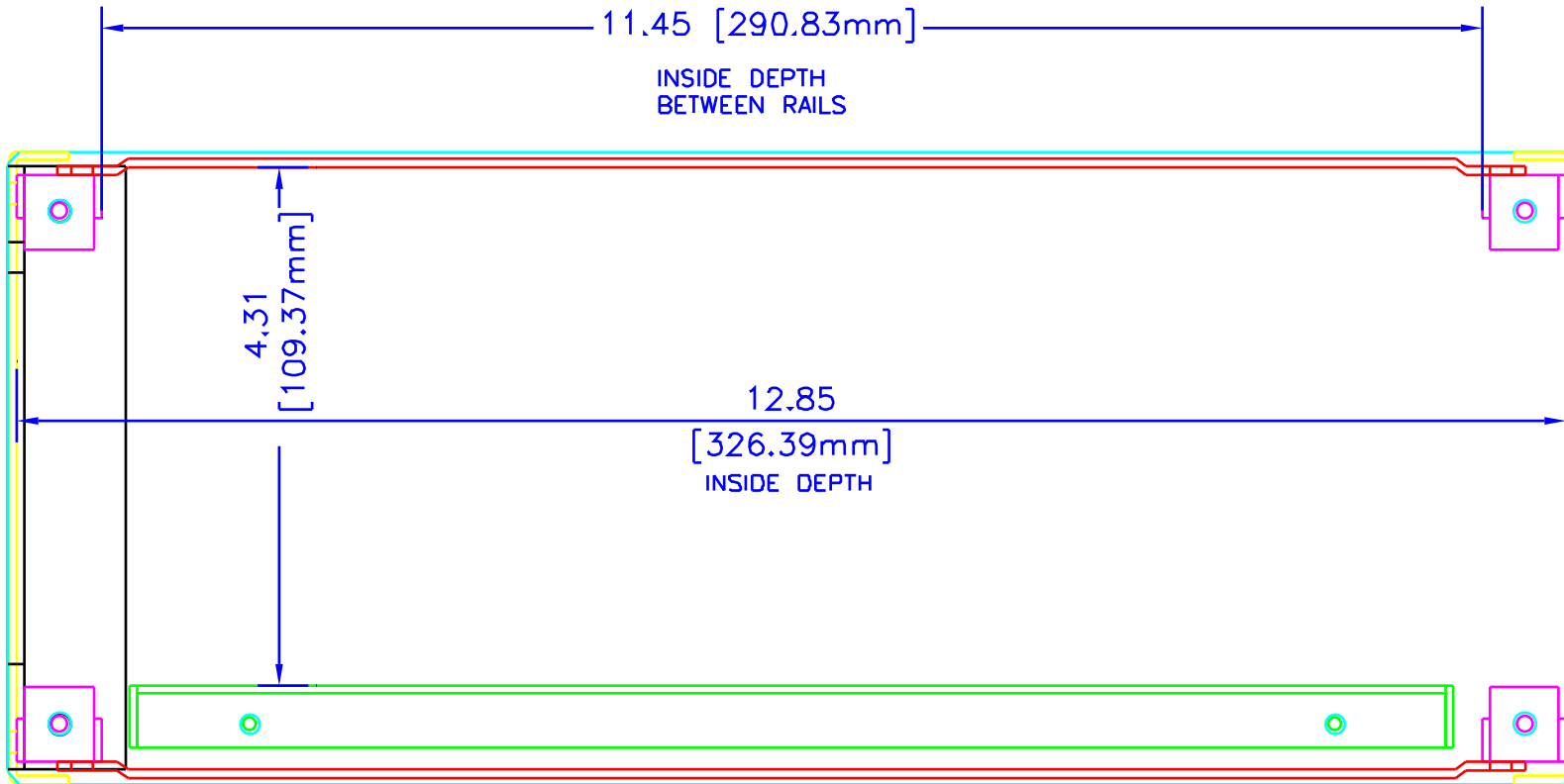
TITLE HAMMOND RMCS SERIES  
RACK ENCLOSURE

DRAWN BY MJM DATE 09/9/01

SCALE PAGE 1 OF 3

PART NUMBER  
RMCS190513

# SIDE VIEW



UNLESS OTHERWISE SPECIFIED  
DIMENSIONS ARE IN INCHES

F +/- .1  
M +/- .05  
S +/- .015  
D +/- .005  
H +/- .005

FINISHES  
UNLESS OTHERWISE SPECIFIED  
ALL SURFACES ARE TO BE FINISHED  
TO THE BEST OF THE MANUFACTURER'S  
ABILITY AND SHALL BE FREE OF  
DEFECTS AND IMPURITIES



**HAMMOND  
MANUFACTURING**

WEB: [WWW.HAMMONDMFG.COM](http://WWW.HAMMONDMFG.COM)

TITLE  
**HAMMOND RMCS SERIES  
RACK ENCLOSURE**

DRAWN BY MJM DATE 09/9/01  
SCALE PAGE 2 OF 3  
PART NUMBER  
**RMCS190513**

# TOP VIEW



UNLESS OTHERWISE SPECIFIED  
DIMENSIONS ARE IN INCHES

X	+/- .1
XX	+/- .02
XXX	+/- .015
CUTS	+/- .003
ANGLES	+/- .5 DEG

NOTES:  
HAMMOND CLAIMS PROPRIETARY RIGHTS TO THE MATERIAL ON THIS DRAWING. IT IS INTENDED TO BE USED AS A REFERENCE FOR ENGINEERING INFORMATION ONLY. THIS INFORMATION MAY NOT BE USED TO MANUFACTURE PRODUCT WITHOUT WRITTEN PERMISSION FROM HAMMOND MANUFACTURING.



**HAMMOND  
MANUFACTURING**

WEB: [WWW.HAMMONDMFG.COM](http://WWW.HAMMONDMFG.COM)

TITLE	
HAMMOND RMCS SERIES RACK ENCLOSURE	
DRAWN BY	MJM
DATE	09/9/01
SCALE	PAGE 3 OF 3
PART NUMBER	RMCS190513