

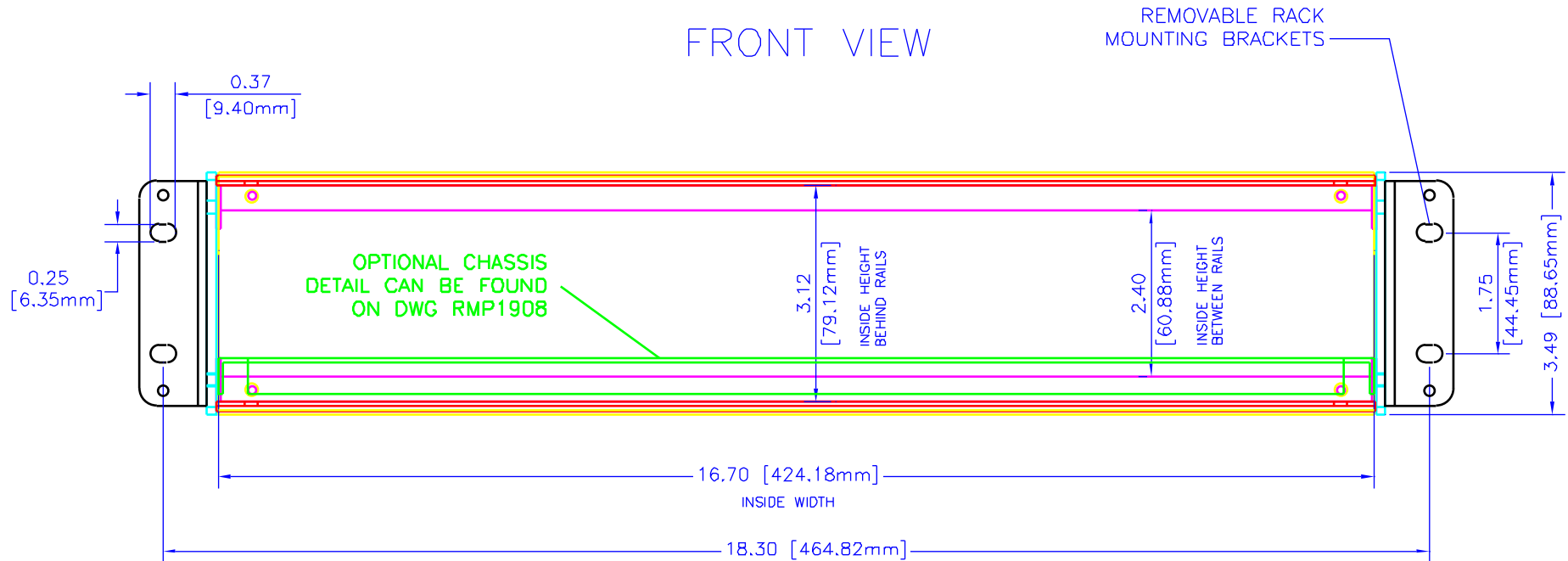
REV	DESCRIPTION	DATE
A	CORRECTED RACK MOUNT BRACKET DETAIL	10/11/01

## NOTES

**MATERIAL** TOP & BOTTOM 0.062" STEEL, SIDES, FRONT, REAR & HORIZONTAL SUPPORTS 0.125" ALUMINUM, DIMENSIONS ARE TAKEN WITH THE PAINTED SURFACE

**FINISH** TOP, BOTTOM & SIDE PANELS, TEXTURED BLACK, FRONT/REAR PANELS ON SMOOTH BLACK, ONE CONTEMPRA GRAY (RAL 7032), ALL POWDER PAINT,

## FRONT VIEW



UNLESS OTHERWISE SPECIFIED  
DIMENSIONS ARE IN INCHES

F +/- .1  
XX +/- .02  
XXX +/- .015  
ZITE +/- .005  
ANGLES +/- .5 DEG.

**NOTICE**  
DRAWING CONCLUDES PROPRIETARY RIGHTS TO THE MATERIAL ON THIS DRAWING. IT IS INTENDED TO BE USED AS A REFERENCE FOR ENGINEERING INFORMATION ONLY. THIS INFORMATION MAY NOT BE USED TO MANUFACTURE PRODUCT WITHOUT WRITTEN PERMISSION FROM HAMMOND MANUFACTURING.



**HAMMOND  
MANUFACTURING**

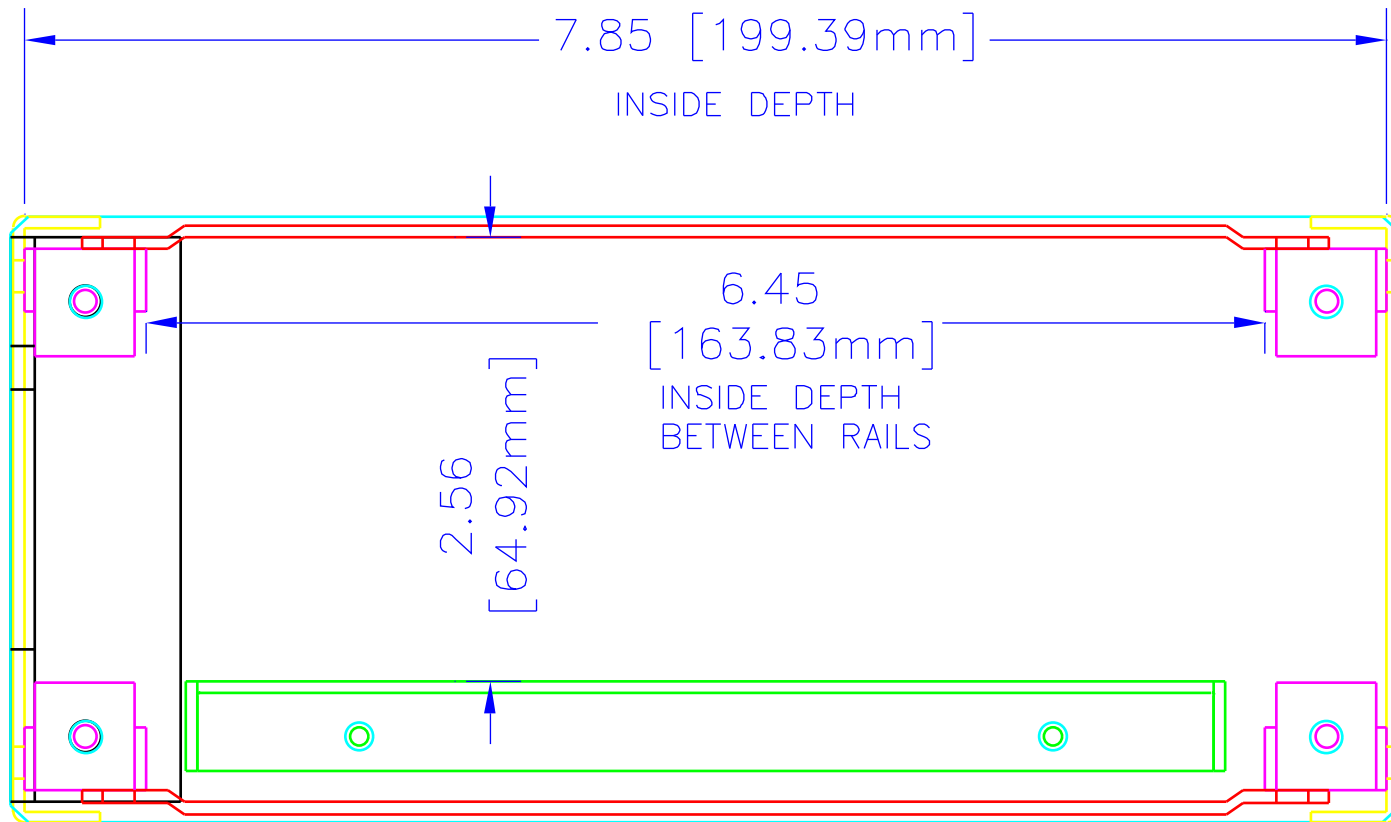
TITLE HAMMOND RMCS SERIES  
RACK ENCLOSURE

DRAWN BY MJM DATE 09/17/01

SCALE PAGE 1 OF 3

PART NUMBER  
RMCS19038

# SIDE VIEW



UNLESS OTHERWISE SPECIFIED DIMENSIONS ARE IN INCHES	
X	+/- .1
XX	+/- .02
XXX	+/- .015
CUTS	+/- .005
ANGLES	+/- 5 DEC

**NOTICE**  
HAMILTON CLAIMS PROPRIETARY RIGHTS TO  
THE MATERIAL ON THIS DRAWING. IT IS  
INTENDED TO BE USED AS A REFERENCE FOR  
DISCREPANCY INFORMATION ONLY. THIS  
INFORMATION MAY NOT BE USED TO  
REPRODUCE, REPLICATE, WITHOUT WRITTEN  
PERMISSION FROM HAMILTON MANUFACTURING.



**HAMMOND  
MANUFACTURING**

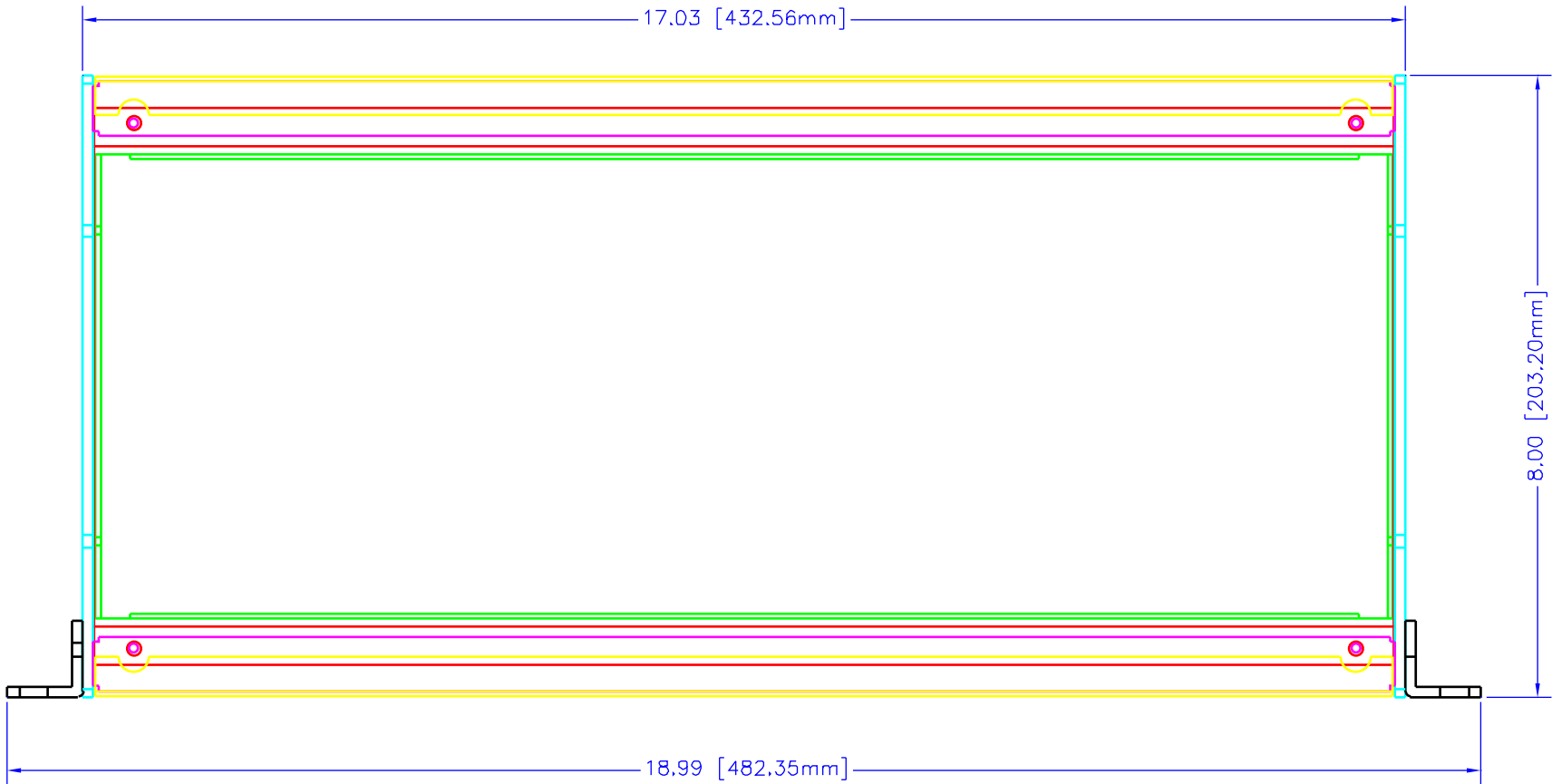
WEB: [WWW.HAMMONDMFG.COM](http://WWW.HAMMONDMFG.COM)

TITLE  
HAMMOND RMCS SERIES  
RACK ENCLOSURE

DRAWN BY	MJM	DATE	09/17/01
SCALE		PAGE	2 OF 3

PART NUMBER  
RMCS19038

# TOP VIEW



UNLESS OTHERWISE SPECIFIED DIMENSIONS ARE IN INCHES	
X	+/- .1
XX	+/- .02
XXX	+/- .015
CUTS	+/- .002
ANGLES	+/- 5 DEC
NOTICE	
HAMILTON CLAIMS PROPRIETARY RIGHTS TO THE MATERIAL ON THIS DRAWING. IT IS INTENDED TO BE USED AS A REFERENCE FOR DISCREPANCY INFORMATION ONLY. THIS INFORMATION MAY NOT BE USED TO MANUFACTURE, REPRODUCE, WITHOUT WRITTEN PERMISSION FROM HAMILTON MANUFACTURING.	



**HAMMOND  
MANUFACTURING**

WEB: [WWW.HAMMONDMFG.COM](http://WWW.HAMMONDMFG.COM)

TITLE		HAMILTON RMCS SERIES RACK ENCLOSURE	
DRAWN BY	MJM	DATE	09/17/01
SCALE		PAGE	3 OF 3
PART NUMBER		RMCS19038	