

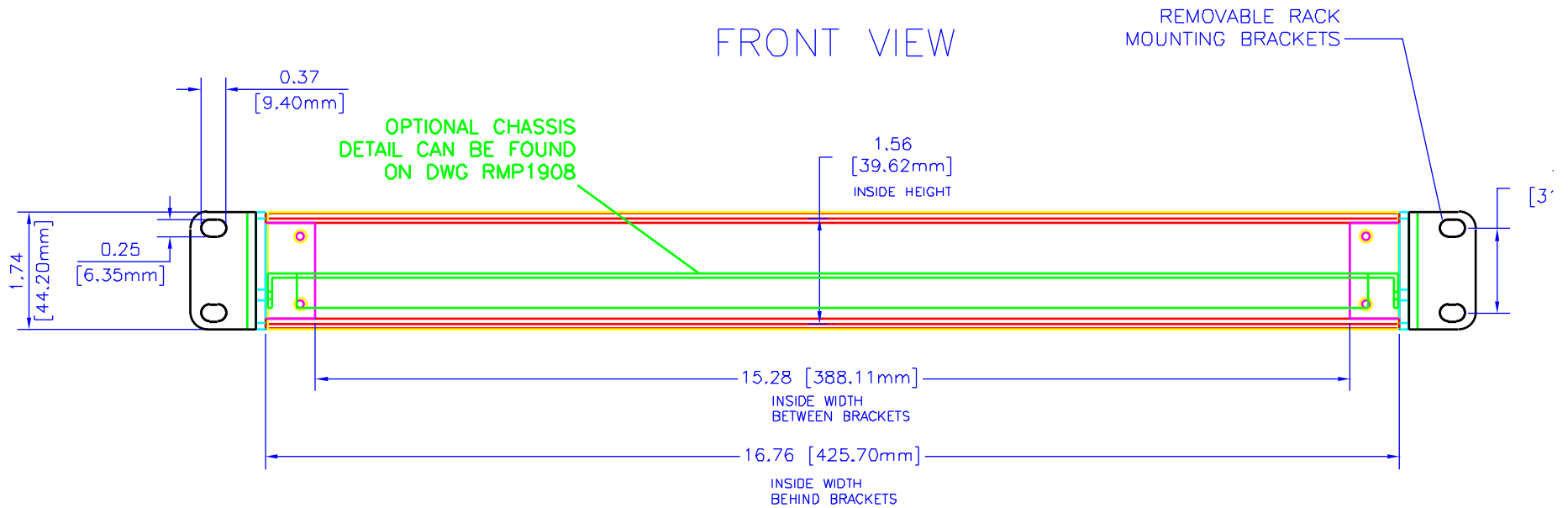
REV	DESCRIPTION	DATE
A	CORRECTED RACK MOUNT BRACKET DETAIL	10/11/01

NOTES

MATERIAL TOP & BOTTOM 0.062" STEEL, SIDES, FRONT, REAR & HORIZONTAL SUPPORTS 0.125" ALUMINUM, DIMENSIONS ARE TAKEN WITH THE PAINTED SURFACE

FINISH TOP, BOTTOM & SIDE PANELS, TEXTURED BLACK, FRONT/REAR PANELS ON SMOOTH BLACK, ONE CONTEMPRA GRAY (RAL 7032), ALL POWDER PAINT,

FRONT VIEW



UNLESS OTHERWISE SPECIFIED
DIMENSIONS ARE IN INCHES

X +/- .1
XX +/- .02
XXX +/- .015
CUTS +/- .005
ANGLES +/- 5 DEG.

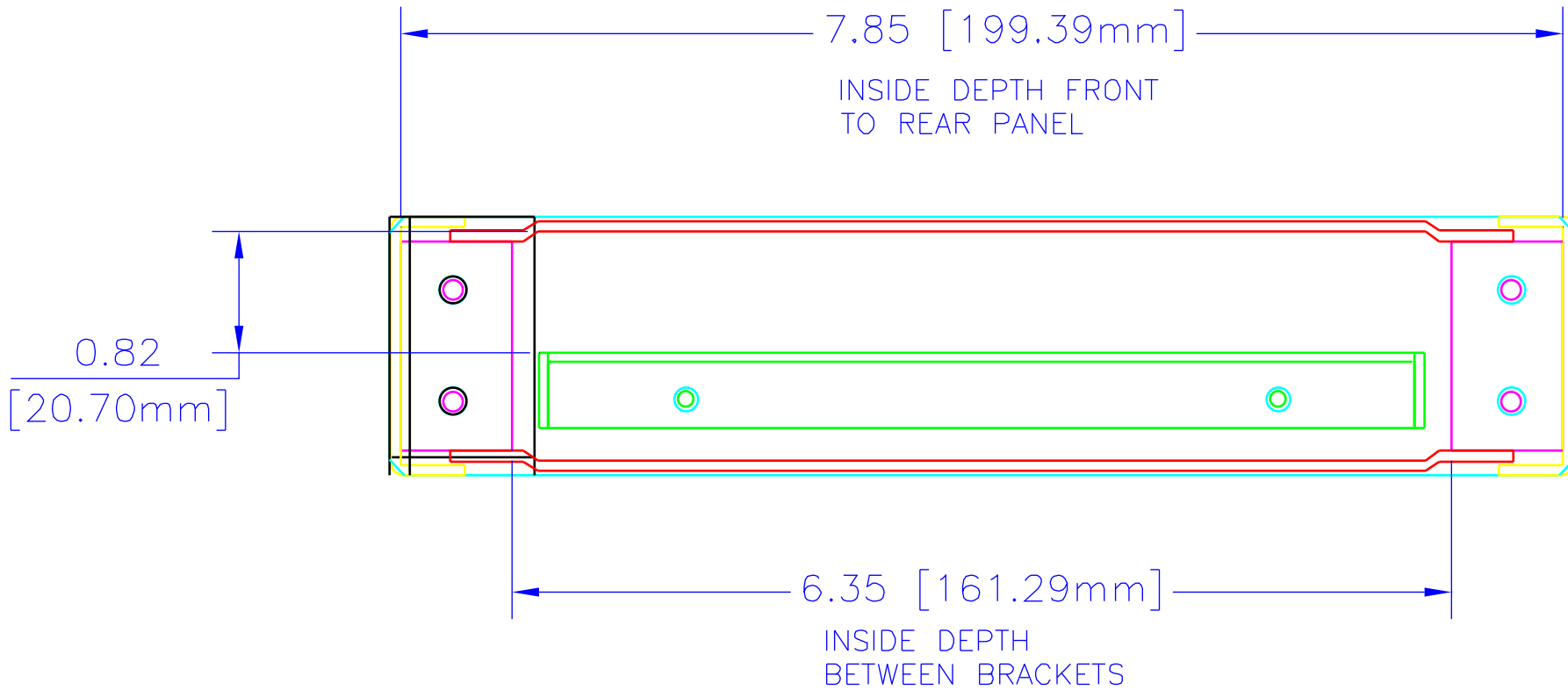
NOTES
HAMMOND MAKES PROPRIETARY RIGHTS IN THE MATERIAL ON THE DRAWING. IT IS INTENDED TO BE USED AS A REFERENCE FOR ENGINEERING INFORMATION ONLY. THIS INFORMATION MAY NOT BE USED TO MANUFACTURE PRODUCT WITHOUT WRITTEN PERMISSION FROM HAMMOND MANUFACTURING.



**HAMMOND
MANUFACTURING**

TITLE		HAMMOND RMCS SERIES RACK ENCLOSURE	
DRAWN BY	MJM	DATE	10/04/01
SCALE		PAGE	1 OF 3
PART NUMBER		RMCS19018	

SIDE VIEW



UNLESS OTHERWISE SPECIFIED
DIMENSIONS ARE IN INCHES
XX +/- .1
XXX +/- .02
XXX +/- .015
CLFS +/- .005
ANGLES +/- .5 DEG

NOTICE
HAMMOND CLAIMS PROPRIETARY RIGHTS TO
THE MATERIAL ON THIS DRAWING. IT IS
INTENDED TO BE USED AS A REFERENCE FOR
ENGINEERING INFORMATION ONLY. THIS
INFORMATION MAY NOT BE USED TO
MANUFACTURE PRODUCT WITHOUT WRITTEN
PERMISSION FROM HAMMOND MANUFACTURING.

**HAMMOND
MANUFACTURING**

WEB: WWW.HAMMONDMFG.COM

TITLE		HAMMOND RMCS SERIES RACK ENCLOSURE	
DRAWN BY	MJM	DATE	10/04/01
SCALE		PAGE	2 OF 3
PART NUMBER		RMCS19018	

