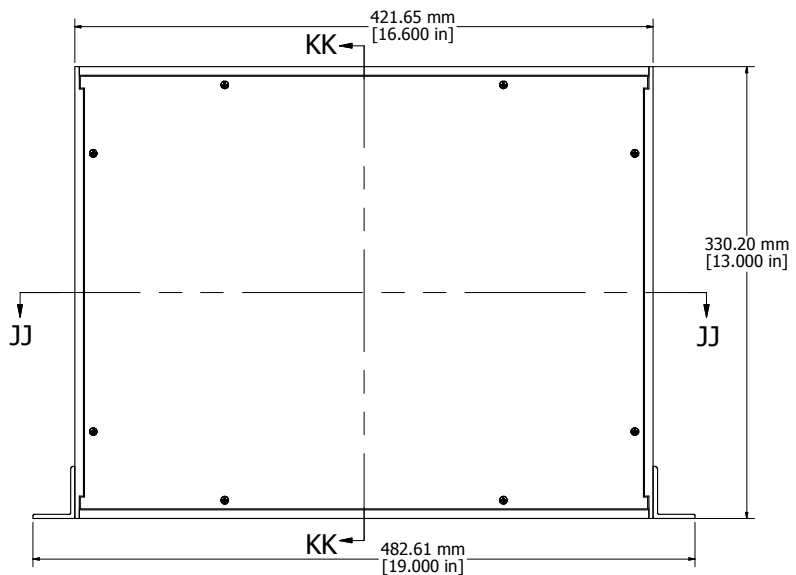
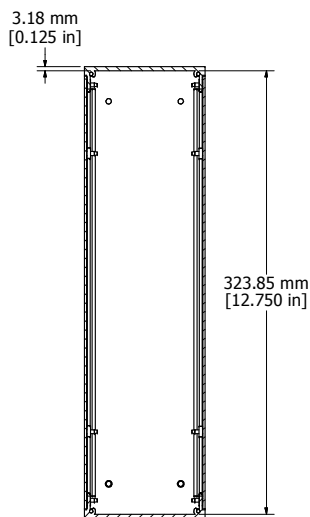


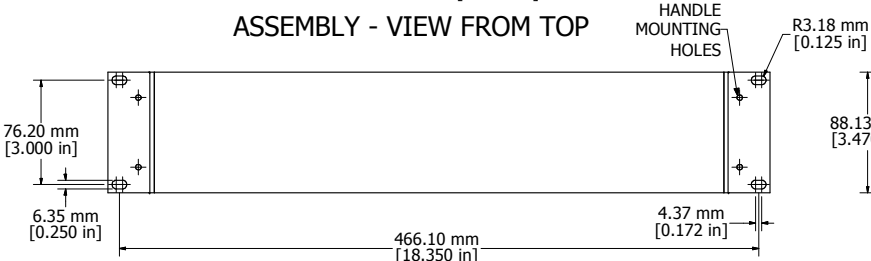
SECTION JJ-JJ



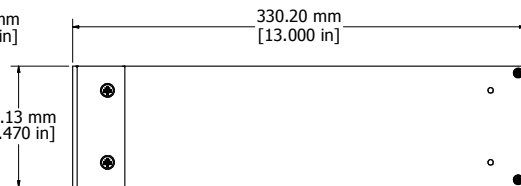
ASSEMBLY - VIEW FROM TOP



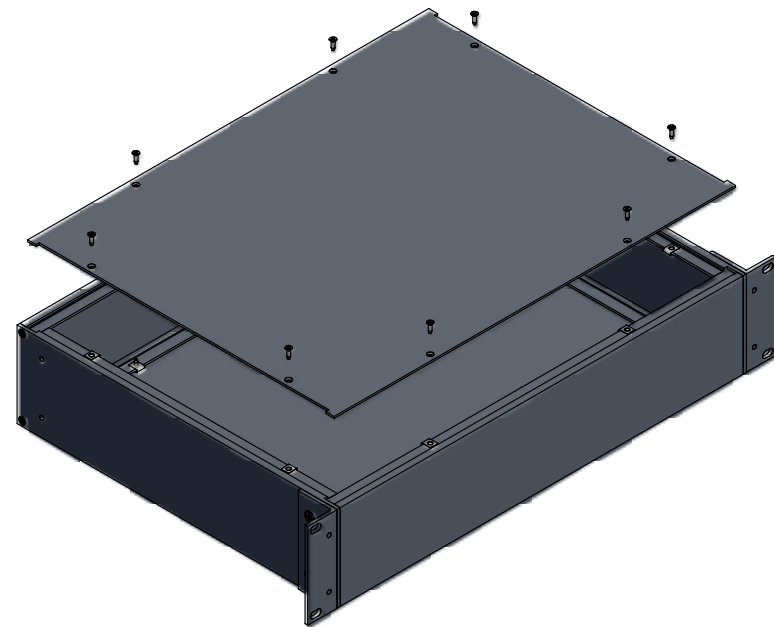
SECTION KK-KK



ASSEMBLY - VIEW FROM FRONT



ASSEMBLY - VIEW FROM SIDE



RM2U1913SBK	
Extruded Aluminum Frame - Type 6063	
2 Panels - .064" Aluminum (5052-H32) Powder Coat (RAL 7032)	
2 Mounting Brackets - .125" Aluminum	
16 Screws - Flat Head 4-40 x 3/8"	
8 Screws - Counter Sunk Head 6-32 x 3/8"	
4 Screws - Counter Sunk Head 10-32 x 3/8"	
16 Nuts - #4 Speed Nuts	
Four Self Adhesive Rubber Feet - 1421T3	
ACCESSORIES	
PULL HANDLES	1427E1BK

Enclosures can be Factory Modified ( Milling, Drilling, Printing etc. )  
 Contact Factory [mjm@hammondmfg.com](mailto:mjm@hammondmfg.com) for quotes  
 Solid models of this enclosure available in STEP or IGES.



**HAMMOND  
MANUFACTURING™**

**RM2U1913SBK**

[www.hammondmfg.com](http://www.hammondmfg.com)