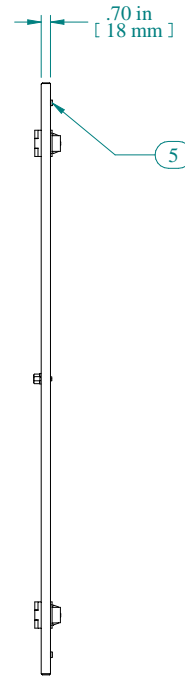
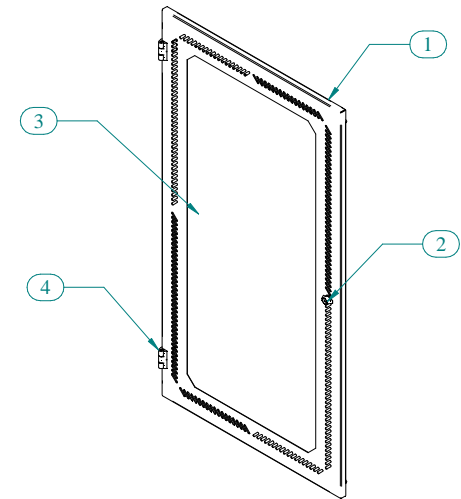


FRONT VIEW



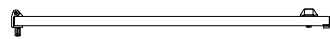
R.S. VIEW



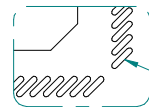
Item Number	Title	Quantity
1	MODIFIED PLEXI/VENTED DOOR	1
2	WING KNOB LOCK W/ LOC13390 CAM	1
3	PLEXI WINDOW - 18.00 X 39.00	1
4	DOOR HINGE BODY	2
5	BUMPER FEET-RUBBER STICK ON	2

PART NUMBERS	
RCSC19042WDBK1	PAINTED BLACK TEXTURED

NOTES

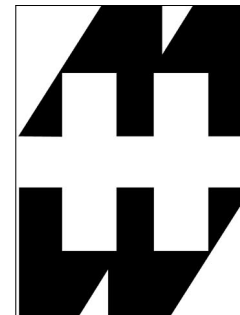


BOTTOM VIEW



0.28 X 1.00
VENTILATION SLOTS
TYP AS SHOWN

Data subject to change without notice. Isometric drawing not to scale.



**HAMMOND
MANUFACTURING™**

www.hammondmfg.com

PART NO. RCSC19042WD