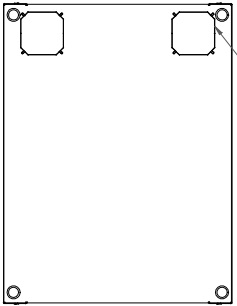
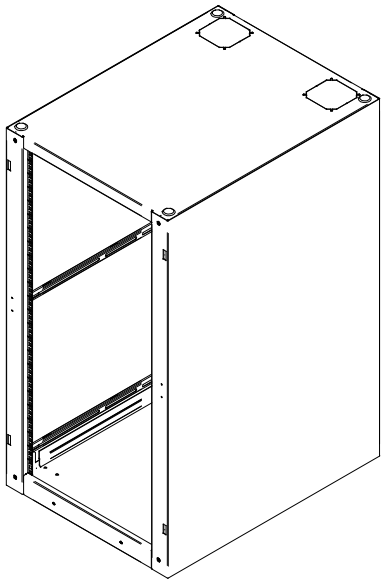
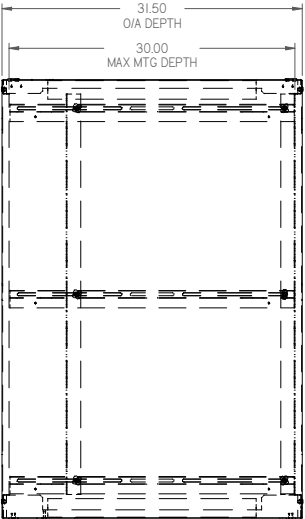

PART No. RCSC1904231
 for more information visit
www.hammfg.com
 Data subject to change without notice.
 Isometric drawing not to scale.
 Shipped knockdown for handling ease
 & protection.

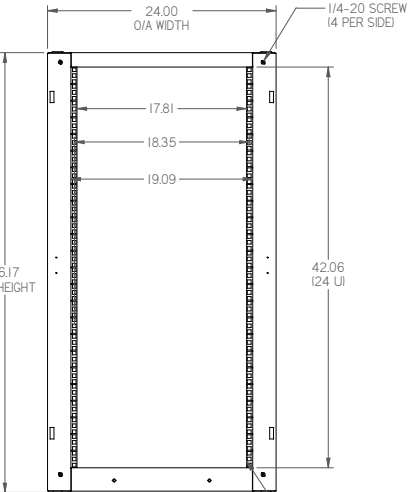


4" MUFFIN FAN CUTOUT OR CABLE PASS-THRU HOLE (KNOCK-OUT)

TOP VIEW



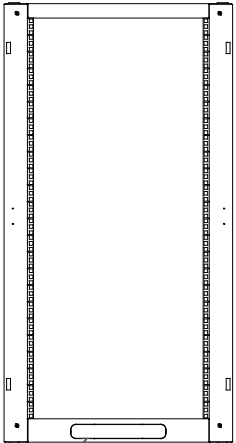
L.S. VIEW



FRONT VIEW



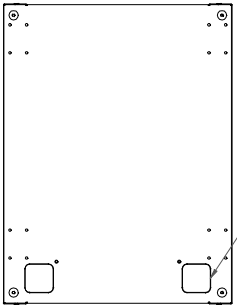
R.S. VIEW



REAR VIEW

1.50 X 10.00 GLAND OPENING (KNOCK-OUT)

INCLUDES 2 PAIR OF ADJUSTABLE SQUARE HOLE PANEL RAILS.



3" X 3" CABLE PASS-THRU HOLE (KNOCK-OUT)

BOTTOM VIEW