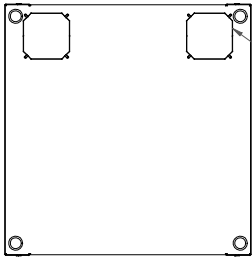
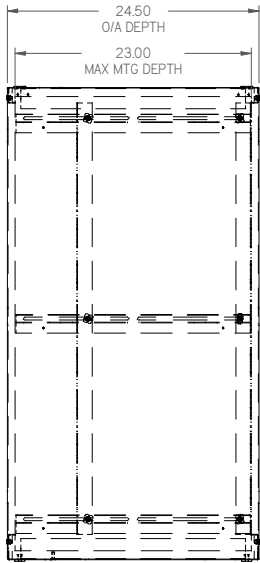
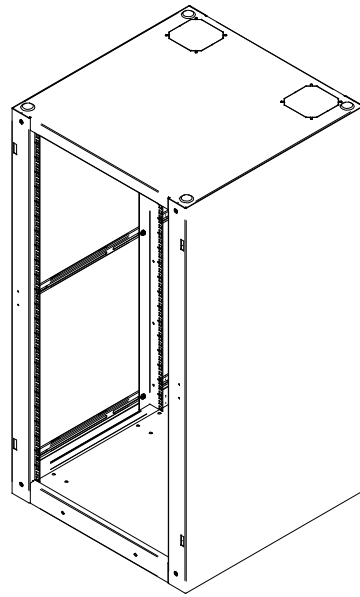



PART No. RCSC1904224
 for more information visit
www.hammfg.com
 Data subject to change without notice.
 Isometric drawing not to scale.
 Shipped knockdown for handling ease
 & protection.

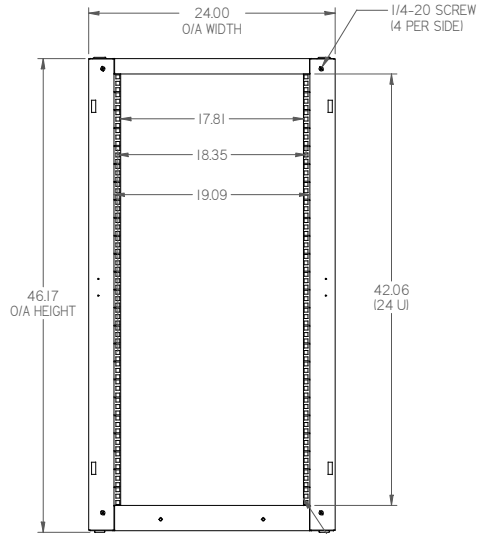


TOP VIEW

4" MUFFIN FAN
CUTOUT OR CABLE
PASS-THRU HOLE
(KNOCK-OUT)

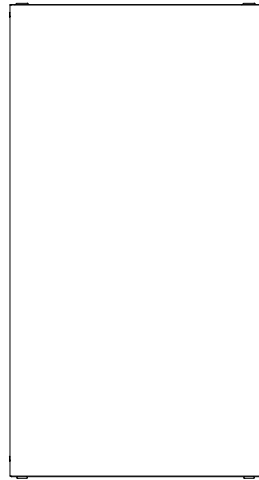


L.S. VIEW

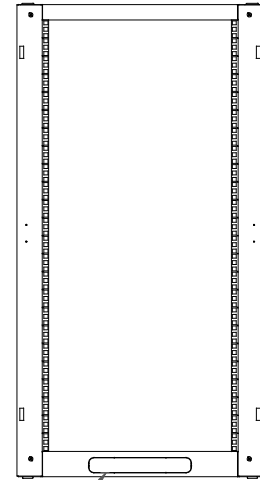


FRONT VIEW

INCLUDES 2 PAIR OF
ADJUSTABLE SQUARE
HOLE PANEL RAILS.

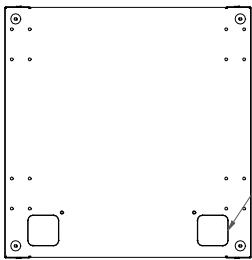


R.S. VIEW



REAR VIEW

1.50 X 10.00
GLAND OPENING
(KNOCK-OUT)



BOTTOM VIEW

3" X 3" CABLE
PASS-THRU HOLE
(KNOCK-OUT)