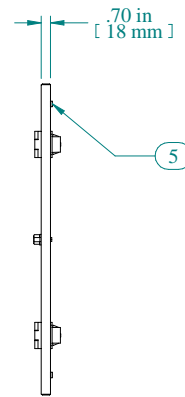
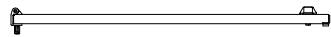
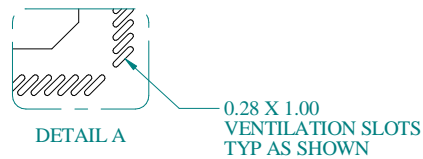


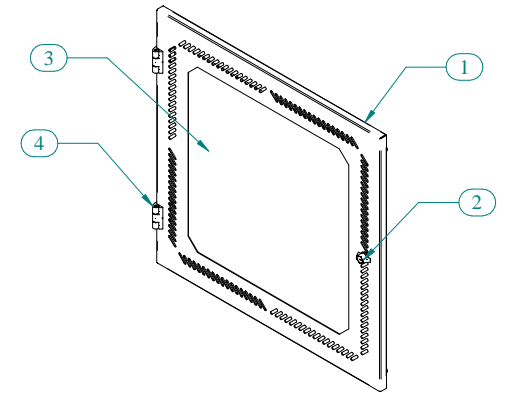
FRONT VIEW



R.S. VIEW



BOTTOM VIEW



Item Number	Title	Quantity
1	MODIFIED PLEXI/VENTED DOOR	1
2	WING KNOB LOCK W/ LOC13390 CAM	1
3	PLEXI WINDOW - 18.00 X 18.00	1
4	DOOR HINGE BODY	2
5	BUMPER FEET-RUBBER STICK ON	2

PART NUMBERS	
RCSC19021WDBK1	PAINTED BLACK TEXTURED

NOTES

Data subject to change without notice. Isometric drawing not to scale.



**HAMMOND
MANUFACTURING™**

www.hammondmfg.com

PART NO. RCSC19021WD