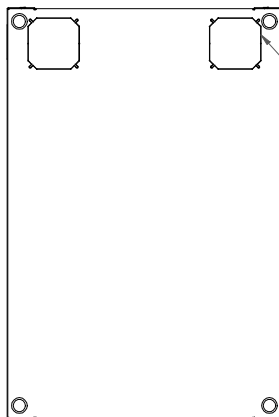
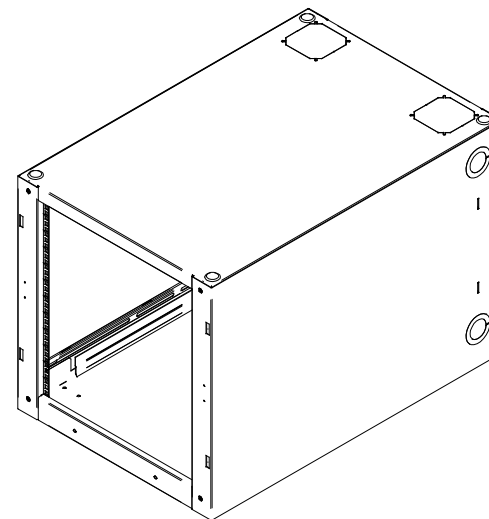




PART No. RCSC1902136

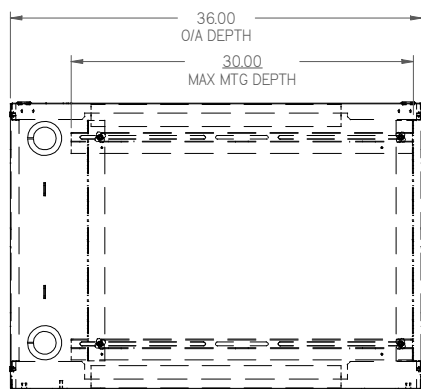
for more information visit
www.hammfg.com

Data subject to change without notice.
Isometric drawing not to scale.
Shipped knockdown for handling ease
& protection.

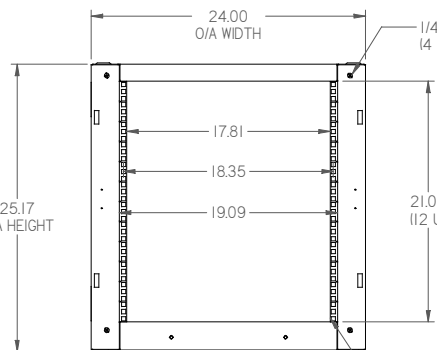


4' MUFFIN FAN
CUTOUT OR CABLE
PASS-THRU HOLE
(KNOCK-OUT)

TOP VIEW



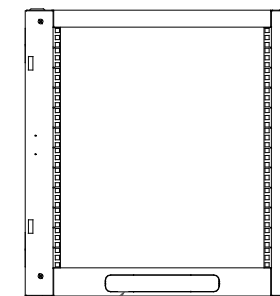
L.S. VIEW



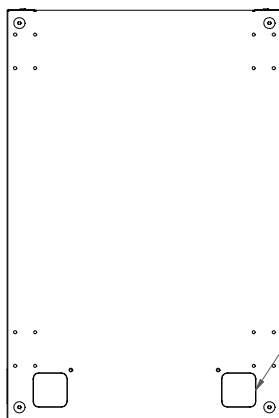
FRONT VIEW



R.S. VIEW



REAR VIEW



BOTTOM VIEW

1/4-20 SCREW
(4 PER SIDE)

INCLUDES 2 PAIR OF
ADJUSTABLE SQUARE
HOLE PANEL RAILS.

3' X 3' CABLE
PASS-THRU HOLE
(KNOCK-OUT)

CABLE-TIE LANCE
(2 PER SIDE)

1.50 X 10.00
GLAND OPENING
(KNOCK-OUT)

2.00 X 3.00
DOUBLE KNOCK-OUT
(2 PER SIDE)