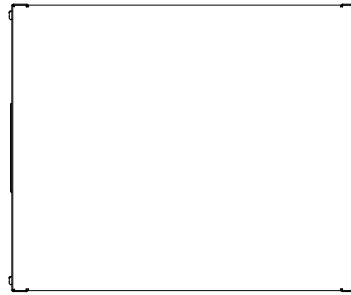


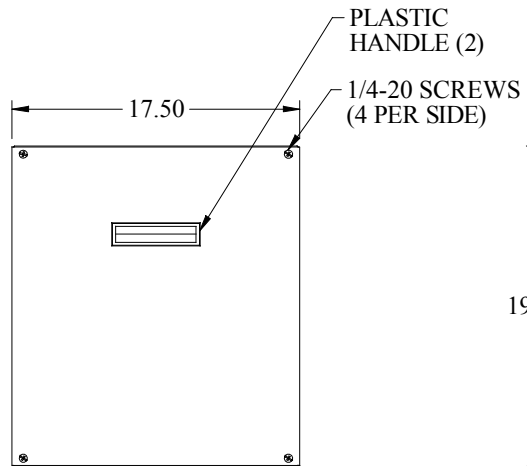
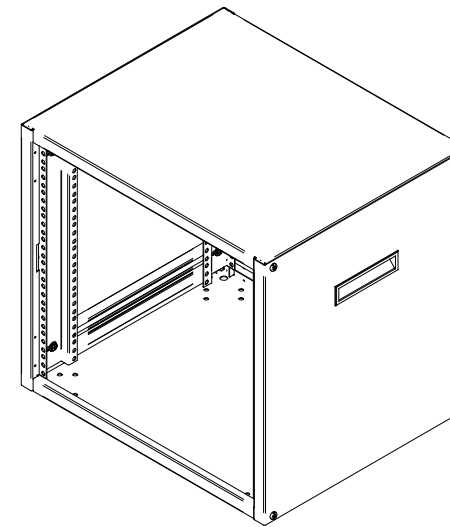
PART No. RCHS1901717

for more information visit  
[www.hammfg.com](http://www.hammfg.com)

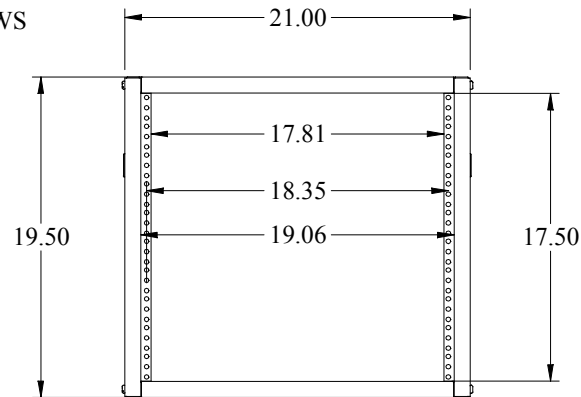
Data subject to change without notice.  
Isometric drawing not to scale.  
Shipped knockdown for handling ease  
& protection.



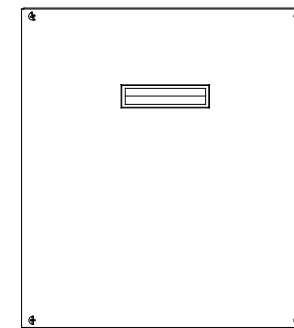
TOP VIEW



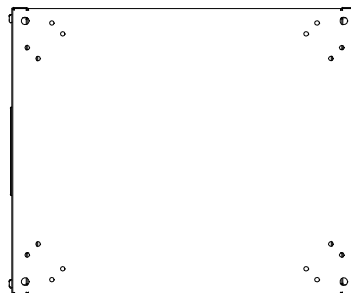
L.S. VIEW



FRONT VIEW



R.S. VIEW



BOTTOM VIEW