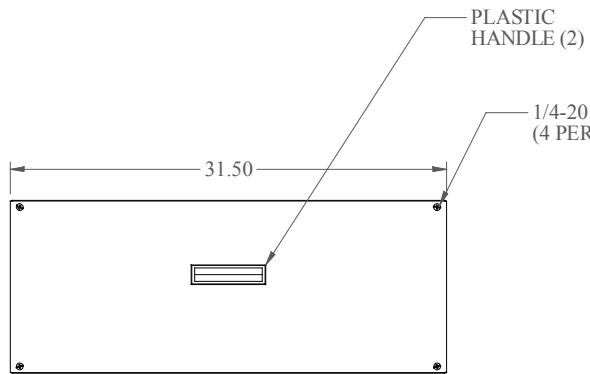
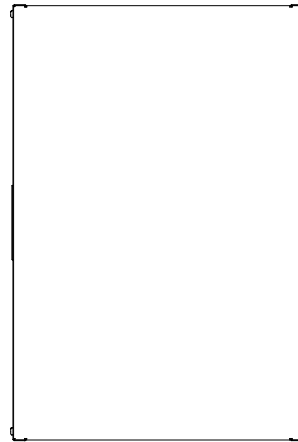




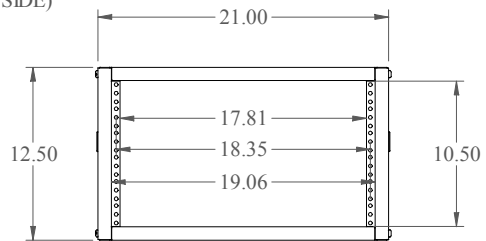
PART No. RCHS1901031
 for more information visit
www.hammfg.com
 Data subject to change without notice.
 Isometric drawing not to scale.
 Shipped knockdown for handling ease
 & protection.



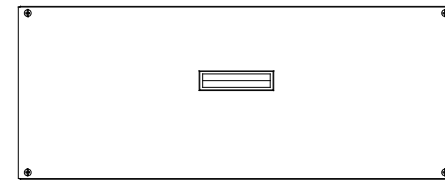
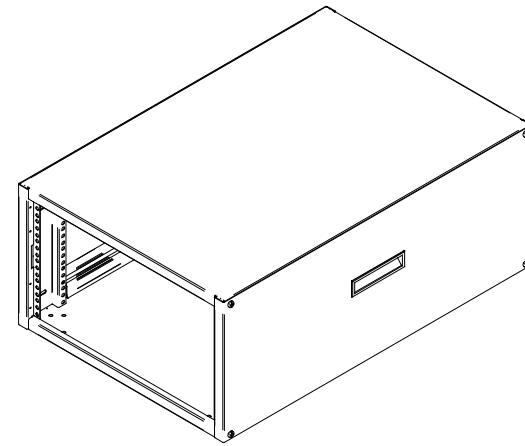
L.S. VIEW



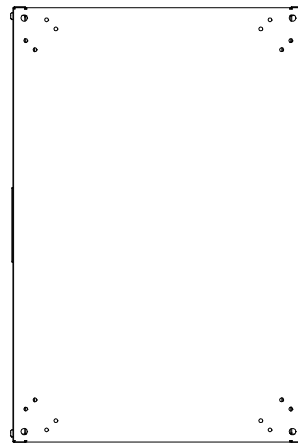
TOP VIEW



FRONT VIEW



R.S. VIEW



BOTTOM VIEW