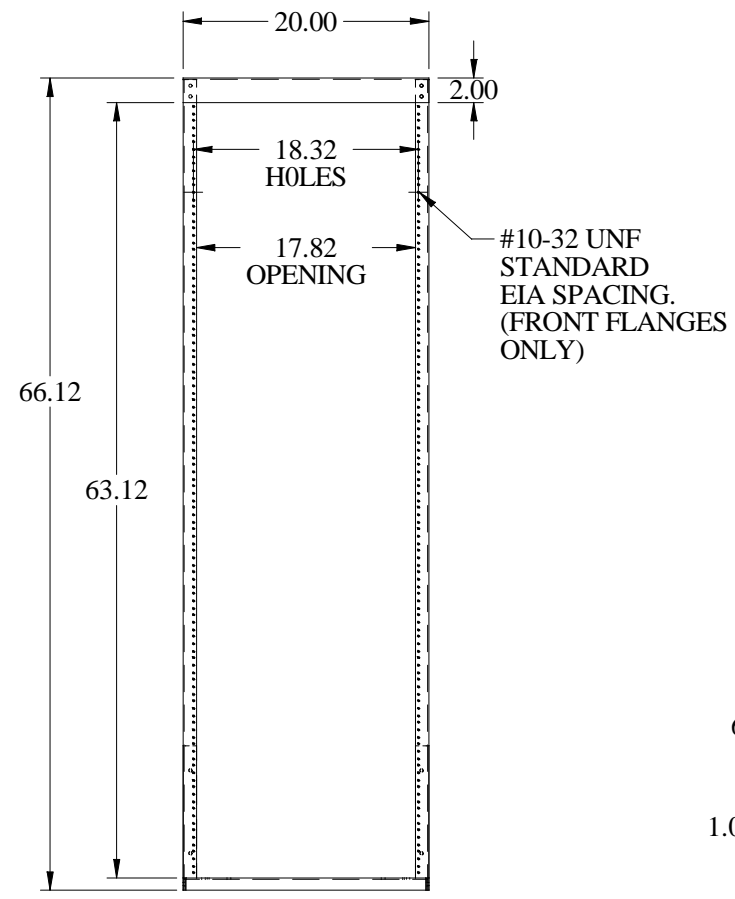
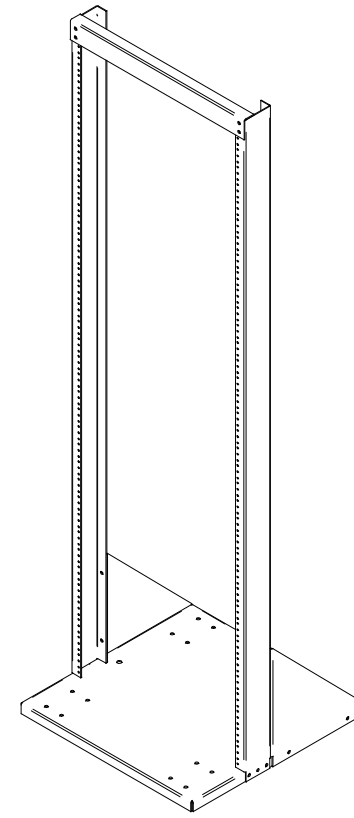
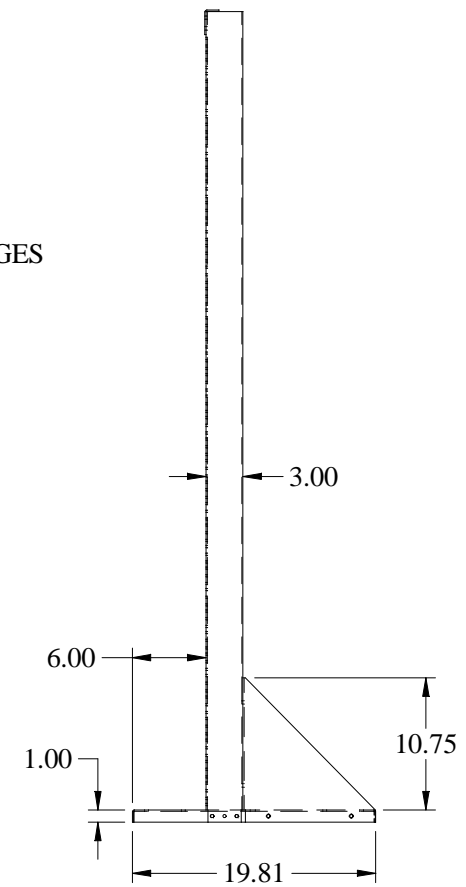


**PART No. DNRR1963LDK**  
 for more information visit  
[www.hammondmfg.com](http://www.hammondmfg.com)  
 Data subject to change without notice  
 Isometric drawing Not to Scale



FRONT VIEW



SIDE VIEW