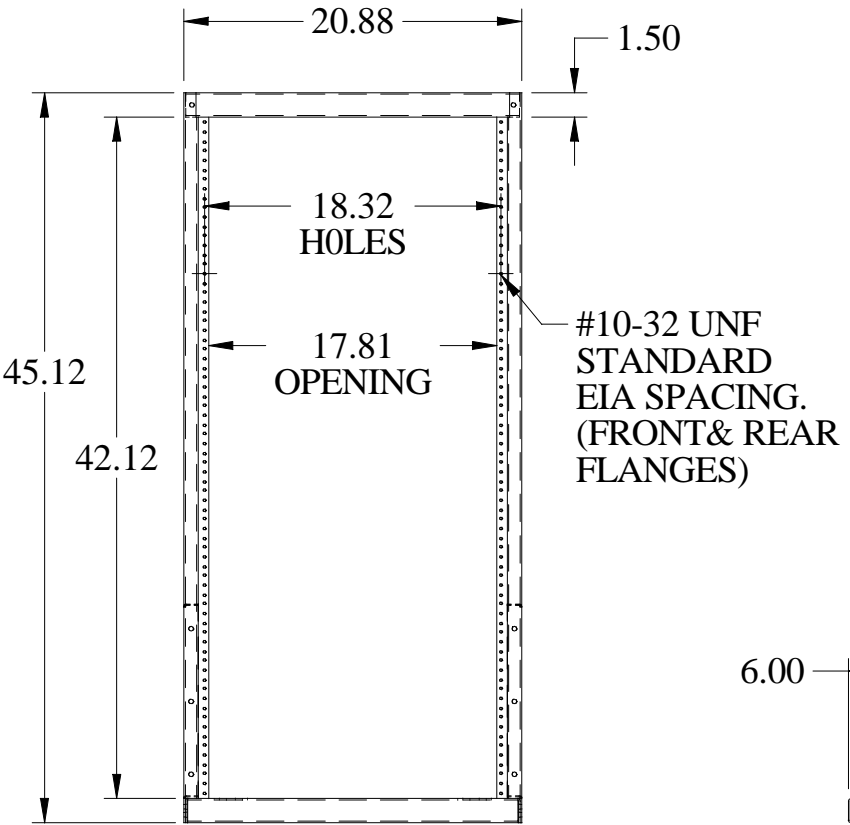
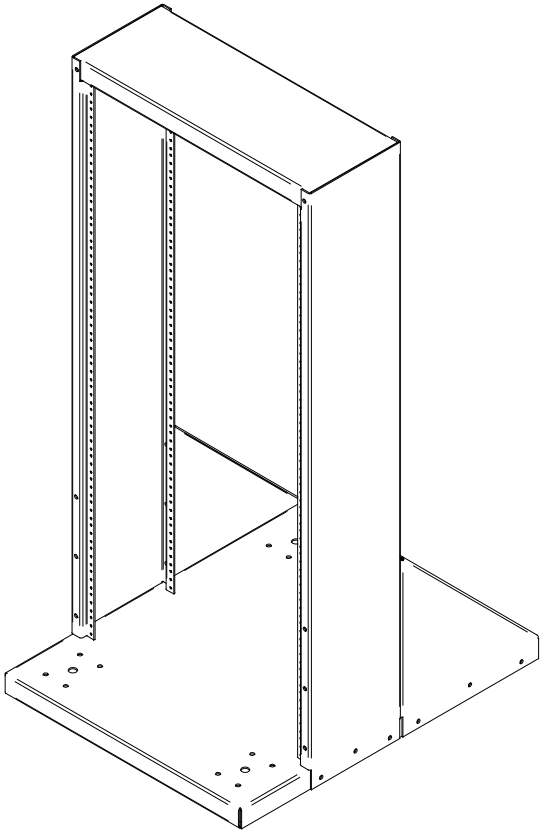
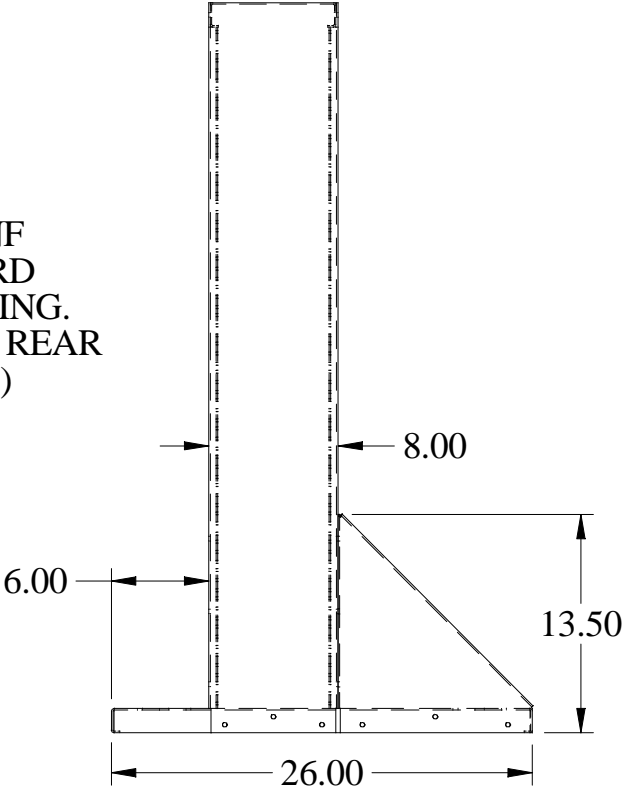


PART No. DNRR1942DCK
 for more information visit
www.hammondmfg.com
 Data subject to change without notice
 Isometric drawing Not to Scale



FRONT VIEW



SIDE VIEW