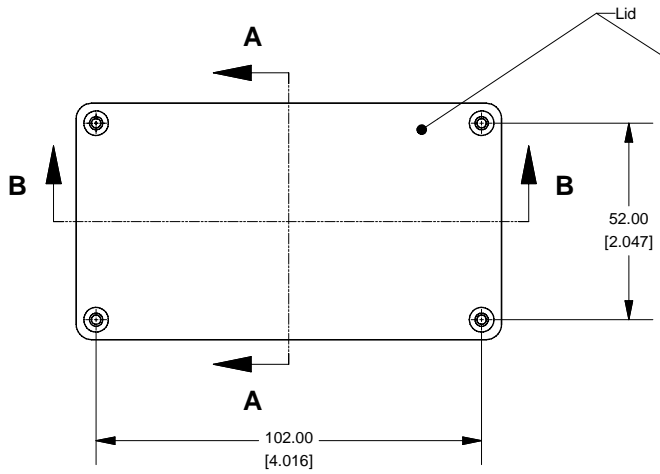
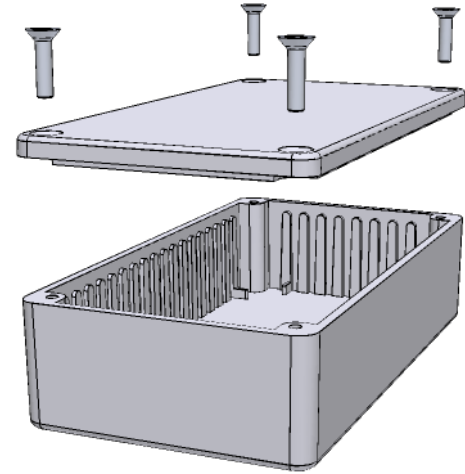
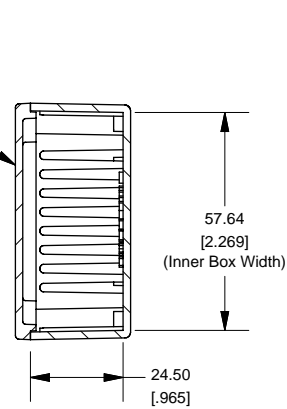


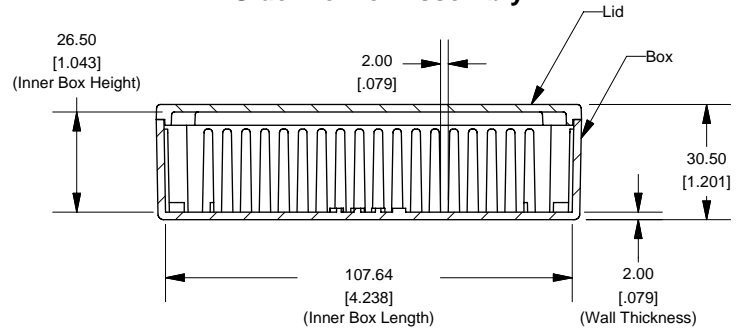
Top View of Assembly



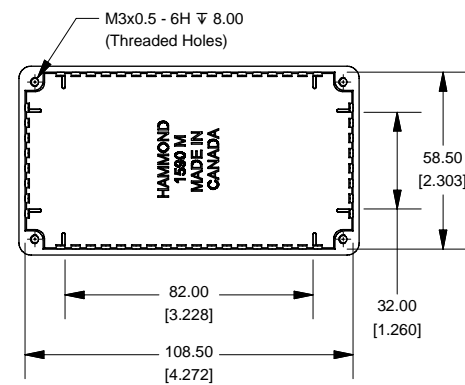
SECTION A-A End View of Assembly



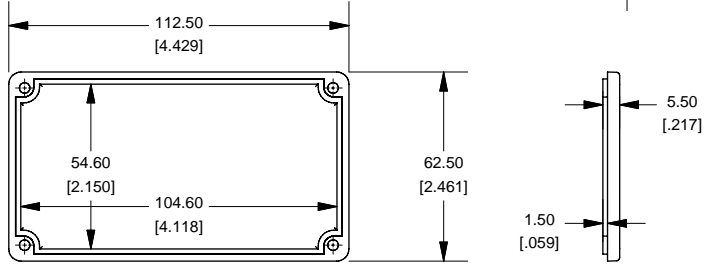
SECTION B-B Side View of Assembly



Top View Looking Inside Box



Lid



Enclosures can be Factory Modified (Milling, Drilling, Printing etc.)
 Contact Factory mjm@hammondmfg.com for quotes
 Solid models of this enclosure available in STEP or IGES.

NOTE

Purchased assembly includes box, lid and 4 cover screws.
 Box and lid are made from Diecast Aluminum Alloy (alloy type 380).
 Silicone Gasket Loctite #5950

PART NUMBERS

1590M Enclosure	
Unfinished	1590M
Grey Textured Polyester Powder Paint - RAL 7038	1590MGY
Black Textured Polyester Powder Paint - RAL 9011	1590MBK
ACCESSORIES	
Recommended Torque: 75 ozf.in / 55 cN.m	
Unfinished Cover Screws (Pkg 100) [M3 - 0.5 x 10mm Nickel Plated Screws]	1591MS100
Black Textured Cover Screws (Pkg 100) [M3 - 0.5 x 10mm Nickel Plated Screws]	1591MS100BK



**HAMMOND
MANUFACTURING™**

1590M

www.hammondmfg.com