

Polyester Modular Enclosures - NEMA 4X

PHW Series - Heavy Duty Wallmount Enclosures



Panel
Sold
Separately



Corrosion Resistant

Wallmount Enclosures

Application

- These enclosures are specially designed to accommodate electrical, electronic, instrumentation and mechanical controls indoors and outdoors.
- For use where corrosion resistant watertight enclosures are needed to provide protection against windblown dust and rain, splashing and hose directed water.

Standards

- UL 508 1, 3, 3R, 4, 4X, 12
- CSA 1, 3, 3R, 4, 4X, 12
- **Complies with**
 - NEMA 1, 3, 3R, 4, 4X, 12
 - IEC 60529, IP 66

Construction

- Compression molded, fiberglass reinforced polyester.
- Memory retaining, continuous door gasket standard.
- Molded in panel mounting inserts (except where noted).
- Integral mounting feet.
- Stainless steel hardware.
- Padlocking provision.
- Stainless steel butterfly type "twist latch" door fasteners.
- Door is supported with a continuous hinge.
- For corrosion resistance information, please refer to table in the Technical Information section.

Finish

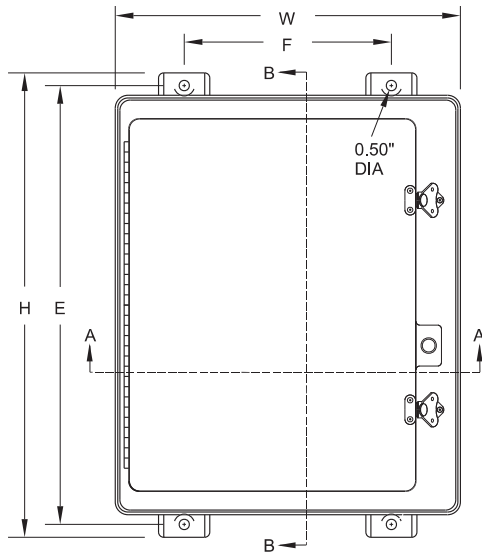
- Fiberglass reinforced material is finished in light gray.

Accessories

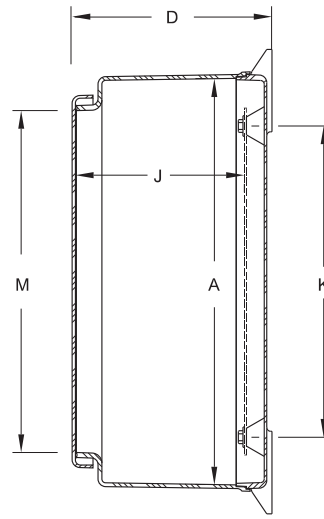
- Inner Panels

Polyester Modular Enclosures - NEMA 4X

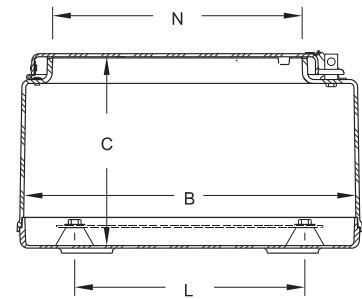
PHW Series - Heavy Duty Wallmount Enclosures



Front View



Section B-B



Section A-A

Part No.	Overall Dimensions			Inside Dimensions			Mtg. Centers			Enclosure Opening		Optional Panel Part No.	Ship Wt. lbs		
	H	W	D	A	B	C	E	F	J	K	L			M	N
PHW20166	inch 22.75 mm 578	16.87 429	7.77 197	19.70 500	16.04 407	7.24 184	21.50 546	10.12 257	6.26 159	15.25 387	11.25 286	16.75 425	12.19 310	18P1713	17
PHW20168	inch 22.75 mm 578	16.87 429	9.77 248	19.70 500	16.04 407	9.24 235	21.50 546	10.12 257	8.26 210	15.25 387	11.25 286	16.75 425	12.19 310	18P1713	22
PHW201610	inch 22.75 mm 578	16.87 429	11.77 299	19.70 500	16.04 407	11.24 286	21.50 546	10.12 257	10.26 261	15.25 387	11.25 286	16.75 425	12.19 310	18P1713	23
PHW201612	inch 22.75 mm 578	16.87 429	13.77 350	19.70 500	16.04 407	13.24 336	21.50 546	10.12 257	12.26 312	15.25 387	11.25 286	16.75 425	12.19 310	18P1713	24
PHW241210	inch 26.95 mm 685	13.72 348	11.99 304	24.00 610	12.87 327	11.33 288	25.75 654	6.25 159	10.33 262	19.25 489	7.25 184	21.00 533	8.37 213	18P2109	25
PHW24208	inch 27.00 mm 686	21.24 539	9.90 252	24.05 611	20.39 518	9.25 235	25.75 654	14.00 356	8.25 209	19.25 489	15.25 387	21.25 540	16.00 406	18P2117	32
PHW242410	inch 27.00 mm 686	25.25 641	11.90 302	24.05 611	24.39 619	11.25 286	25.75 654	17.87 454	10.25 260	19.25 489	19.25 489	21.25 540	20.00 508	18P2121	42
PHW30208	inch 32.86 mm 835	20.99 533	9.89 251	29.90 760	20.14 511	9.23 234	31.75 806	14.25 362	8.23 209	25.25 641	15.25 387	27.00 686	16.50 419	18P2717	36
PHW302010	inch 32.86 mm 835	20.99 533	11.89 302	29.90 760	20.14 511	11.23 285	31.75 806	14.25 362	10.23 260	25.25 641	15.25 387	27.00 686	16.50 419	18P2717	39
PHW30247	inch 33.41 mm 849	26.32 668	8.81 224	30.46 774	25.47 647	8.12 206	32.25 819	18.50 470	7.12 181	25.25 641	19.25 489	27.38 695	21.25 540	18P2721	45
PHW302410	inch 33.41 mm 849	26.32 668	11.95 304	30.46 774	25.47 647	11.27 286	32.25 819	18.50 470	10.27 261	25.25 641	19.25 489	27.38 695	21.25 540	18P2721	50
PHW302412	inch 33.41 mm 849	26.32 668	13.79 350	30.46 774	25.47 647	13.10 333	32.25 819	18.50 470	12.1 307	25.25 641	19.25 489	27.38 695	21.25 540	18P2721	54
PHW363010	inch 39.31 mm 999	32.50 826	12.05 306	36.31 922	31.69 805	11.36 289	38.13 968	23.88 606	10.36 263	31.25 794	25.25 641	33.25 845	27.25 692	18P3327	78
PHW363012	inch 39.31 mm 999	32.50 826	14.05 357	36.31 922	31.69 805	13.36 339	38.13 968	23.88 606	12.36 314	31.25 794	25.25 641	33.25 845	27.25 692	18P3327	81
PHW483616	inch 51.29 mm 1303	36.62 930	17.93 456	48.33 1228	36.22 920	17.25 438	50.12 1273	29.25 743	16.25 413	43.25 1099	31.25 794	45.25 1149	32.00 813	18P4533	108
PHW603616	inch 63.50 mm 1613	36.50 927	18.12 460	60.13 1527	36.13 918	17.44 443	62.25 1581	28.50 724	16.44 418	53.06 1348	31 787	55.75 1416	32.00 813	18P5733	155

Inches are for reference only. Use metric for precise measurements.

Technical references and CAD downloads available at www.hammondmfg.com

All dimensions in inches unless specified otherwise

Quality Products. Service Excellence.