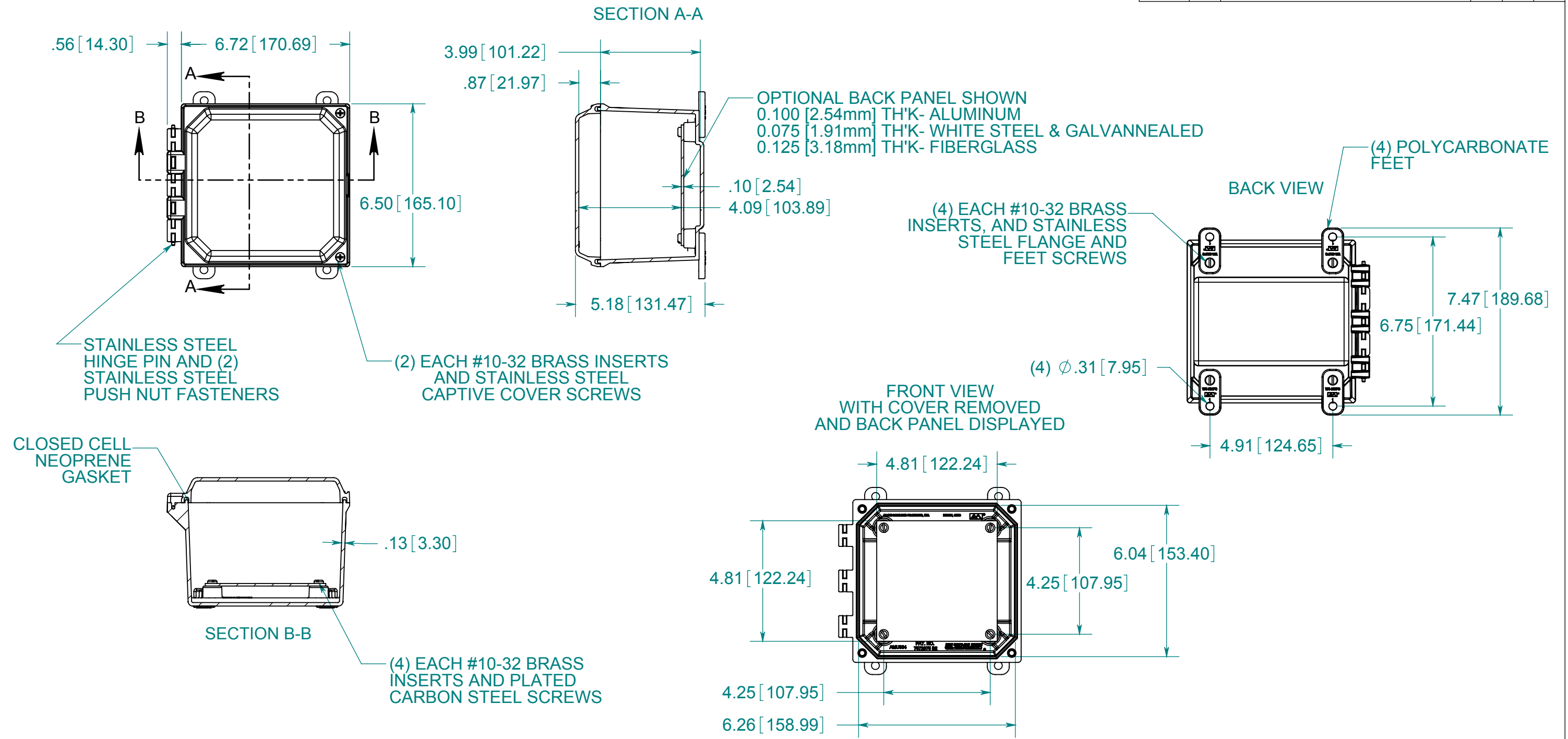
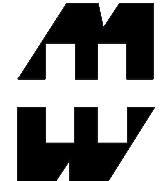


DATE	REV.	DESCRIPTION	DR	CK	REL



MATERIAL:
BOX- COMPRESSION MOLDED FIBERGLASS REINFORCED POLYESTER
COVER- COMPRESSION MOLDED FIBERGLASS REINFORCED POLYESTER
CLEAR COVER AND WINDOWS- POLYCARBONATE



PART No. PJU664H
for more information visit
www.hammfg.com
Data subject to change without notice
Drawing Not to Scale