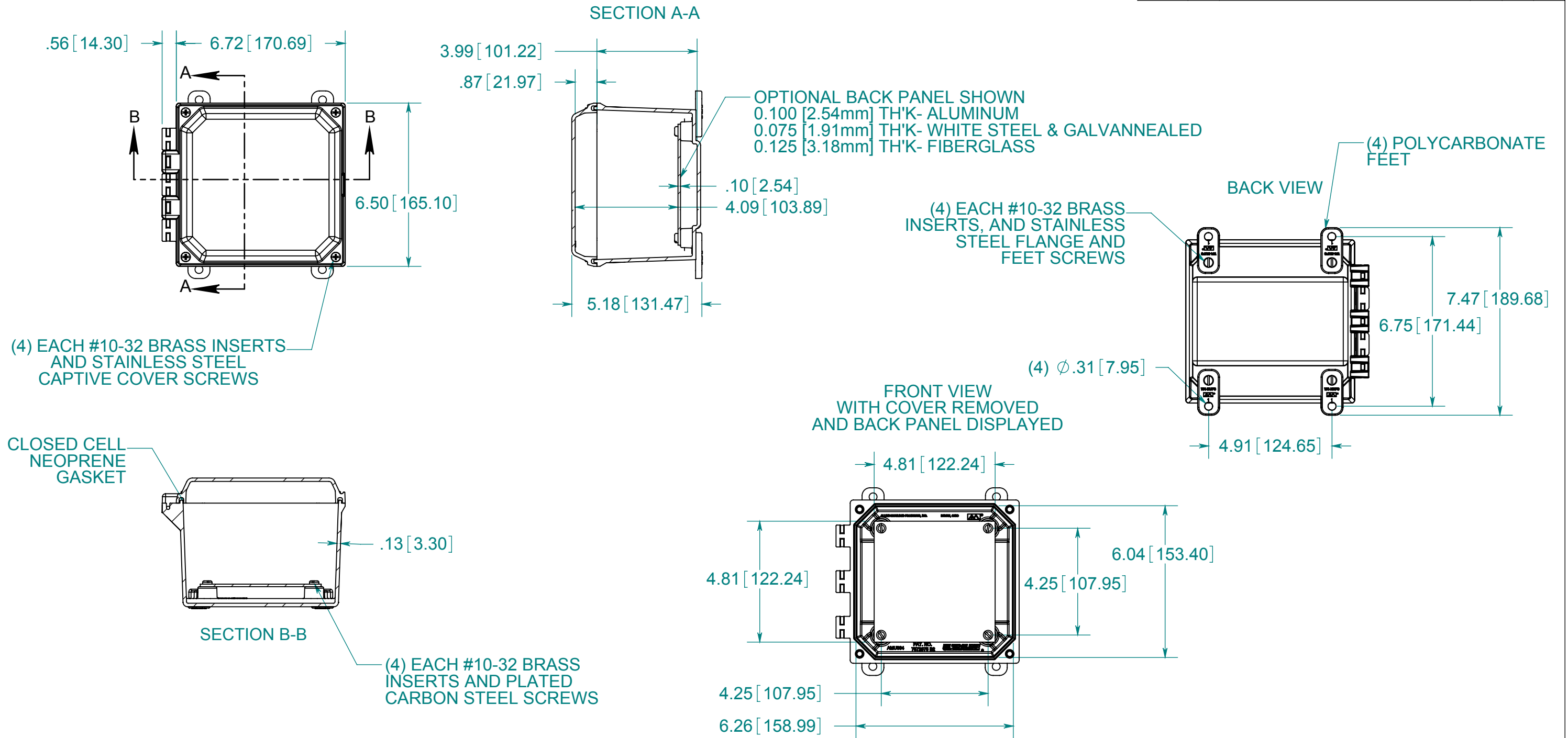
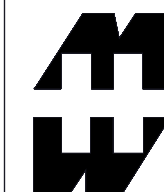


DATE	REV.	DESCRIPTION	DR	CK	REL



**MATERIAL:**  
BOX- COMPRESSION MOLDED FIBERGLASS REINFORCED POLYESTER  
COVER- COMPRESSION MOLDED FIBERGLASS REINFORCED POLYESTER  
CLEAR COVER AND WINDOWS- POLYCARBONATE



**PART No. PJU664CC**  
for more information visit  
[www.hammfg.com](http://www.hammfg.com)  
Data subject to change without notice  
Drawing Not to Scale