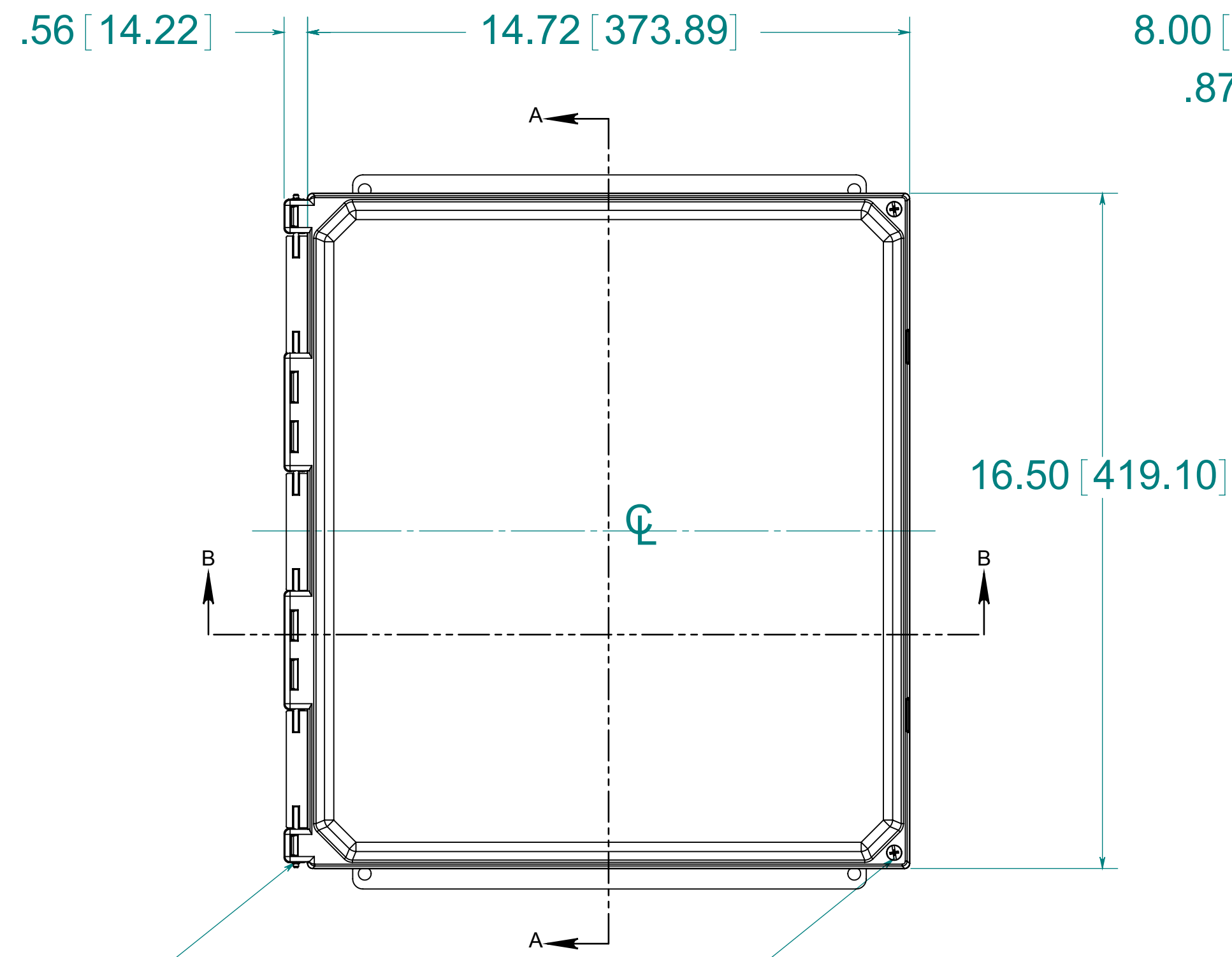
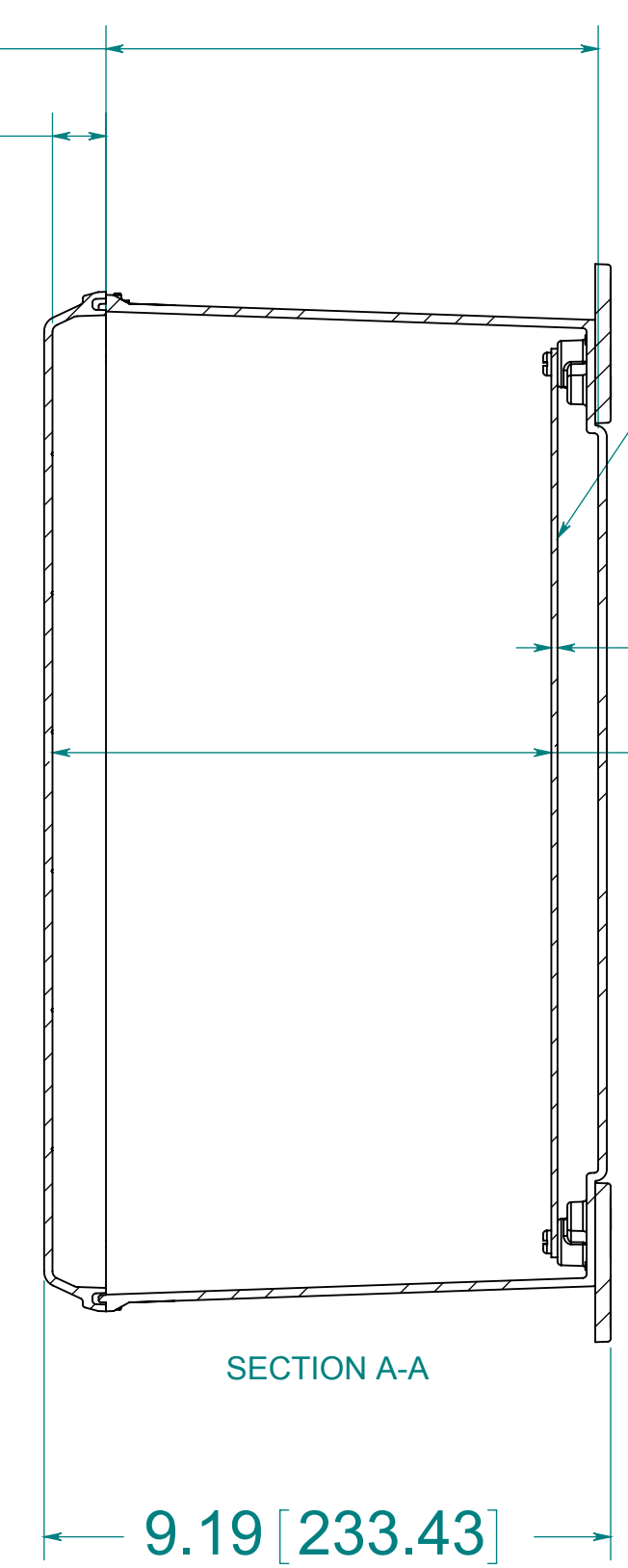


| DATE | SYM. | DESCRIPTION | DR | CK | REL |
|------|------|-------------|----|----|-----|
| | | | | | |
| | | | | | |



STAINLESS STEEL HINGE PIN AND (2) STAINLESS STEEL PUSH NUT FASTENERS

(2) EACH #10-32 BRASS INSERTS AND STAINLESS STEEL CAPTIVE COVER SCREWS WITH RETAINING O-RING



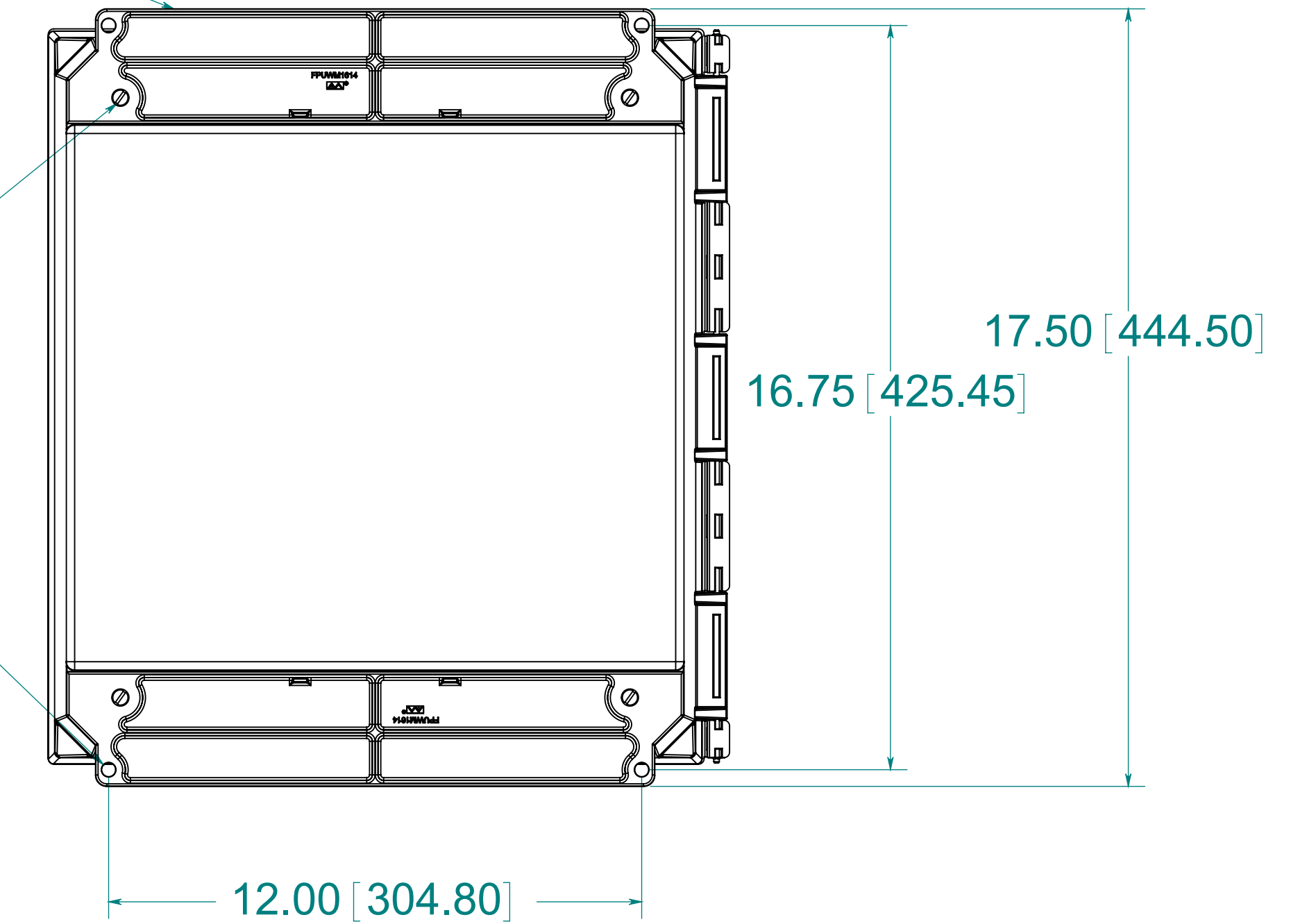
OPTIONAL BACK PANEL
 0.100 [2.54] TH'K- ALUMINUM
 0.075 [1.91] TH'K- WHITE STEEL & GALVANNEALED
 0.125 [3.18] TH'K- FIBERGLASS

(2) POLYCARBONATE FLANGE (GLUED)

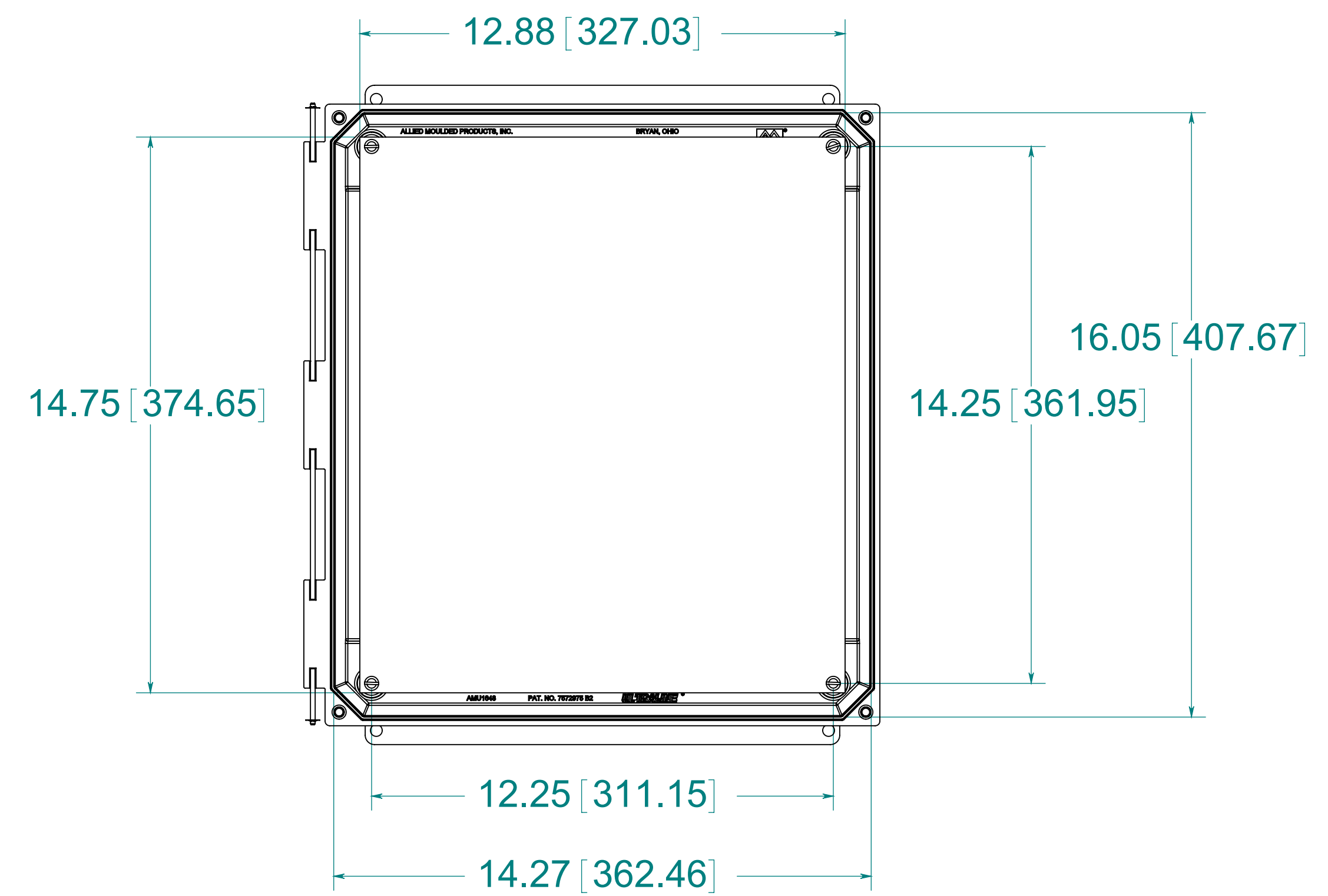
(4) EACH #10-32 BRASS INSERTS, AND STAINLESS STEEL FLANGE AND FEET SCREWS

(4) ϕ .31 [7.95]

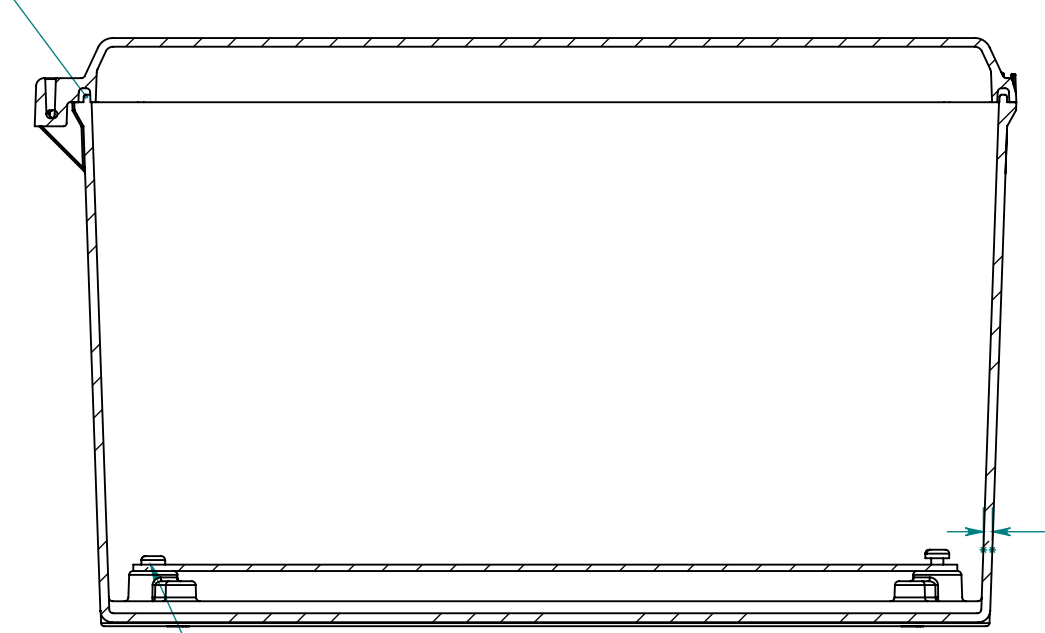
BACK VIEW



FRONT VIEW WITH COVER REMOVED AND BACK PANEL DISPLAYED



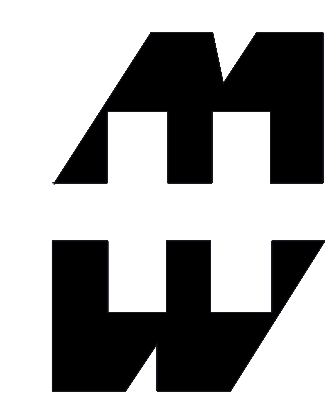
CLOSED CELL NEOPRENE GASKET



SECTION B-B

(4) EACH #10-32 BRASS INSERTS AND PLATED CARBON STEEL SCREWS

MATERIAL:
 BOX- COMPRESSION MOLDED FIBERGLASS REINFORCED POLYESTER
 COVER- COMPRESSION MOLDED FIBERGLASS REINFORCED POLYESTER
 CLEAR COVER AND WINDOWS- POLYCARBONATE



PART No. PJU1648CCHF
 for more information visit www.hammfg.com
 Data subject to change without notice
 Drawing Not to Scale