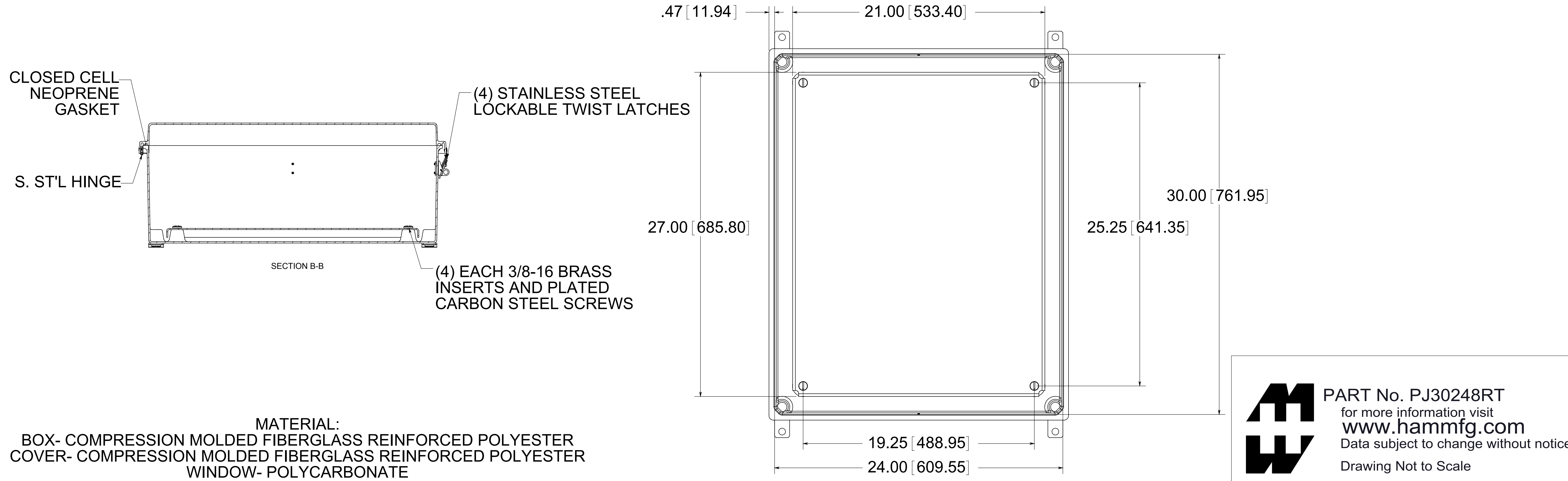
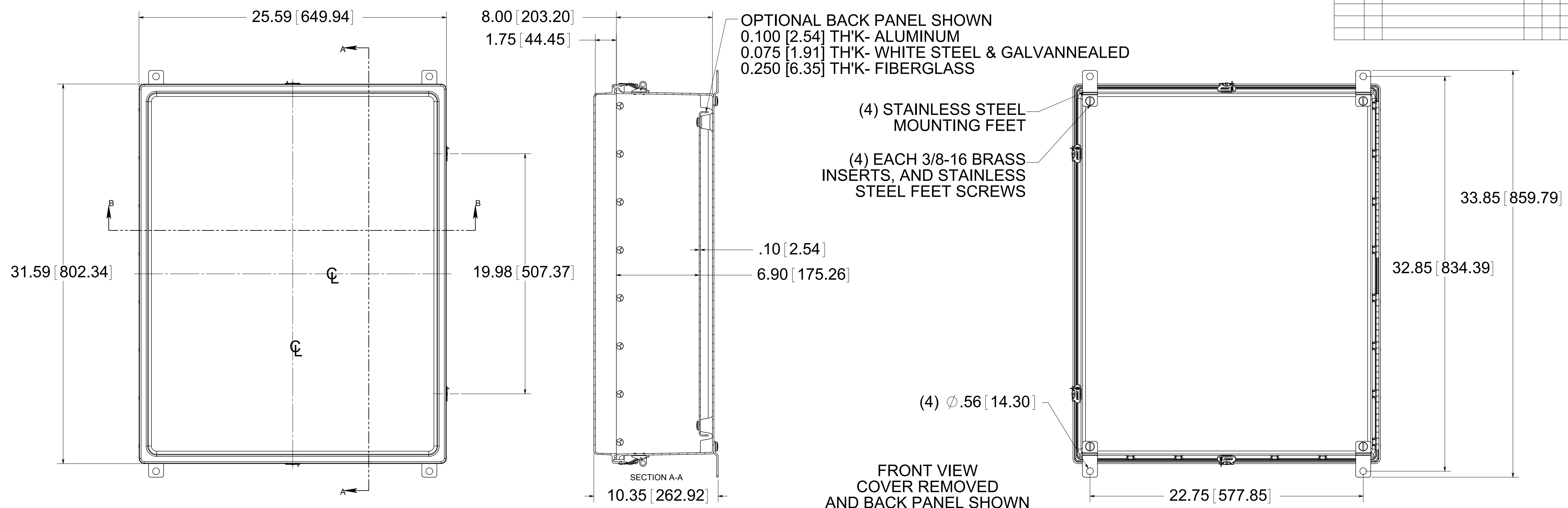


DATE	SYM.	DESCRIPTION	DR	CK	REL



PART No. PJ30248RT
 for more information visit
www.hammfg.com
 Data subject to change without notice
 Drawing Not to Scale