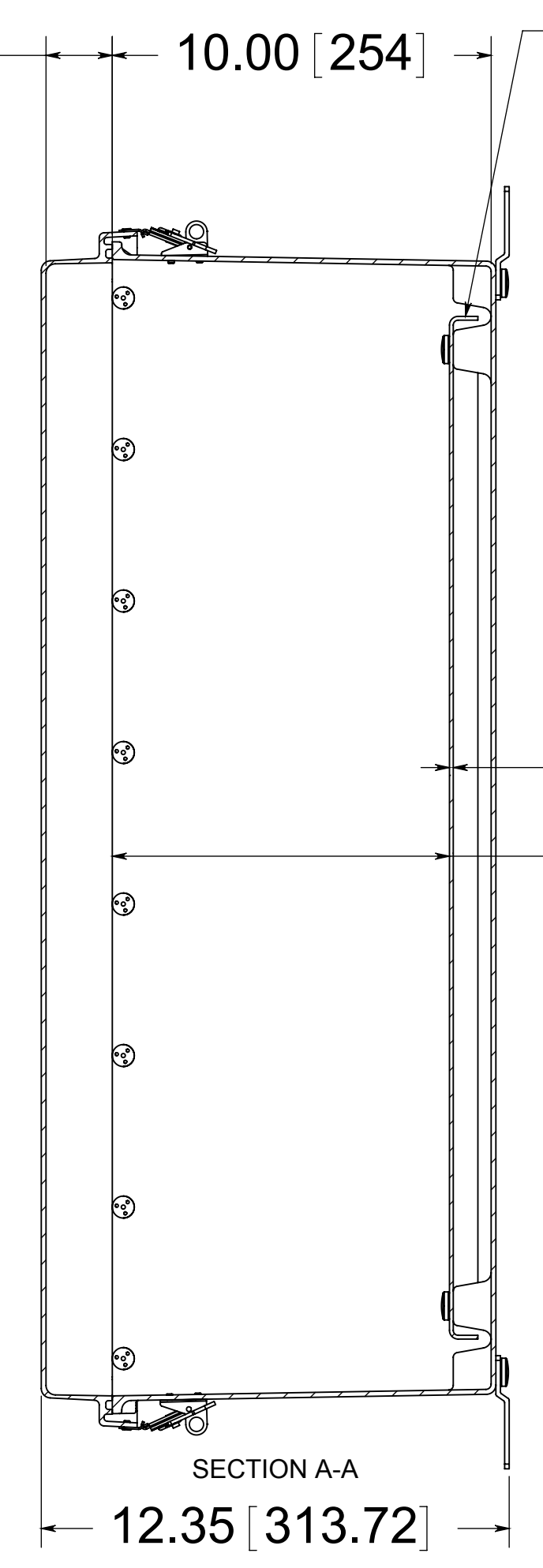
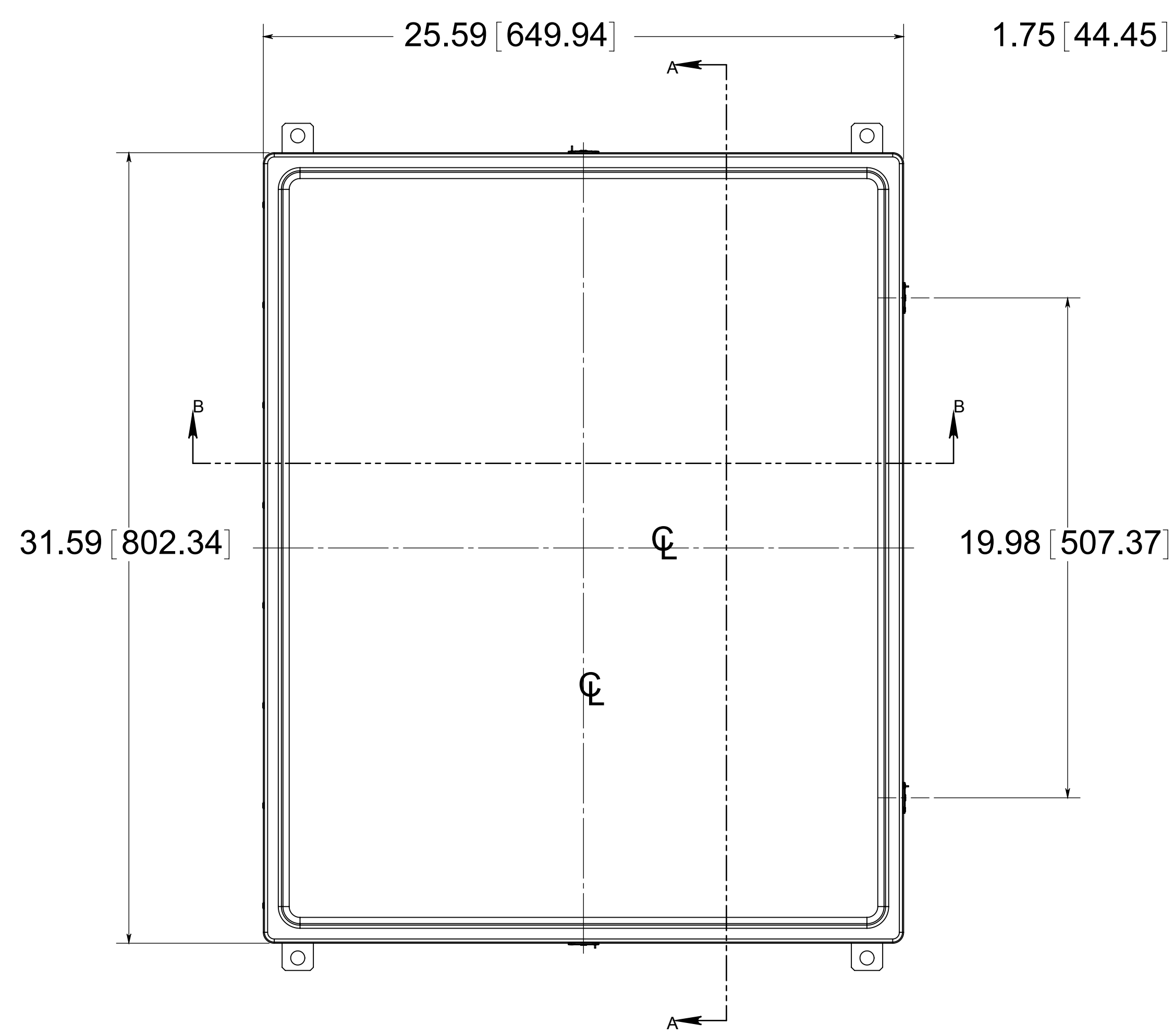
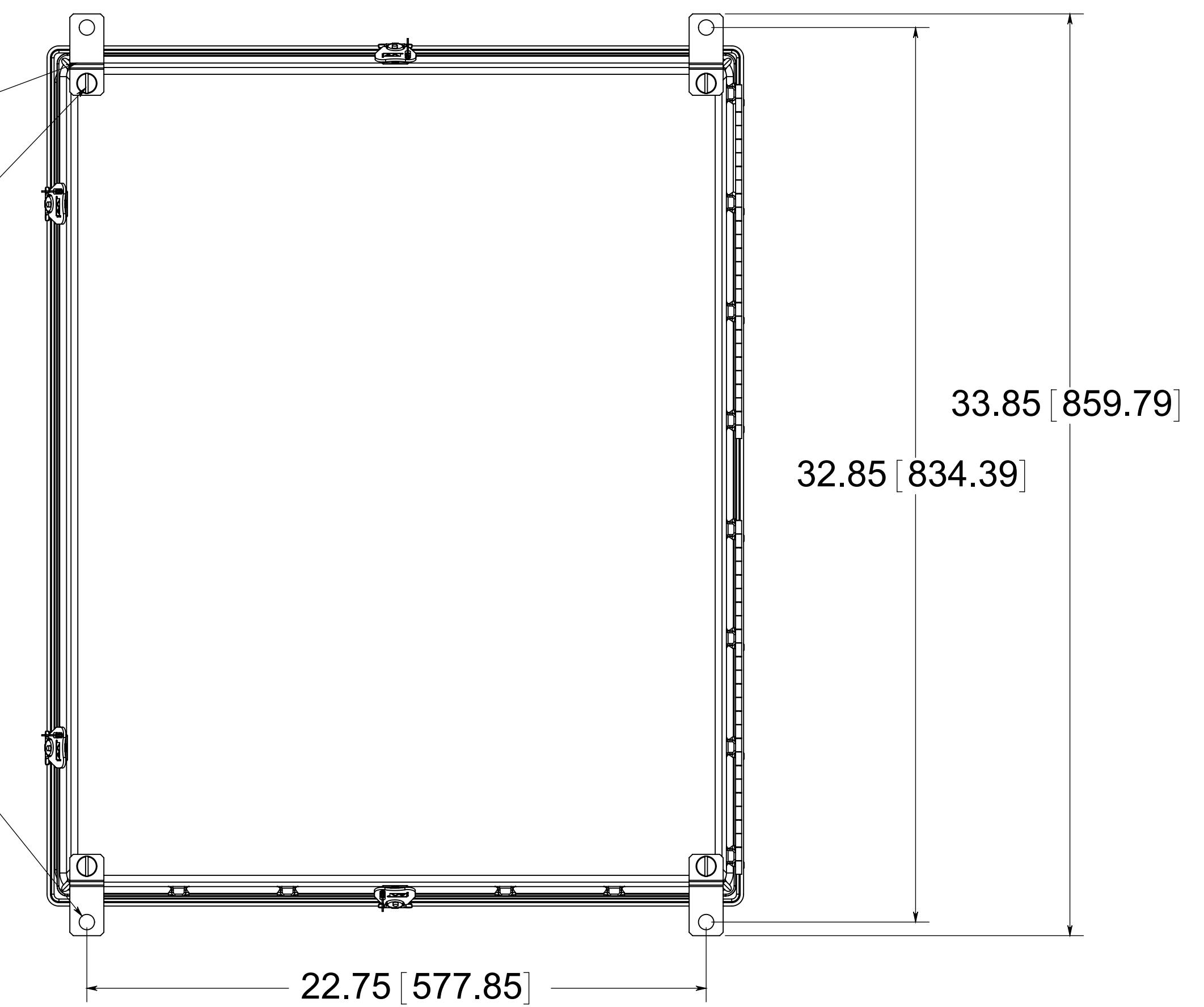


DATE	SYM.	DESCRIPTION	DR	CK	REL



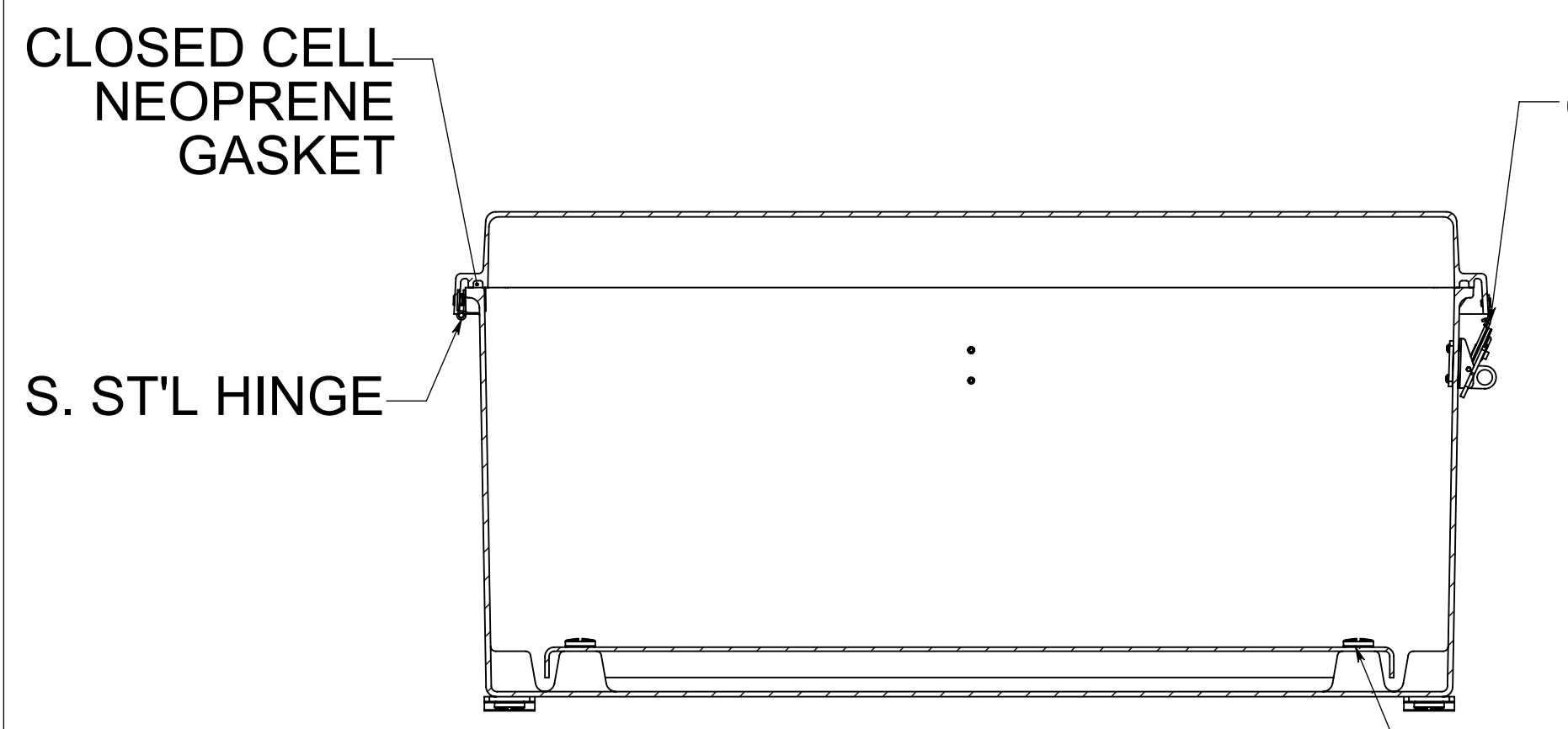
OPTIONAL BACK PANEL SHOWN
 0.100 [2.54] TH'K- ALUMINUM
 0.075 [1.91] TH'K- WHITE STEEL & GALVANNEALED
 0.250 [6.35] TH'K- FIBERGLASS

(4) STAINLESS STEEL MOUNTING FEET
 (4) EACH 3/8-16 BRASS INSERTS, AND STAINLESS STEEL FEET SCREWS



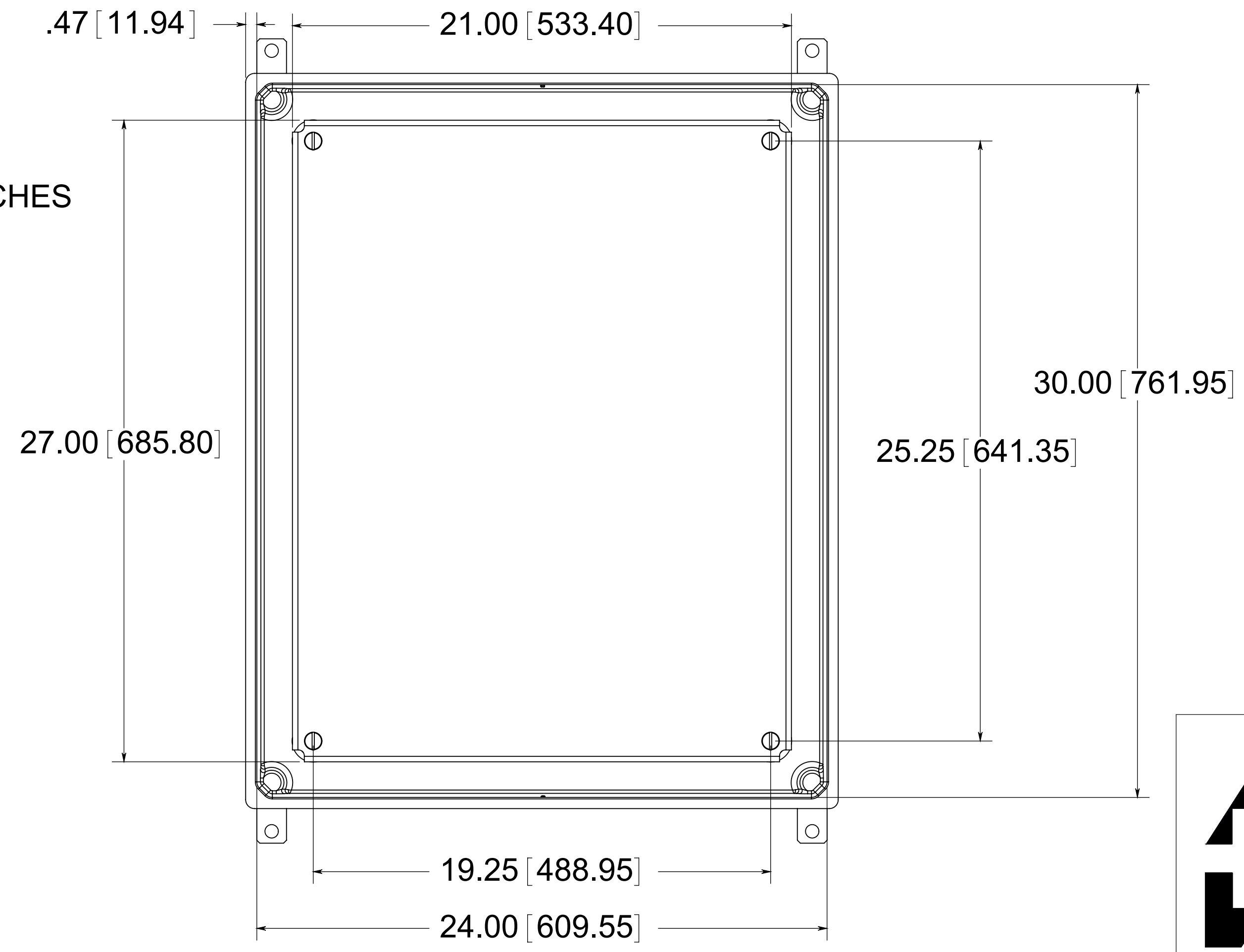
(4) Ø.56 [14.30]

FRONT VIEW WITH COVER REMOVED AND BACK PANEL SHOWN

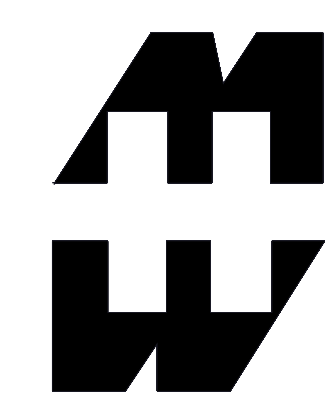


SECTION B-B

(4) EACH 3/8-16 BRASS INSERTS AND PLATED CARBON STEEL SCREWS



MATERIAL:
 BOX- COMPRESSION MOLDED FIBERGLASS REINFORCED POLYESTER
 COVER- COMPRESSION MOLDED FIBERGLASS REINFORCED POLYESTER
 WINDOW- POLYCARBONATE



PART No. PJ30240RT
 for more information visit www.hammfg.com
 Data subject to change without notice
 Drawing Not to Scale