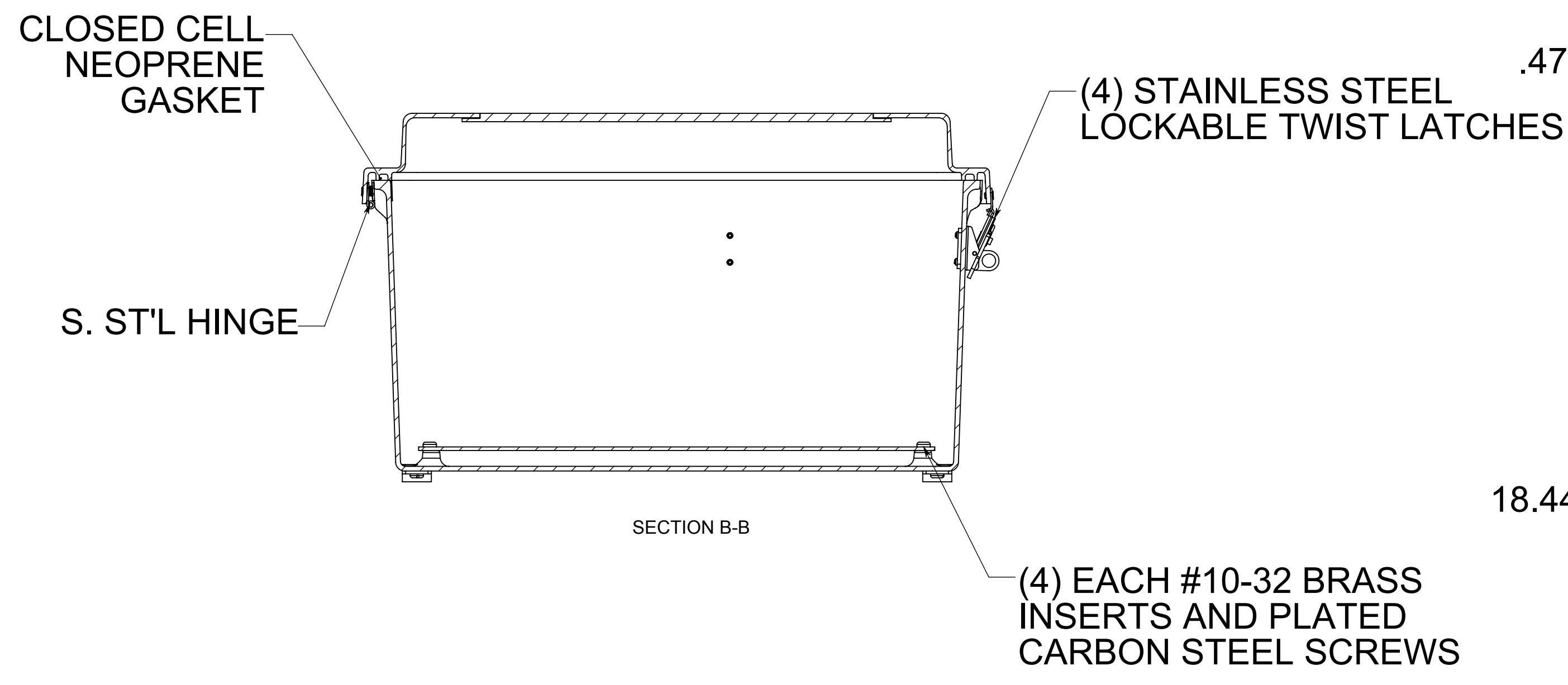
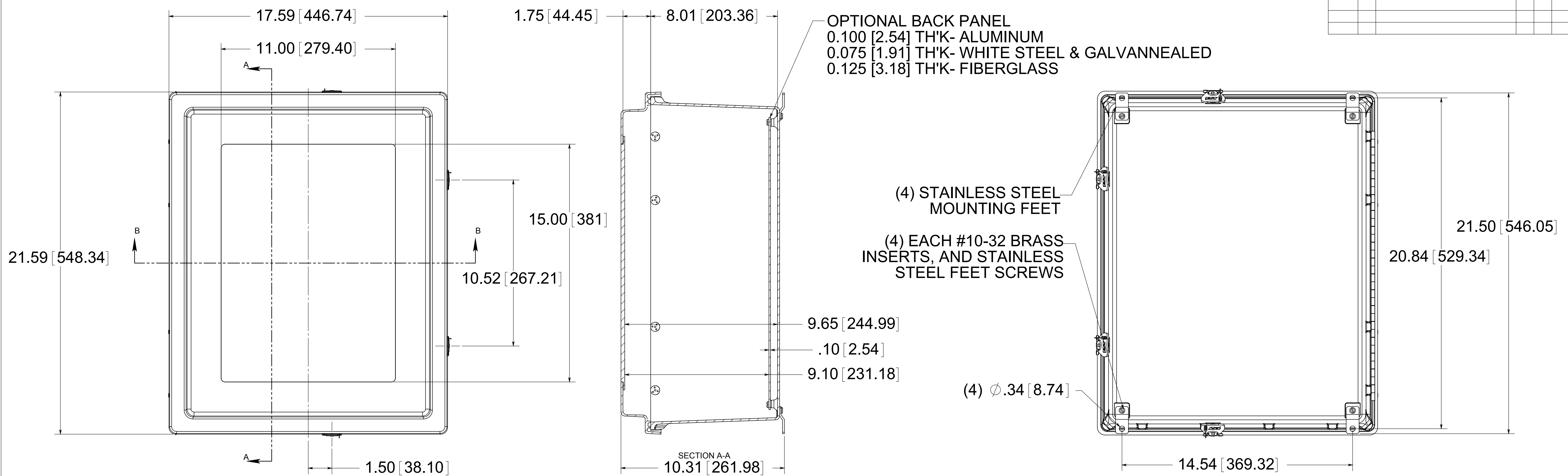
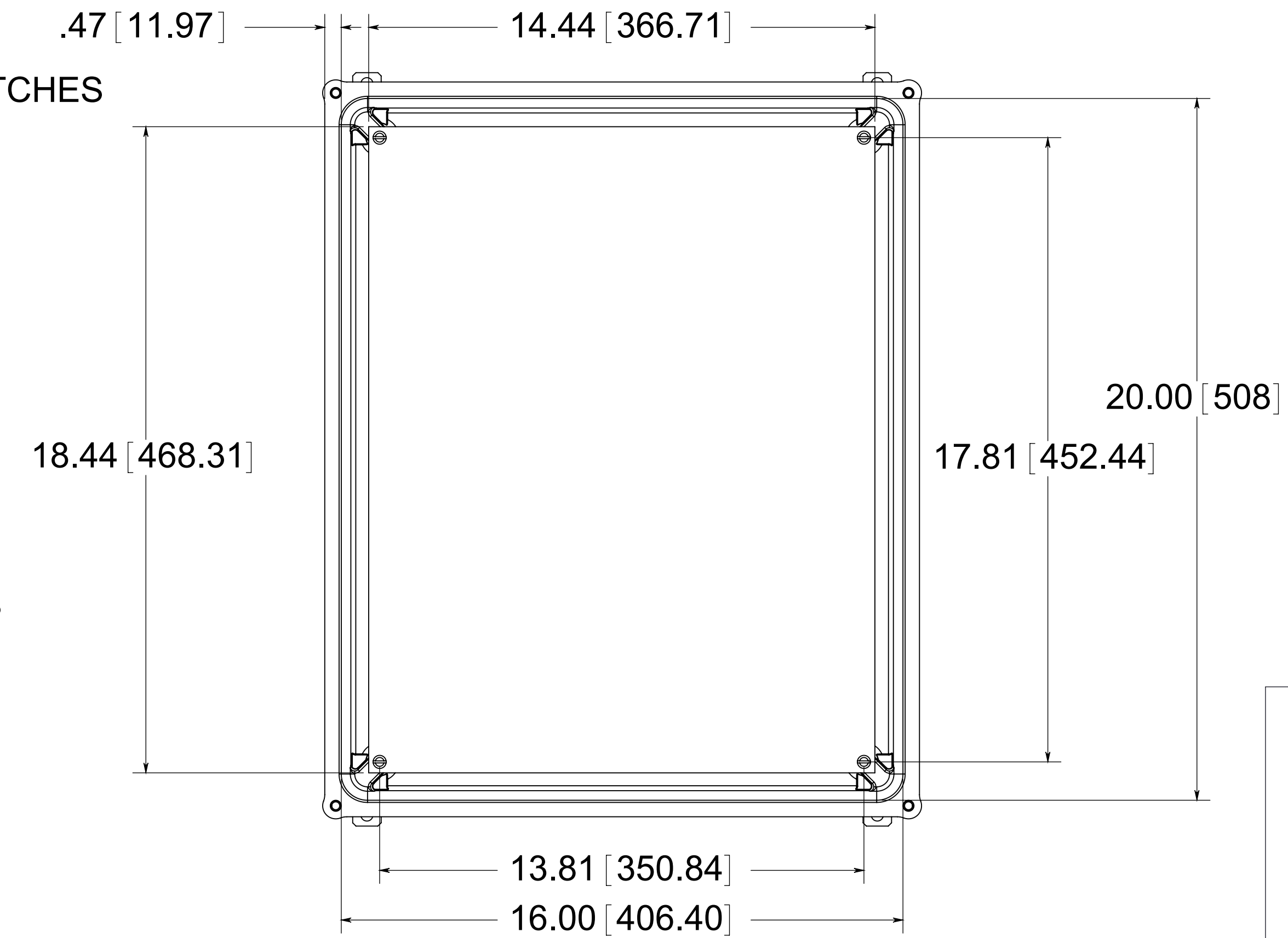


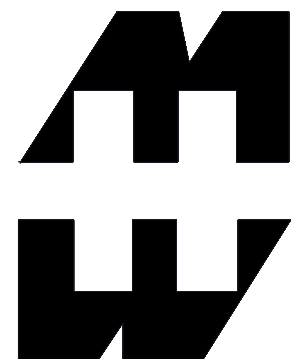
DATE	SYM.	DESCRIPTION	DR	CK	REL



FRONT VIEW WITH COVER REMOVED AND BACK PANEL SHOWN



MATERIAL:
BOX-COMPRESSION MOLDED FIBERGLASS REINFORCED POLYESTER
COVER- COMPRESSION MOLDED FIBERGLASS REINFORCED POLYESTER
WINDOW- POLYCARBONATE



PART No. PJ2068RTW
for more information visit
www.hammfg.com
Data subject to change without notice
Drawing Not to Scale