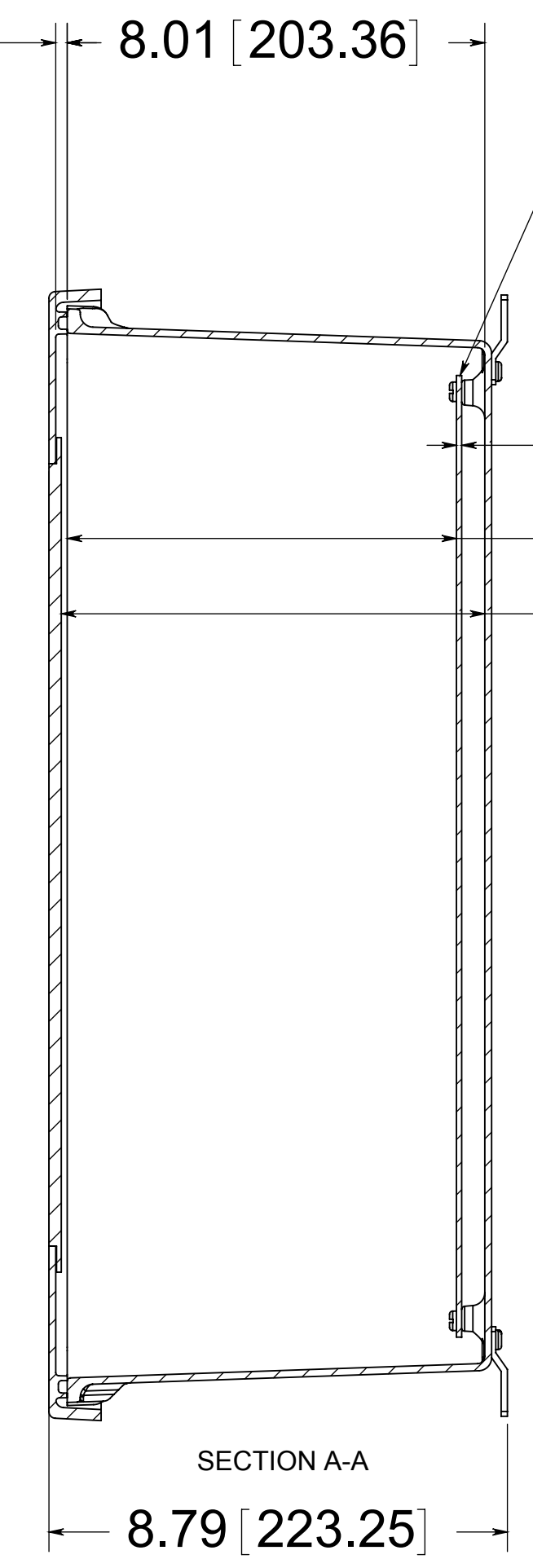
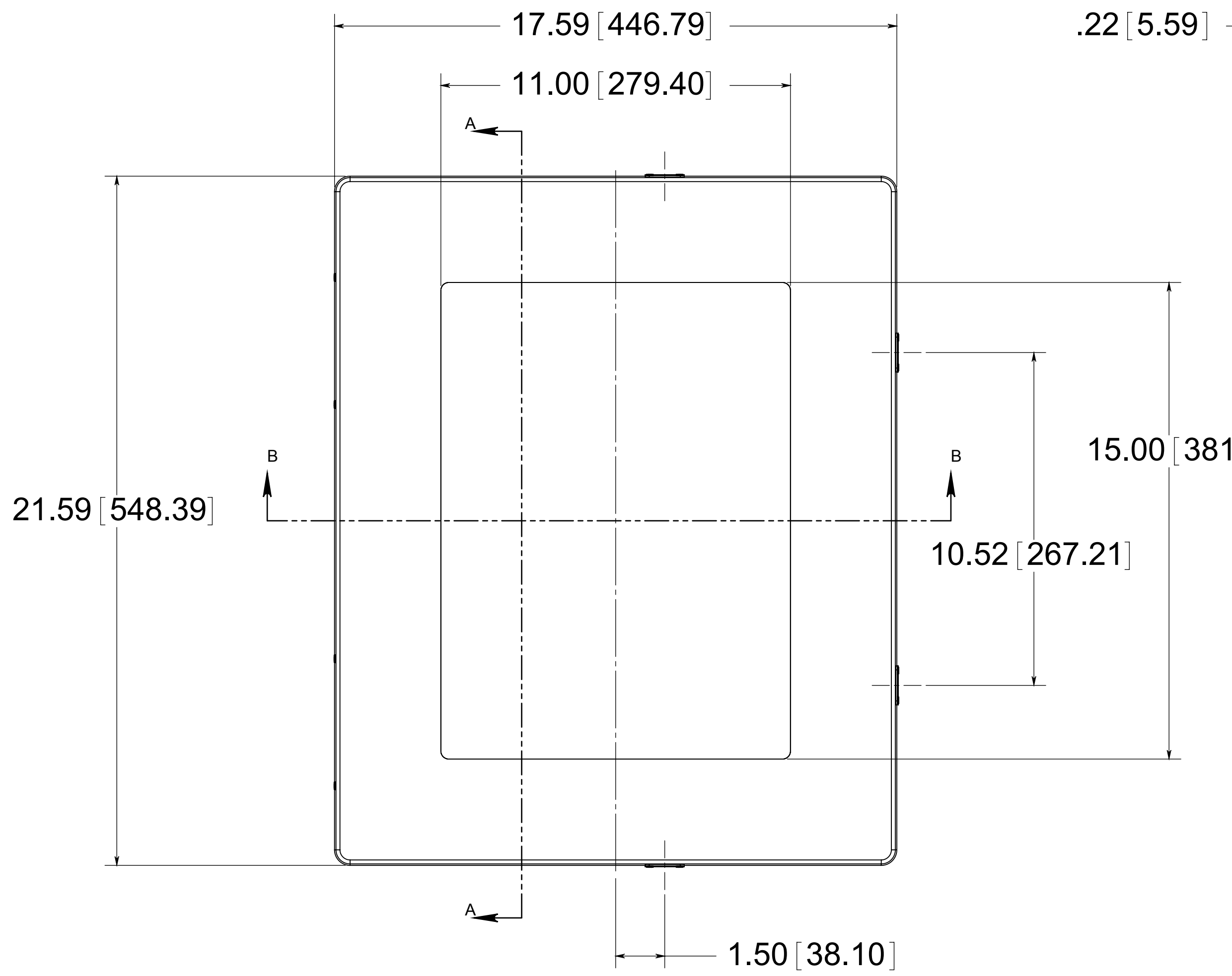
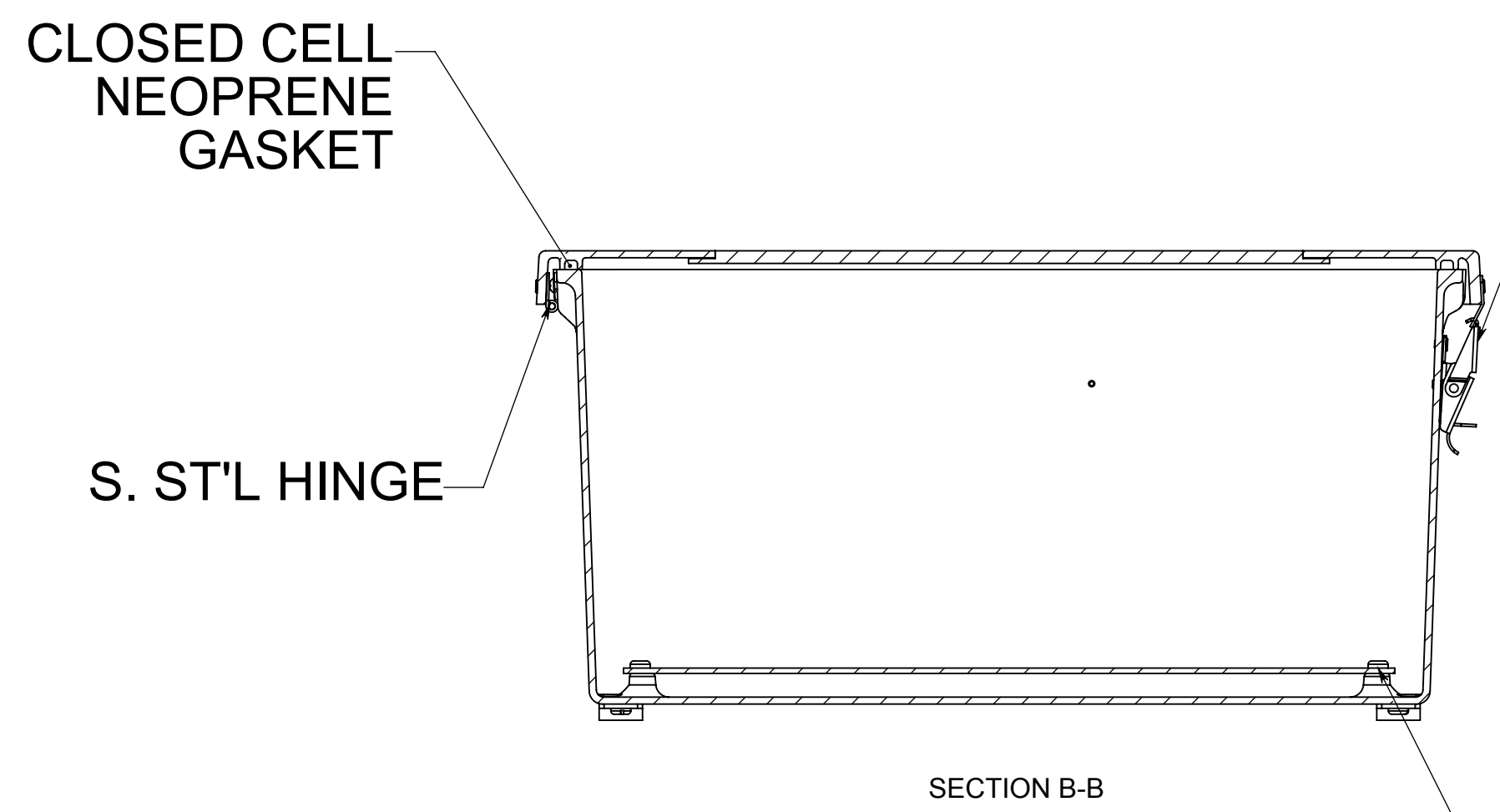
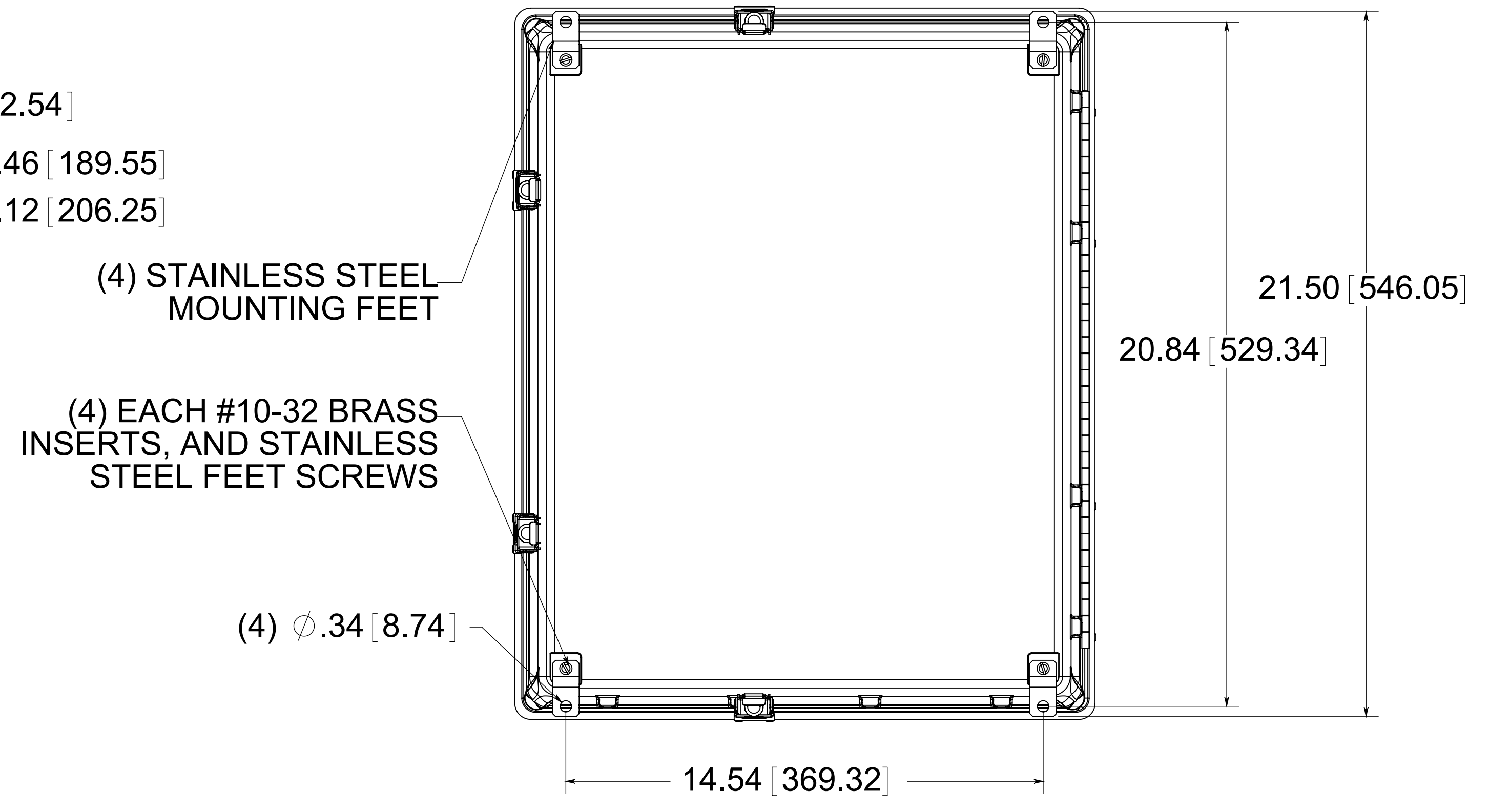


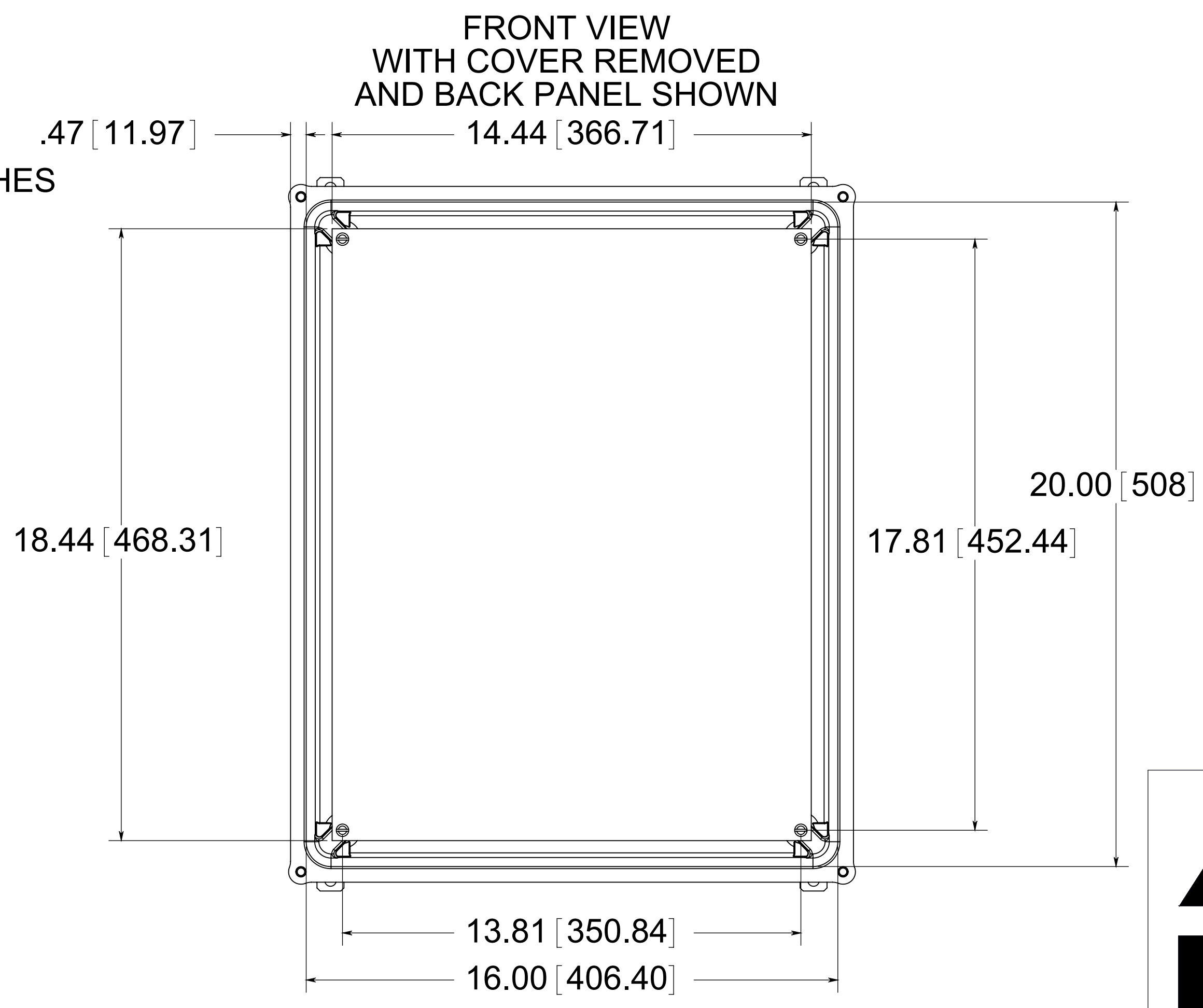
DATE	SYM.	DESCRIPTION	DR	CK	REL



OPTIONAL BACK PANEL  
 0.100 [2.54] TH'K- ALUMINUM  
 0.075 [1.91] TH'K- WHITE STEEL & GALVANNEALED  
 0.125 [3.18] TH'K- FIBERGLASS



(4) STAINLESS STEEL LOCKABLE SNAP LATCHES  
 (4) EACH #10-32 BRASS INSERTS AND PLATED CARBON STEEL SCREWS



**MATERIAL:**  
 BOX-COMPRESSION MOLDED FIBERGLASS REINFORCED POLYESTER  
 COVER- COMPRESSION MOLDED FIBERGLASS REINFORCED POLYESTER  
 WINDOW- POLYCARBONATE

**PART No. PJ2068LW**  
 for more information visit  
[www.hammfg.com](http://www.hammfg.com)  
 Data subject to change without notice  
 Drawing Not to Scale