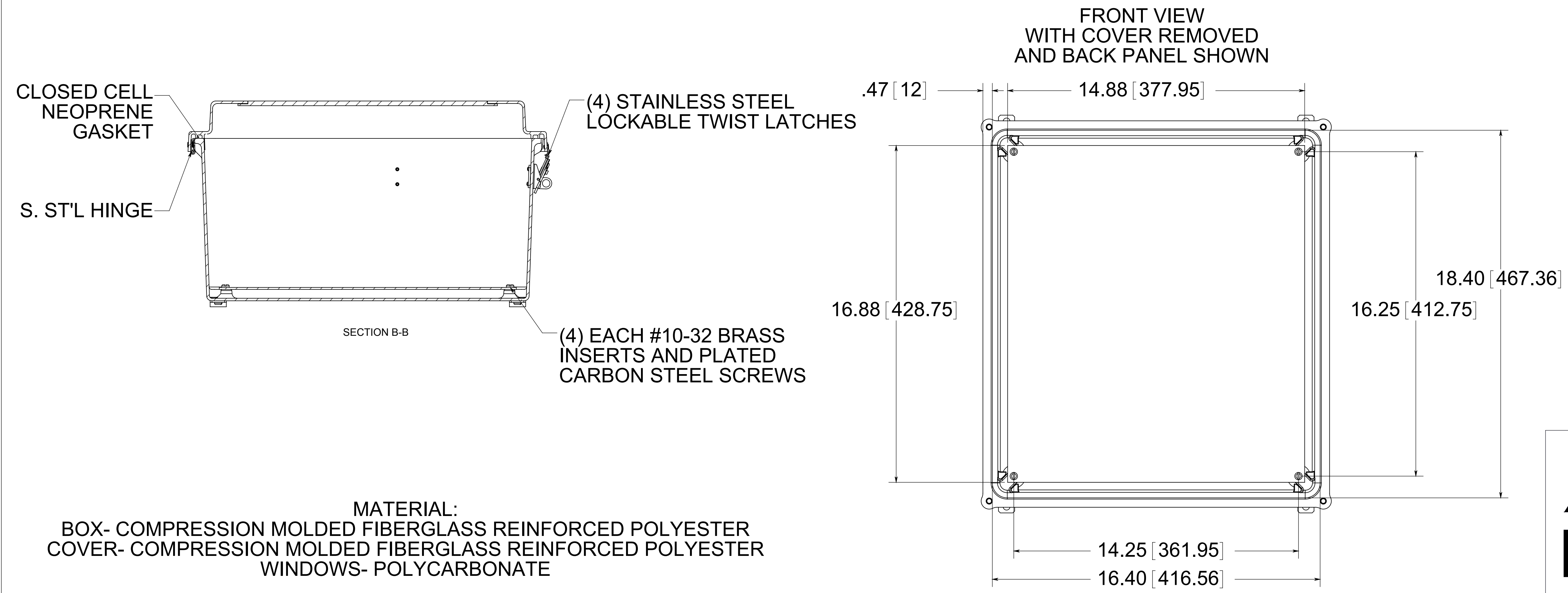
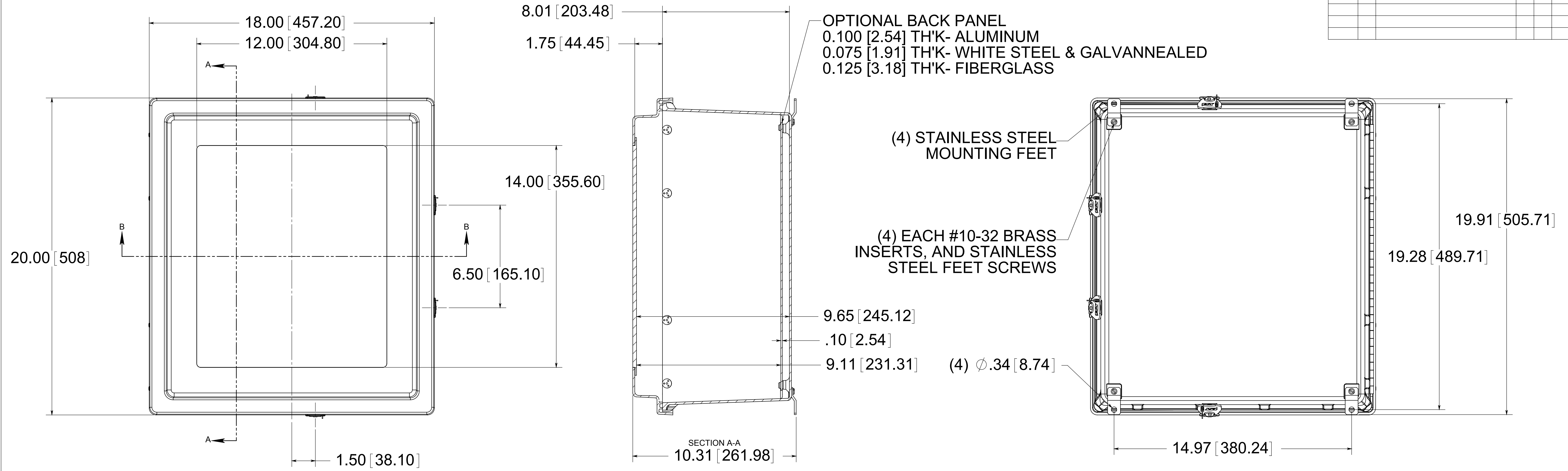


DATE	SYM.	DESCRIPTION	DR	CK	REL



PART No. PJ1868RTW
for more information visit
www.hammfg.com
Data subject to change without notice
Drawing Not to Scale