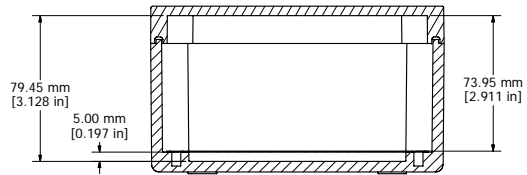
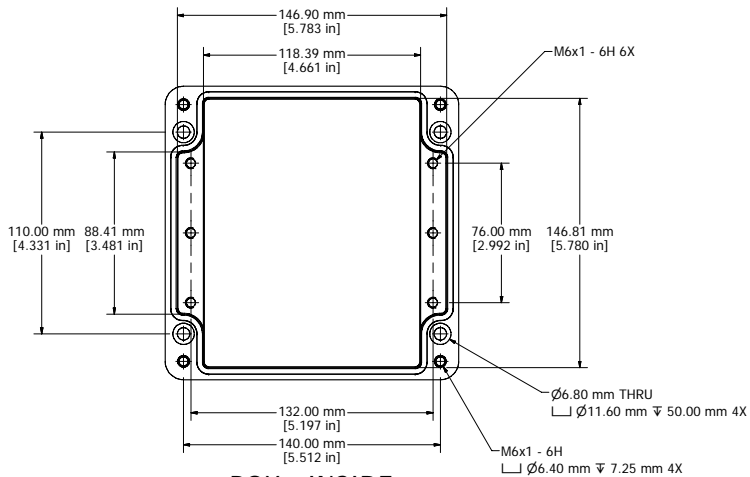


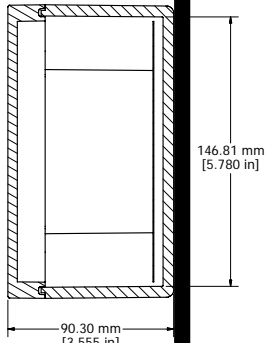
ASSEMBLY



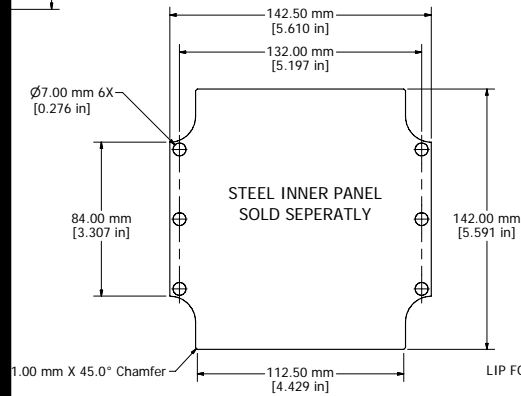
SECTION B-B



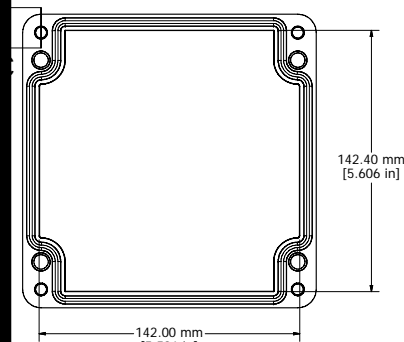
BOX - INSIDE



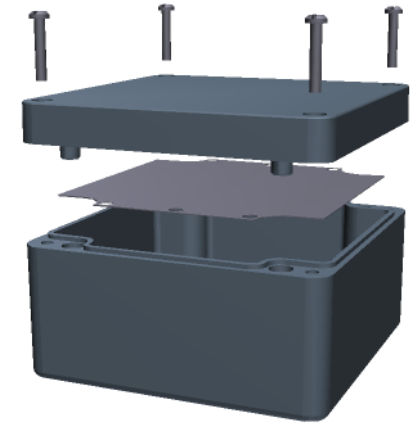
SECTION A-A



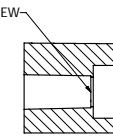
INNER PANEL



LID - INSIDE



(Interactive Model)



SECTION C-C

UL US LISTED
File #E65324
NEMA 4, 4X

FIBERGLASS ENCLOSURE	
INCLUDES	
1	ENCLOSURE
4	M6 x 28mm PAN HEAD SCREWS
ACCESSORIES	
STEEL INNER PANEL	1590ZGRP161PL

1590ZGRP161