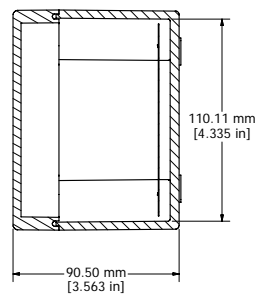
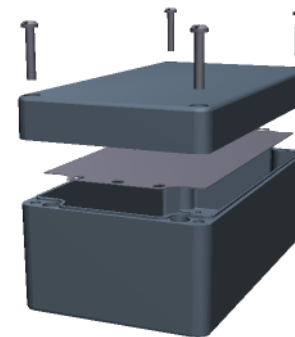


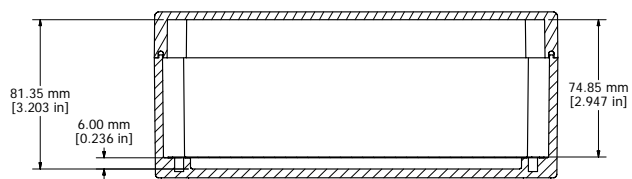
ASSEMBLY



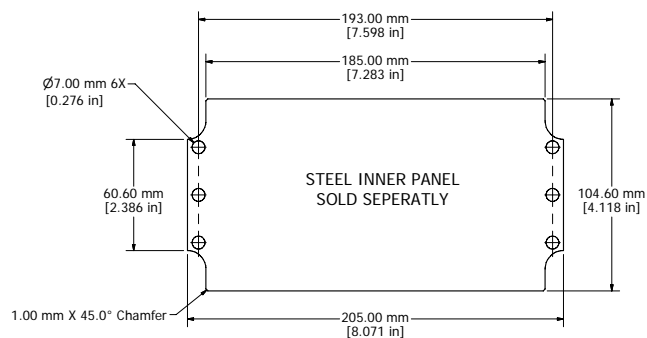
SECTION A-A



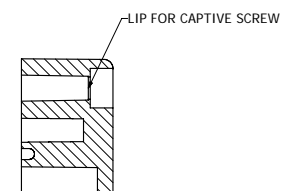
(Interactive Model)



SECTION B-B

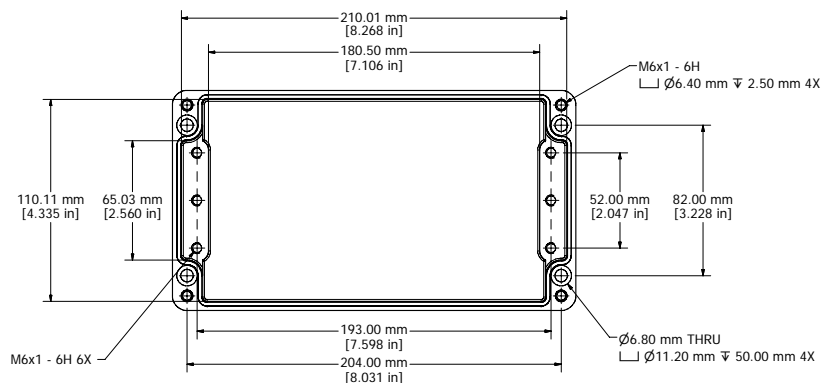


INNER PANEL

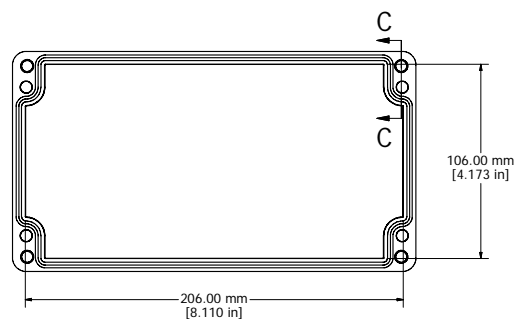


SECTION C-C

UL US LISTED
File #E65324
NEMA 4, 4X



BOX - INSIDE



LID - INSIDE

FIBERGLASS ENCLOSURE	
INCLUDES	
1	ENCLOSURE
4	M5 x 30mm PAN HEAD SCREWS
ACCESSORIES	
STEEL INNER PANEL	1590ZGRP123PL

1590ZGRP123