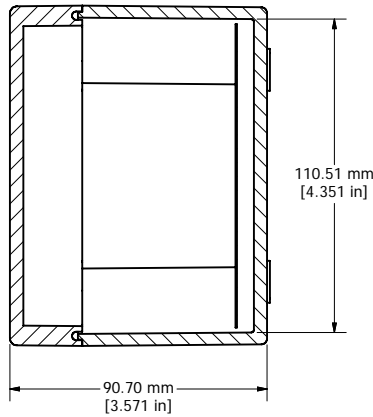
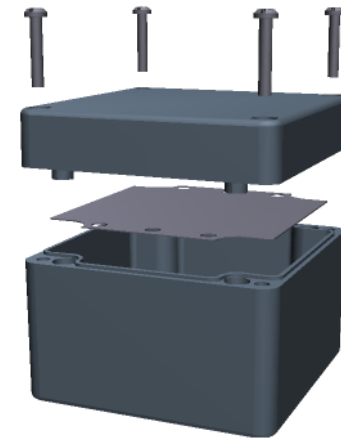


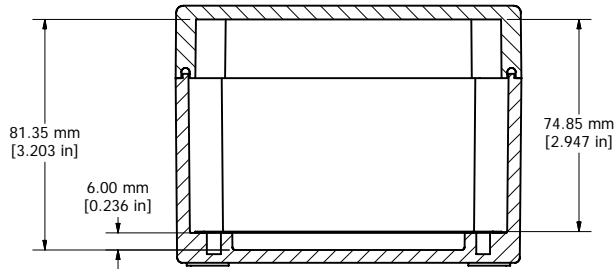
ASSEMBLY



SECTION A-A

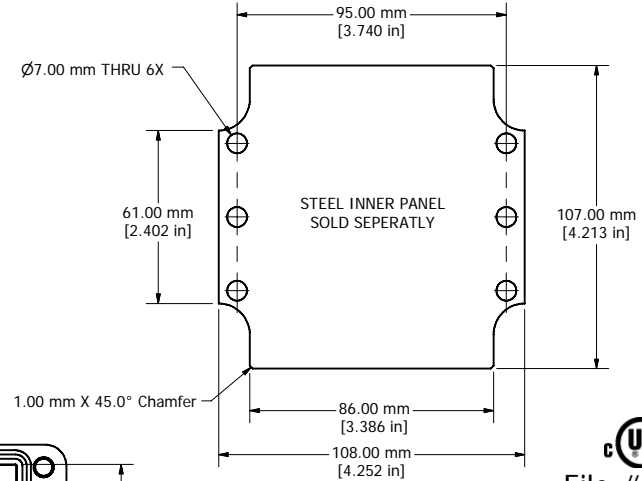
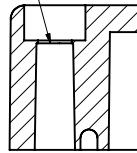


(Interactive Model)



SECTION B-B

LIP FOR CAPTIVE SCREW

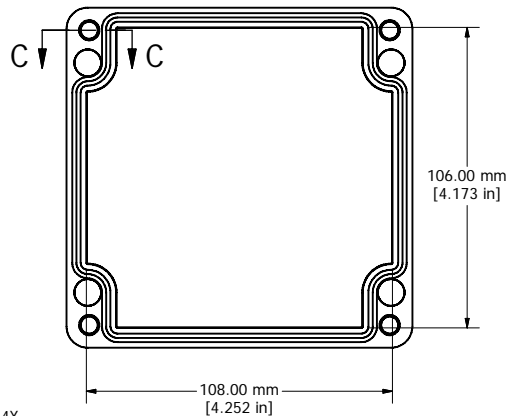


INNER PANEL

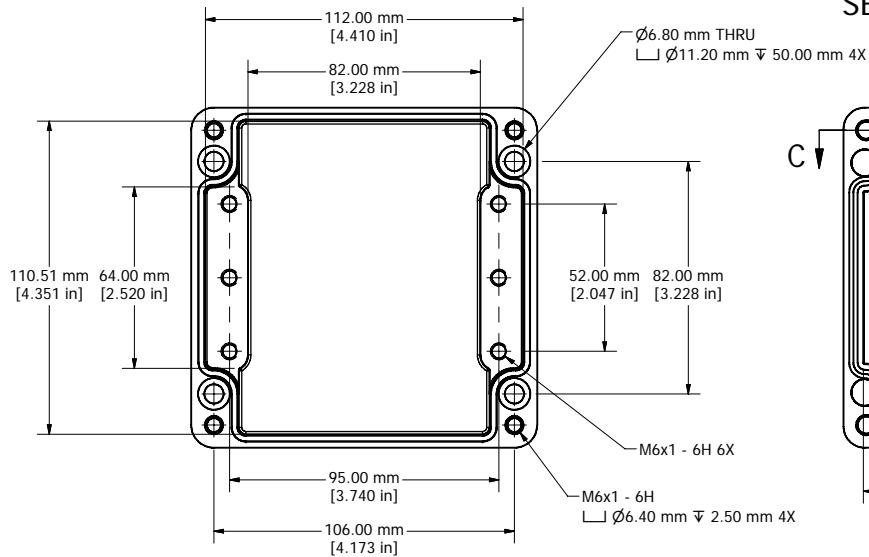


File #E65324  
NEMA 4, 4X

SECTION C-C



LID - INSIDE



BOX - INSIDE

FIBERGLASS ENCLOSURE	
INCLUDES	
1	ENCLOSURE
4	M5 x 30mm PAN HEAD SCREWS
ACCESSORIES	
STEEL INNER PANEL	1590ZGRP121PL

1590ZGRP121