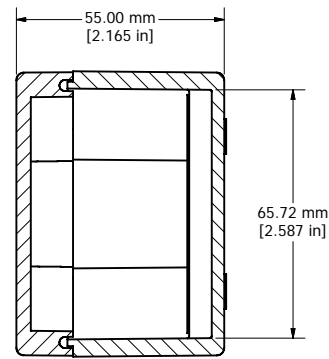
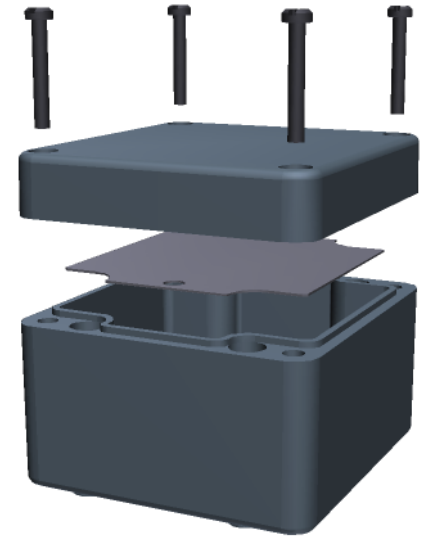


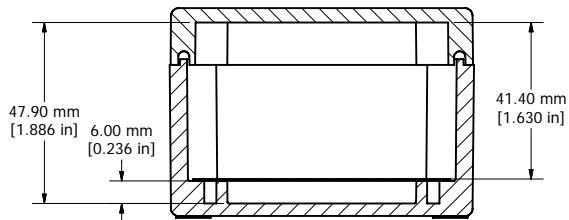
ASSEMBLY



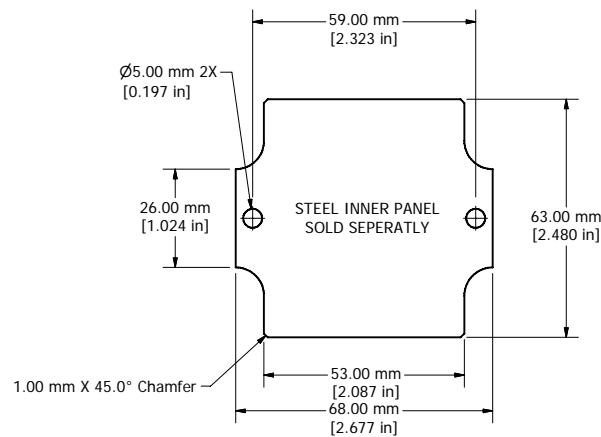
SECTION A-A



(INTERACTIVE MODEL)

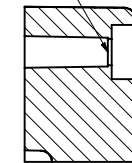


SECTION B-B

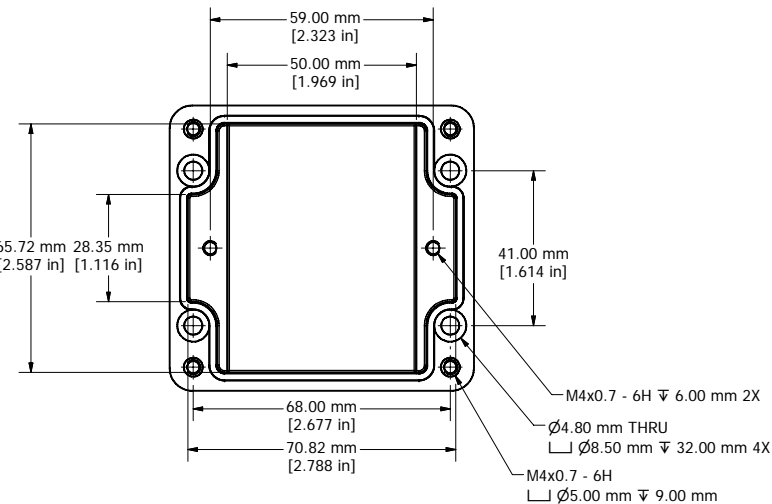


INNER PANEL

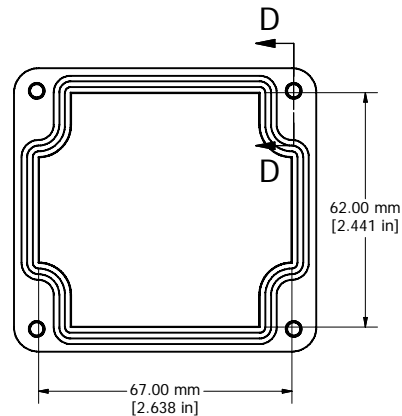
LIP FOR CAPTIVE SCREW



File #E65324  
NEMA 4, 4X



BOX - INSIDE



LID - INSIDE

SECTION D-D

FIBERGLASS ENCLOSURE	
INCLUDES	
1	ENCLOSURE
4	M4 x 25mm PAN HEAD SCREWS
ACCESSORIES	
STEEL INNER PANEL	1590ZGRP081PL

1590ZGRP081