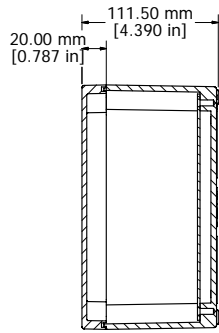
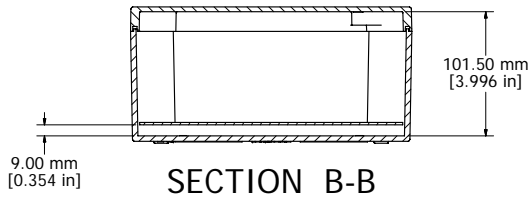


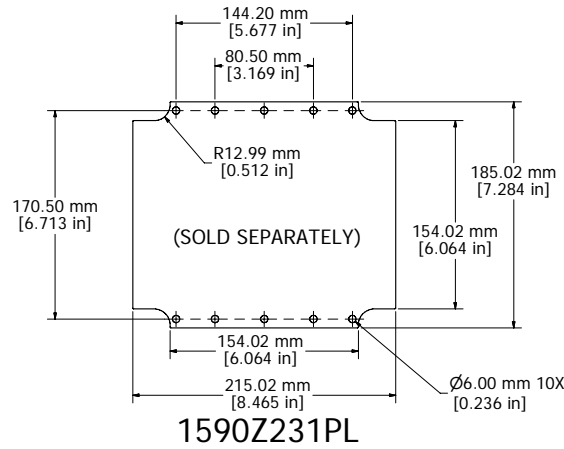
ASSEMBLY



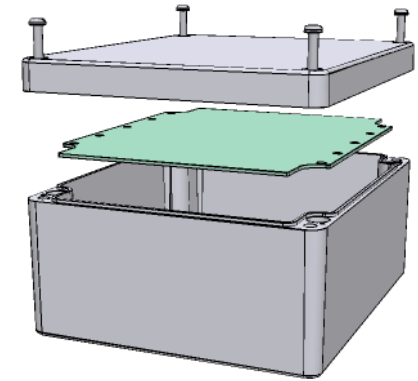
SECTION A-A



SECTION B-B



1590Z231PL



UL US LISTED
File #E65324
NEMA 4, 4X

Enclosures can be Factory Modified (Milling, Drilling, Printing etc.)
Contact Sales sales@grossautomation.com for quotes
Solid models of this enclosure available in STEP or IGES.

NOTES

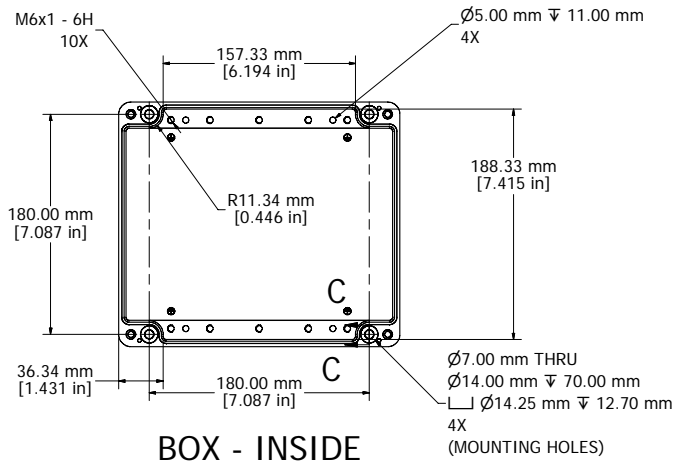
- Purchased assembly includes enclosure, M6x35 lid screws and M6x10 ground screws.
- Gasket - Preformed Silicone Rubber
- Cover screws should be torqued to 15-17 lbf.in (150-170 cN.m)

1590Z231

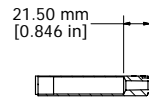
PART NUMBERS

Basic Enclosure	1590Z231
Black Enclosure	1590Z231BK
Grey Enclosure - RAL7001 Gloss	1590Z231GY
ACCESSORIES	
Inner Panel	1590Z231PL

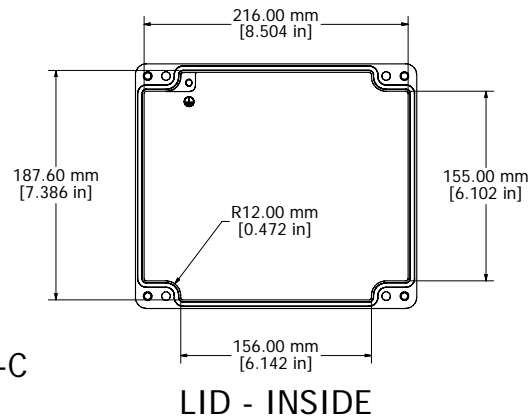
1590Z231



BOX - INSIDE



SECTION C-C



LID - INSIDE