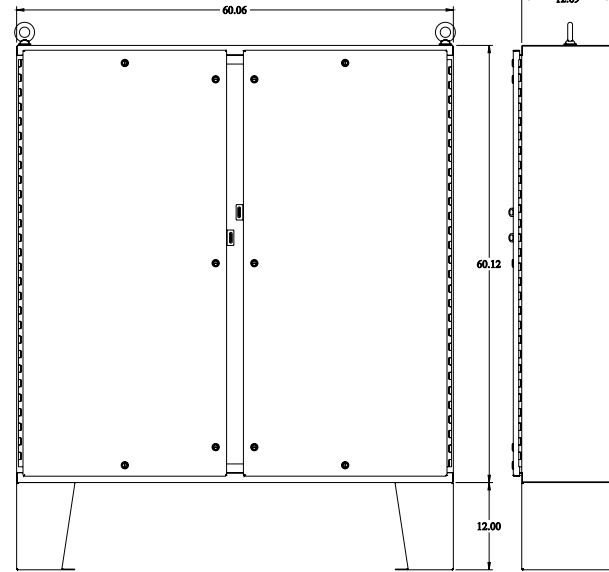


PART No. 1422N4S16D12FQT
for more information visit
www.hammfg.com
Data subject to change without notice
Isometric drawing Not to Scale

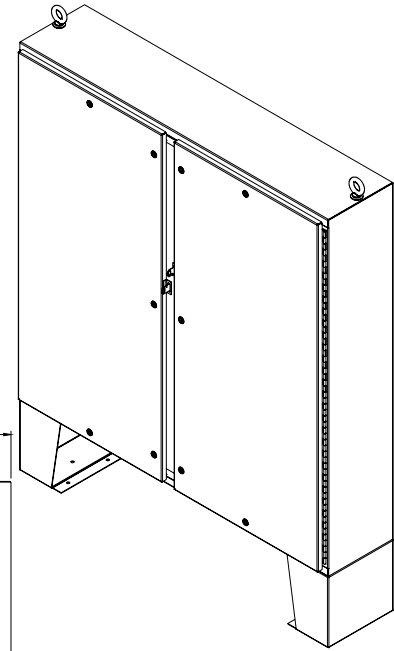


TOP VIEW

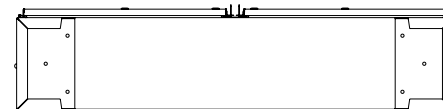


FRONT VIEW

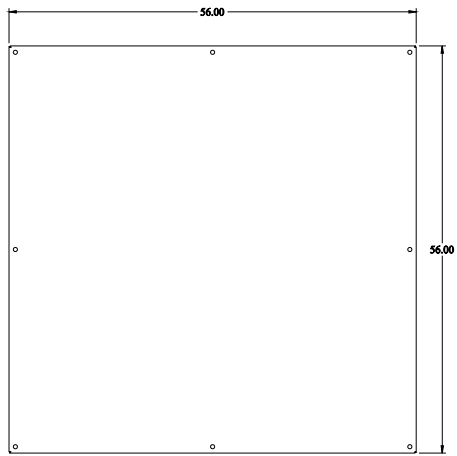
SIDE VIEW



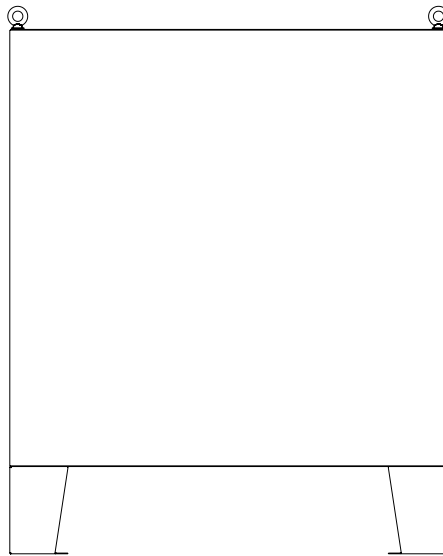
ISOMETRIC VIEW



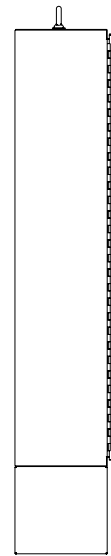
BOTTOM VIEW



INNER PANEL



BACK VIEW



SIDE VIEW