

Medium Hinged Cover Enclosures without Knockouts

NEMA 3R

Commercial Enclosures



Panel
Sold
Separately



Application

- Designed for use as a wiring/ junction box.
- Provides protection against rain, sleet, snow and dripping water.

Standards

- UL-50 Type 3R
- CSA Type 3R
- **Complies with**
 - NEMA Type 3R
 - IEC 60529, IP24

Construction

- Formed and spot welded from 16 or 14 gauge galvanized steel.
- Drip shield top and seam-free sides, front and back.
- Stainless steel continuous hinge.
- Cover fastened with captive plated screws.
- Padlocking hasp.
- Collar studs provided for mounting optional panels.
- External mounting feet.
- Oil resistant gaskets are permanently secured.

Finish

- Enclosure and cover are finished inside and out in ANSI 61 gray powder coating.

Accessories

- Inner Panel...*see below*

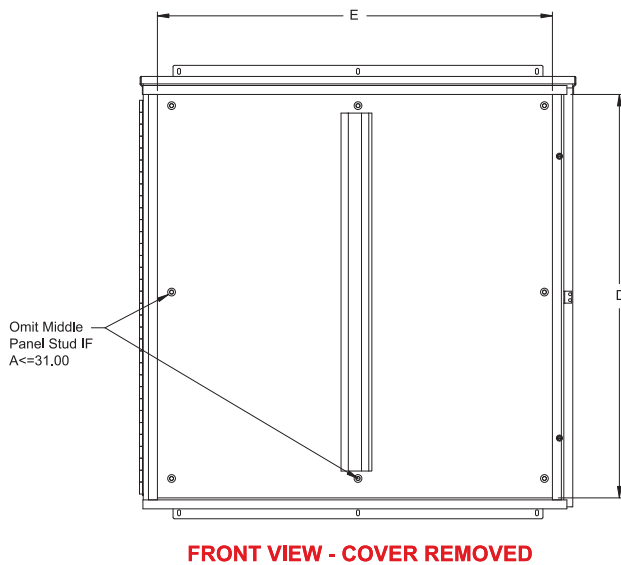
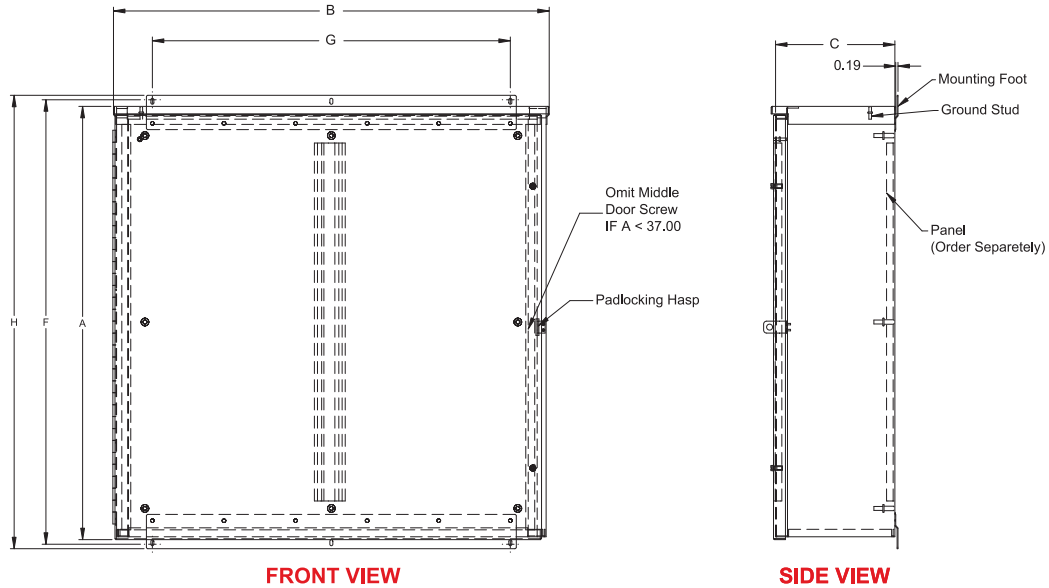
Part No.	Optional Panel Part Number	Panel Size					Mounting		Overall H	Shipping Wt. lbs
		A	B	C	D	E	F	G		
C3R16126HCR	18P1309	16	12	6	13.00	9.00	17.00	5.00	18.00	17
C3R16166HCR	18P1313	16	16	6	13.00	13.00	17.00	13.00	18.00	18
C3R18186HCR	18P1515	18	18	6	15.00	15.00	19.00	13.00	20.00	20
C3R20166HCR	18P1713	20	16	6	17.00	13.00	21.00	13.00	22.00	25
C3R20208HCR	18P1717	20	20	8	17.00	17.00	21.00	13.00	22.00	38
C3R24208HCR	18P2117	24	20	8	21.00	17.00	25.00	13.00	26.00	41
C3R24248HCR	18P2121	24	24	8	21.00	21.00	25.00	13.00	26.00	53
C3R30248HCR	18P2721	30	24	8	27.00	21.00	31.00	13.00	32.00	62
C3R30308HCR	18P2727	30	30	8	27.00	27.00	31.00	27.00	32.00	64
C3R181810HCR	18P1515	18	18	10	15.00	15.00	19.00	13.00	20.00	22
C3R242410HCR	18P2121	24	24	10	21.00	21.00	25.00	13.00	26.00	59
C3R302410HCR	18P2721	30	24	10	27.00	21.00	31.00	13.00	32.00	71

Technical references and CAD downloads available at www.hammondmfg.com

All dimensions in inches unless specified otherwise

Medium Hinged Cover Enclosures without Knockouts

NEMA 3R



Commercial Enclosures

Part No.	Optional Panel Part Number	Panel Size					Mounting		Overall H	Shipping Wt. lbs
		A	B	C	D	E	F	G		
C3R363610HCR	18P3333	36	36	10	33.00	33.00	37.00	30.00	38.00	82
C3R303012HCR	18P2727	30	30	12	27.00	27.00	31.00	27.00	32.00	102
C3R362412HCR	18P3321	36	24	12	33.00	21.00	37.00	13.00	38.00	102
C3R363012HCR	18P3327	36	30	12	33.00	27.00	37.00	27.00	38.00	103
C3R423012HCR	18P3927	42	30	12	39.00	27.00	43.00	27.00	44.00	113
C3R363612HCR	18P3333	36	36	12	33.00	33.00	37.00	27.00	38.00	119
C3R423612HCR	18P3933	42	36	12	39.00	33.00	43.00	27.00	44.00	131
C3R483612HCR	18P4533	48	36	12	45.00	33.00	49.00	27.00	50.00	153
C3R603612HCR	18P5733	60	36	12	57.00	33.00	61.00	27.00	62.00	176
C3R303016HCR	18P2727	30	30	16	27.00	27.00	31.00	27.00	32.00	105
C3R483616HCR	18P4533	48	36	16	45.00	33.00	49.00	27.00	50.00	155

Technical references and CAD downloads available at www.hammondmfg.com

All dimensions in inches unless specified otherwise

Quality Products. Service Excellence.